



PRESS BRAKE

TOOLING

AND EQUIPMENT



UTENSILI E ATTREZZATURE PER PRESSE PIEGATRICI





EUROSTAMP TOOLING

the Italian excellence

**Eurostamp Tooling significa qualità,
competenza e precisione.**

Dal 1970 produciamo utensili e attrezzature per la piegatura straordinariamente precisi, offrendo soluzioni di estrema qualità per tutti quei clienti che richiedono costantemente massimi livelli di performance e affidabilità.

***Eurostamp Tooling means quality,
competence, accuracy.***

Since 1970 we have been manufacturing outstandingly accurate tooling and providing top quality solutions to all those customers who require the highest levels of performance and reliability.

Eurostamp Tooling,
the Italian Excellence

CHI SIAMO

L'azienda è stata creata nel 1970 e, sin da allora, siamo orgogliosi di produrre e commercializzare utensili e attrezzature per la piegatura altamente performanti, affidabili e caratterizzati dai più elevati standard di qualità. Il nostro parco macchine utensili a elevata tecnologia e il magazzino con ampia disponibilità ci permettono di soddisfare ogni esigenza e richiesta speciale.

I nostri utensili sono realizzati con acciai al carbonio e acciai speciali di provenienza italiana, con tempra a induzione sulle parti usurabili che ne garantisce una durezza di 55-60 HRC.

Offriamo un'ampia gamma di accessori per presse piegatrici: adattatori inferiori e superiori, sistemi di bloccaggio manuali e pneumatici.

Il nostro ufficio tecnico interno, inoltre, è in grado di studiare i progetti di piegatura personalizzati in modo tempestivo e accurato.

Our company was born in 1970 and, since then, we have been proudly producing and marketing high performing and reliable press brake tooling distinguished by the highest quality standards. Our production department equipped with high-tech machine tools, complimented by our wide range inventory, allows us to meet our customer needs and expectations for standard and special tool requirements.

WHO WE ARE

Our tooling is produced by using medium carbon steel C45, both raw and tempered, and Italian high-quality chrome molybdenum steel.

All our tooling is then hardened by induction (HRC 55-60) up to 3mm depth from the working surface. In addition to providing high quality Press Brake Tooling, we also provide a large range of accessories for press brakes: lower and upper adaptors, manual or pneumatic clamping systems and more.

Our in-house technical department have the knowledge, experience, and expertise to develop fully tailored bending projects in a timely and accurate manner.

LA NOSTRA FILOSOFIA

Eurostamp Tooling è un'azienda con cuore italiano e anima internazionale; abbiamo deciso di concentrarci e specializzarci esclusivamente nella produzione e sviluppo degli utensili di piegatura, settore in cui abbiamo sviluppato la più alta tecnologia applicata a ciascuno dei processi interni.

Il nostro reparto produttivo pone la massima attenzione alla cura dei dettagli, alla precisione e all'accurato controllo della qualità con una ispirazione artigianale: selezioniamo i migliori fornitori italiani di materia prima, e investiamo costantemente in attrezzature di qualità e in spazi di stoccaggio di ampio respiro. Poniamo una fortissima attenzione alla formazione dello staff tecnico e produttivo ed investiamo costantemente in ricerca e sviluppo perché crediamo fortemente che il modo migliore per soddisfare i nostri clienti sia il superamento delle loro aspettative con soluzioni innovative e un supporto pre e post vendita di elevato livello. Il team commerciale lavora quotidianamente a fianco dello staff tecnico e produttivo per diffondere ovunque la nostra filosofia di marchio.

OUR PHILOSOPHY

Eurostamp tooling is an Italian company with an international "soul". Since the beginning we chose to focus all of our attention only on the engineering and manufacturing of press brake tooling, so we invested our resources on the state-of-art technologies applied to each of our internal processes.

Our production department takes great care to every detail, to the highest precision and to the accurate quality control. We are cooperating with the best raw material suppliers among the Italian market and we are constantly investing in new production technologies. Our finished product is then stocked in our wide and organized warehouse, ready for being handled by our skilled logistic resources. We put the highest care to the training of our production and engineering staff and to our policy of research and development because we are aware that this is the best way for overcoming our customer expectations with innovative solutions and with the highest level of pre- and post-sales support. Our sales staff is working daily beside our production and our engineering departments with the mission to spread worldwide our brand philosophy.



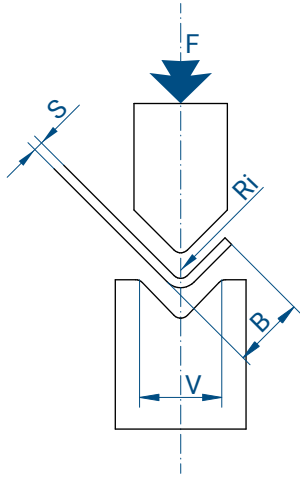
LE COMPETENZE

Gli specialisti che compongono il nostro staff controllano ogni fase produttiva, dalla scelta delle leghe e degli acciai grezzi, alle procedure di fresatura, tempra e rettifica di ogni pezzo. Usiamo acciaio al 100% italiano per garantire massima precisione e caratteristiche meccaniche ad alto standard qualitativo.

OUR COMPETENCES

Our specialized staff takes care of each production phase, from choosing the best kind of steel to the procedures for machining, hardening and grinding each product with the best results. We are utilizing only 100% Italian source steel for granting always the conformity to the most severe standards specifications.

CALCOLO DELLA FORZA DI PIEGA IN ARIA AIR BENDING FORCE CALCULATION



S	Spessore lamiera - mm Sheet metal thickness - mm	Ri	Raggio interno Inside radius
V	Larghezza del V V-opening	R	Alluminio 20-25 kg/mm ² Aluminium 20-25 kg/mm ²
F	Forza in T/m Force in T/m	R	Acciaio dolce 40-45 kg/mm ² Mild steel 40-45 kg/mm ²
B	Bordo minimo Shortest edge	R	Inox 65-70 kg/mm ² Stainless steel 65-70 kg/mm ²

$$F = \left| \frac{S^2 \times 2 \times R}{1.4 \times V} \right| = \dots \text{ ton/m}$$

RELAZIONE TRA SPESSORE LAMIERA E LARGHEZZA V SHEET METAL THICKNESS / V-SHAPE WIDTH RATIO

S	Spessore lamiera - mm Sheet metal thickness - mm	0,5-2,5	3-8	9-10	12 o più 12 or more
V	Larghezza del V "V" width	6 S	8 S	10 S	12 S

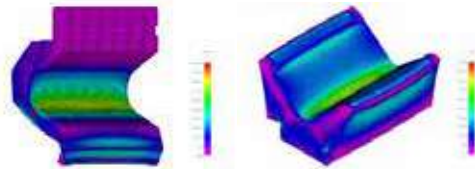


TABELLA DI PIEGATURA IN ARIA - ACCIAIO DOLCE AIR BENDING TABLE - MILD STEEL

S	mm	0,5	0,6	0,8	1	1,2	1,5	2	2,5	3	4	5	6	8	10	12	15	20	25	30		
6	4	1	3	4	7	11	16															
8	5,5	1,3		4	5	8	12	17														
10	7	1,6			4	7	10	15	27													
12	8,5	2				6	8	13	22	35												
16	11	2,6					6	9	17	26	38											
20	14	3,3						8	13	21	30	54										
25	17,5	4							11	17	24	42	67									
32	22	5								13	19	34	52	75								
40	28	6,5									15	27	42	60	107							
50	35	8										21	33	48	85	134						
63	45	10											26	38	68	105						
80	55	13												30	53	85	120					
100	71	16													43	67	96	150				
125	89	20														53	78	120	215			
160	113	26															60	95	170	265		
200	140	33																75	135	210	300	
250	175	41																	108	170	240	
320	226	53																		85	130	190
V	B	Ri																			F	

TABELLA DI PIEGATURA IN ARIA - ACCIAIO INOX AIR BENDING TABLE - STAINLESS STEEL

S	mm	0,5	0,6	0,8	1	1,2	1,5	2	2,5	3	4	5	6	8	10	12	15	20	25	30					
6	4	1				5	6	11	17	25															
8	5,5	1,3					6	8	12	19	26														
10	7	1,6						6	11	16	23	42													
12	8,5	2							9	12	20	34	54												
16	11	2,6								9	14	26	40	59											
20	14	3,3									12	20	33	47	84										
25	17,5	4										17	26	37	65	104									
32	22	5											20	30	53	81	117								
40	28	6,5												23	42	65	93	166							
50	35	8													33	51	75	132	208						
63	45	10														40	59	106	163						
80	55	13															47	82	132	187					
100	71	16																67	104	149	233				
125	89	20																	82	121	187	334			
160	113	26																		93	148	264	412		
200	140	33																			117	210	327	467	
250	175	41																				168	264	373	
320	226	53																					132	202	296
V	B	Ri																					F		



AMADA PROMECAM STYLE EUROPEAN STYLE

Gli utensili superiori ed inferiori elencati in questa sezione possono essere installati sulle piegatrici:

ACL, Accurpress, AM Machinery, Amada, Atlantic, Adira, Baykal, BL, Boschert, Boutillon, Bystronic-Beyeler Euro-B, Coastone, Colgar, Dener, Deratech, Durmazlar, Ermaksan, Farina, Gade, Gasparini, Gizelis, Haco, Hindustan, Iturrospe, Jfy, JMT, LFK, Metfab, MVD, Oriance, Prima Power, Promecam, Rico, Salvagnini, Schiavi, SMD, Sorg, Somo, Vicla, Vimercati, Warcom, Yangli, Yawei, Ysde su tutte le piegatrici equipaggiate con sistemi di connessione stile Europeo (stile Amada/Promecam).

Questi utensili possono essere installati anche su altre piegatrici tramite adattatori superiori e inferiori.

Upper and lower tooling listed on this section could be installed on the following press brakes:

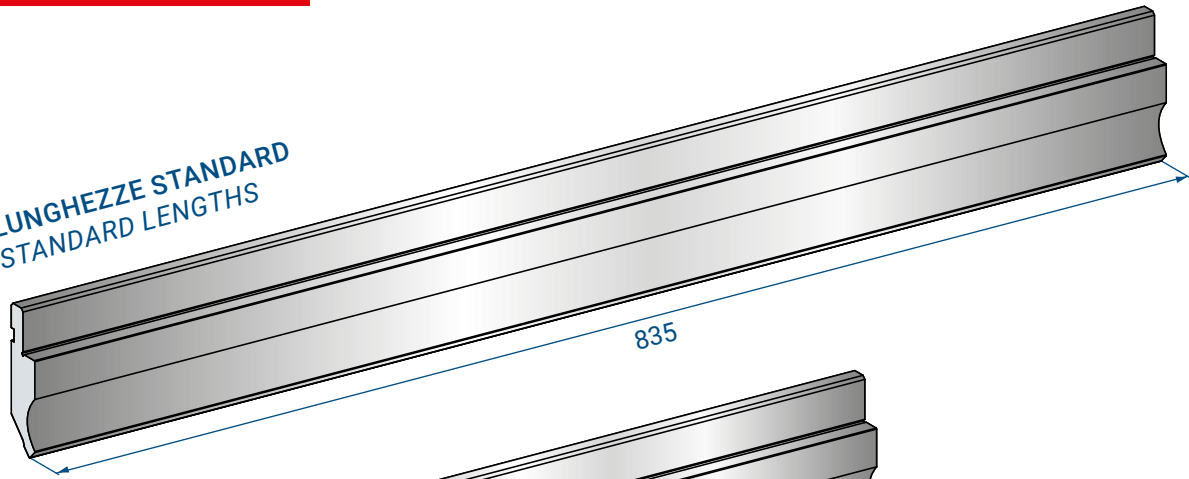
ACL, Accurpress, AM Machinery, Amada, Atlantic, Adira, Baykal, BL, Boschert, Boutillon, Bystronic-Beyeler Euro-B, Coastone, Colgar, Dener, Deratech, Durmazlar, Ermaksan, Farina, Gade, Gasparini, Gizelis, Haco, Hindustan, Iturrospe, Jfy, JMT, LFK, Metfab, MVD, Oriance, Prima Power, Promecam, Rico, Salvagnini, Schiavi, SMD, Sorg, Somo, Vicla, Vimercati, Warcom, Yangli, Yawei, Ysd, ecc.

These tooling could also be installed on other press brakes by using the appropriate upper and lower adapters.

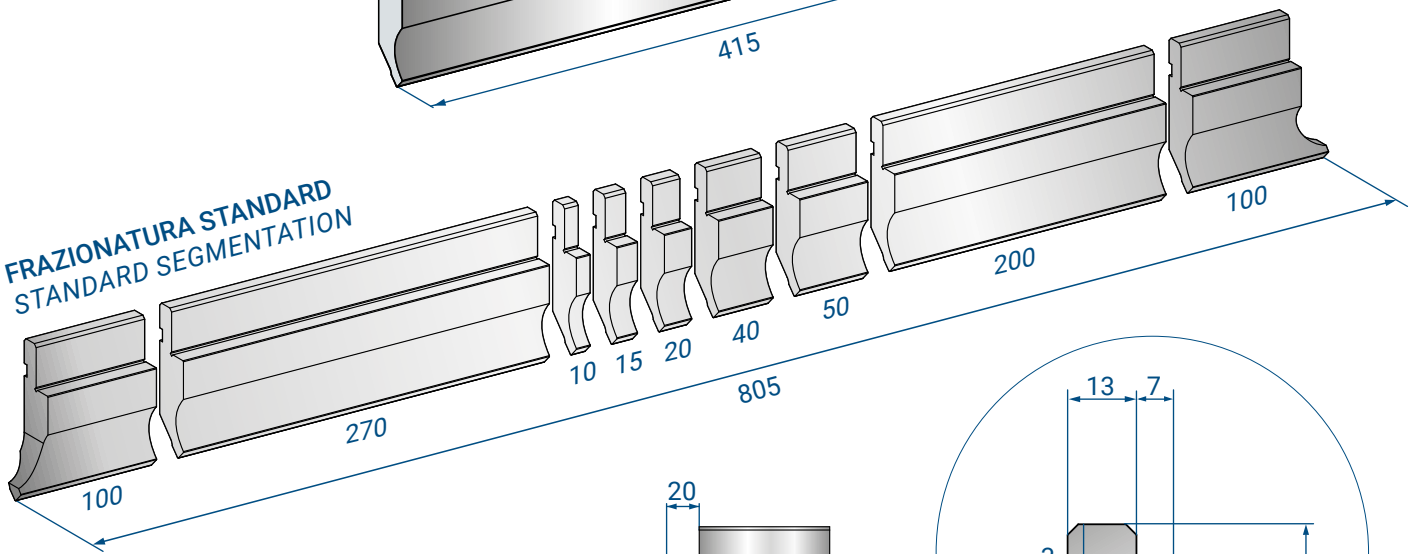




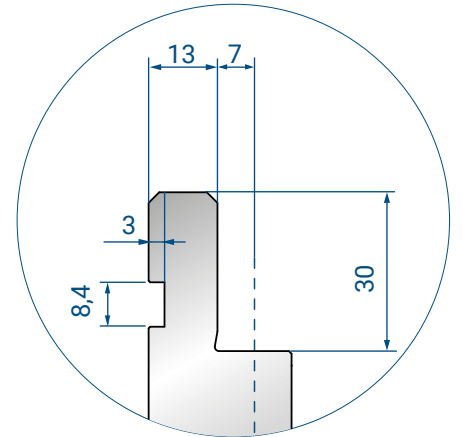
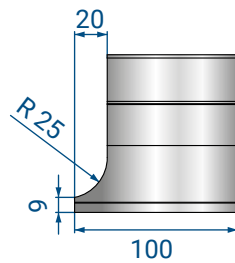
LUNGHEZZE STANDARD
STANDARD LENGTHS



FRAZIONATURA STANDARD
STANDARD SEGMENTATION

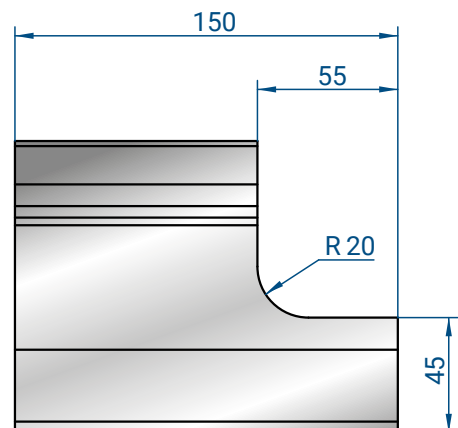
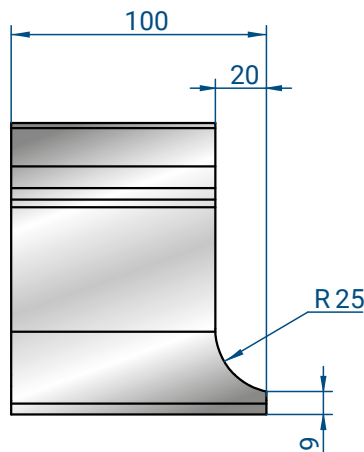


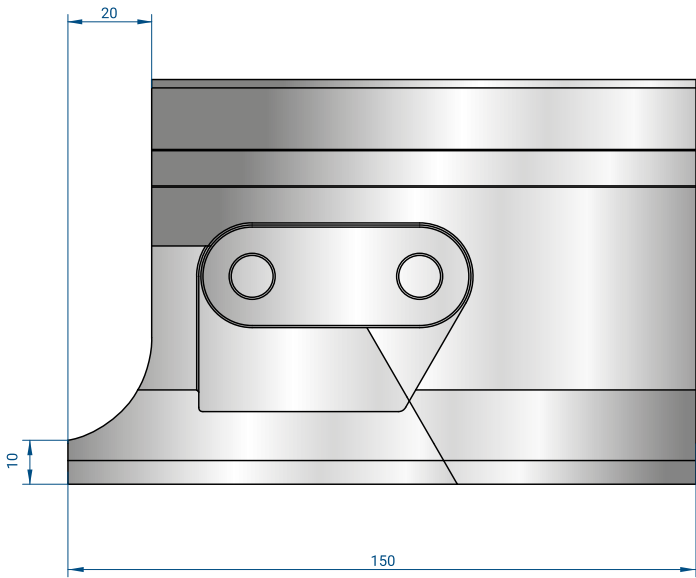
SCARPETTA STANDARD
STANDARD HORN



MODIFICHE A RICHIESTA / MODIFICATIONS ON REQUEST

SCARPETTE SPECIALI
SPECIAL HORNS





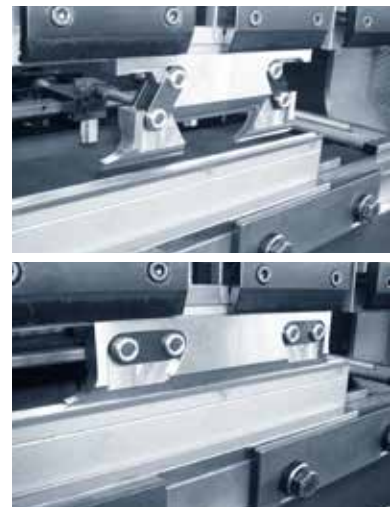
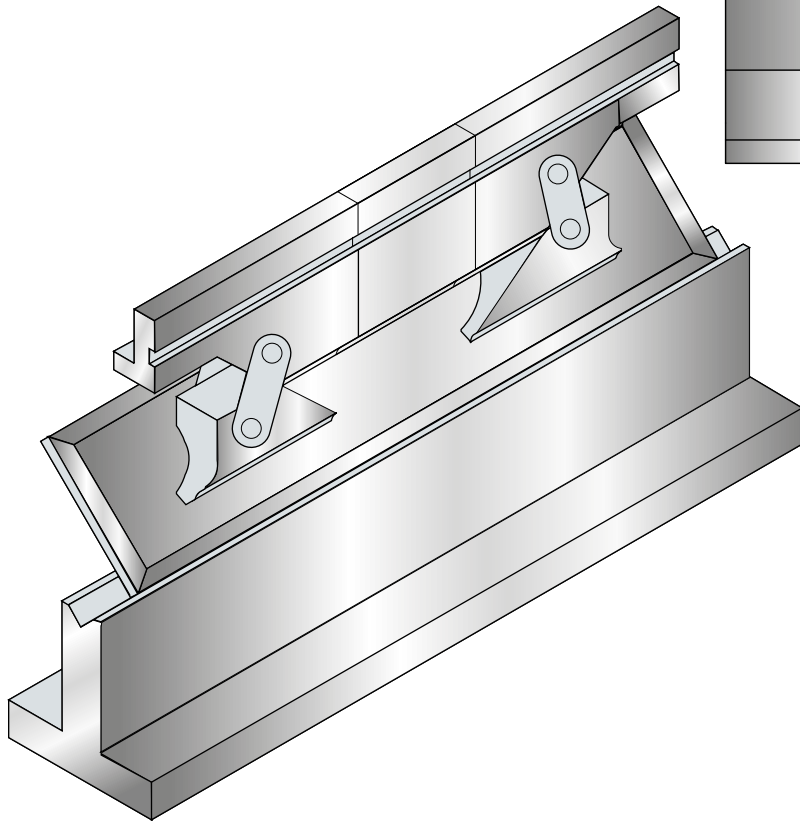
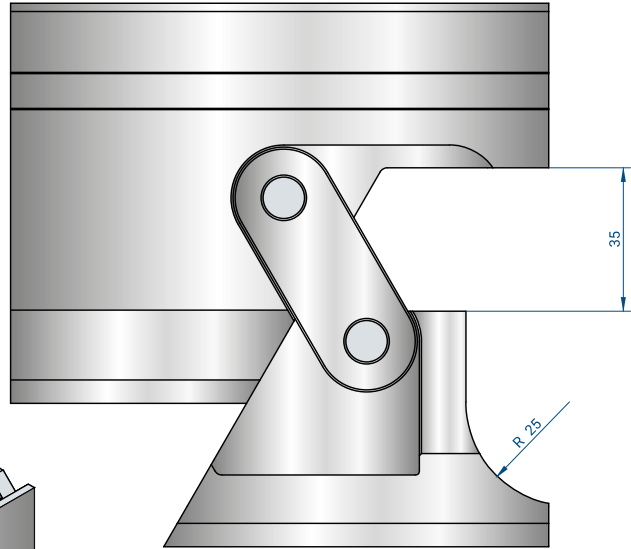
PUNZONE
PUNCH

1011 1011S
2x150 3,5 kg

SCARPETTE MOBILI
MOVING HORNS

1065 1065S
2x150 3,5 kg

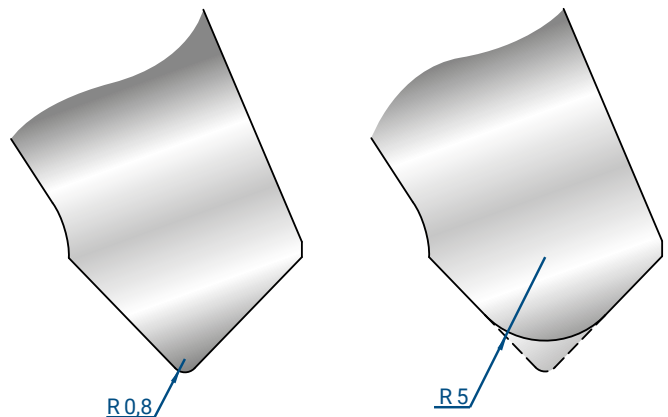
1047 1047S
2x150 4,0 kg

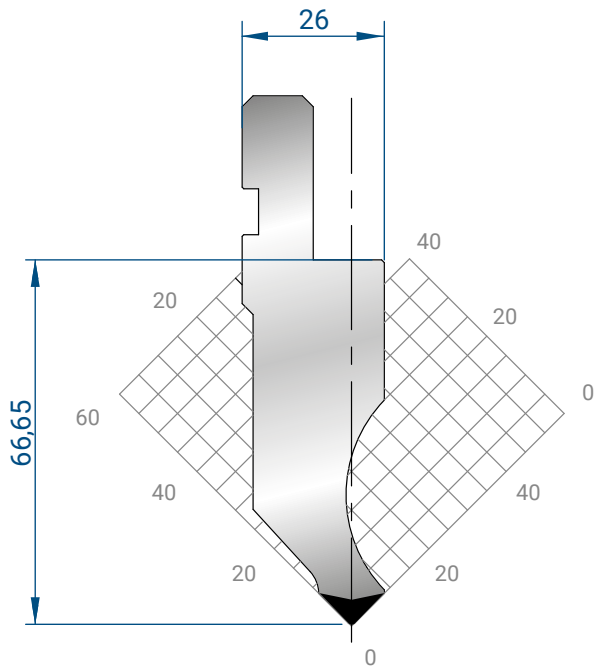


TAGLI A RICHIESTA
SPECIAL SEGMENTATION



MODIFICA RAGGIO
RADIUS MODIFICATION

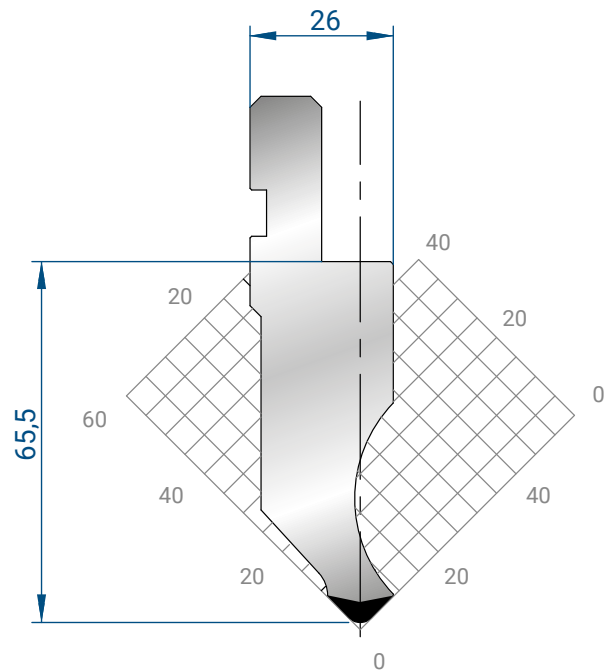




1011

Mat = C45
 H = 66.65
 Max T/m = 100
 $\alpha = 88^\circ$
 R = 0.8

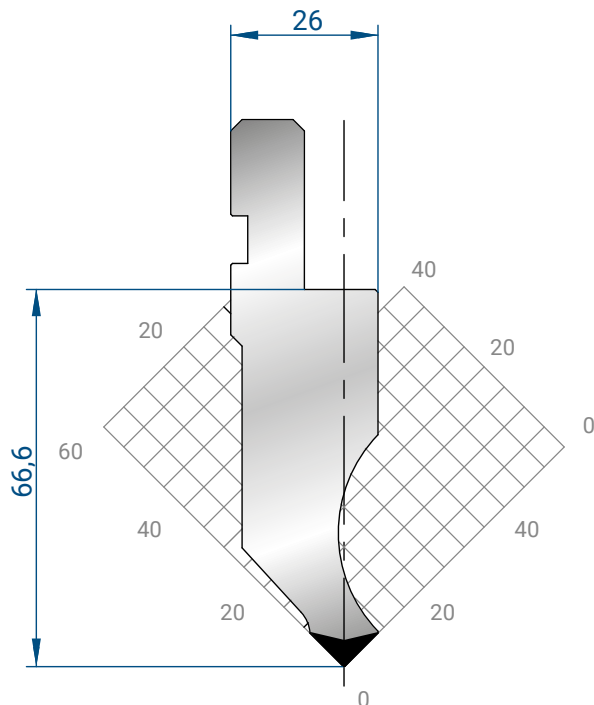
835 mm	11,0 kg
415 mm	5,0 kg
805 mm	11,0 kg
FRAZ. / SECT.	



1012

Mat = C45
 H = 65.50
 Max T/m = 100
 $\alpha = 88^\circ$
 R = 3

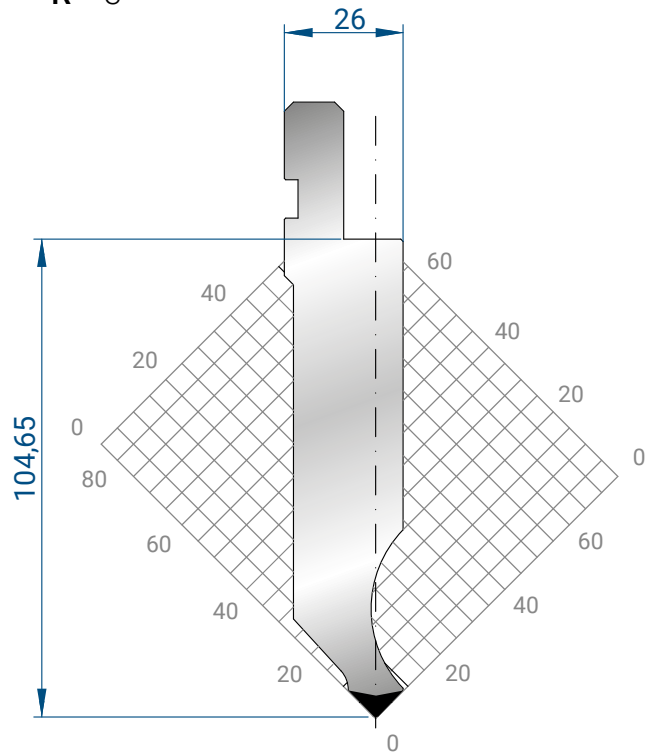
835 mm	11,0 kg
415 mm	4,5 kg
805 mm	11,0 kg
FRAZ. / SECT.	



1065

Mat = C45
 H = 66.60
 Max T/m = 100
 $\alpha = 88^\circ$
 R = 0.25

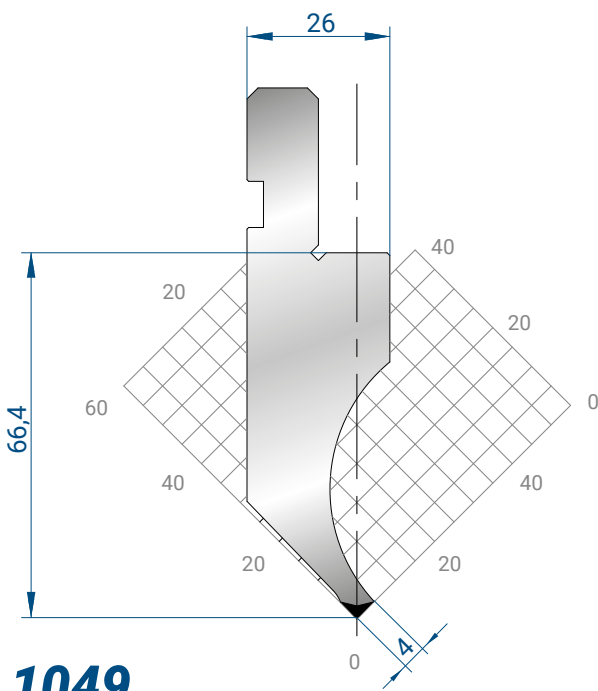
835 mm	11,0 kg
415 mm	5,0 kg
805 mm	11,0 kg
FRAZ. / SECT.	



1063

Mat = C45
 H = 104.65
 Max T/m = 100
 $\alpha = 88^\circ$
 R = 0.8

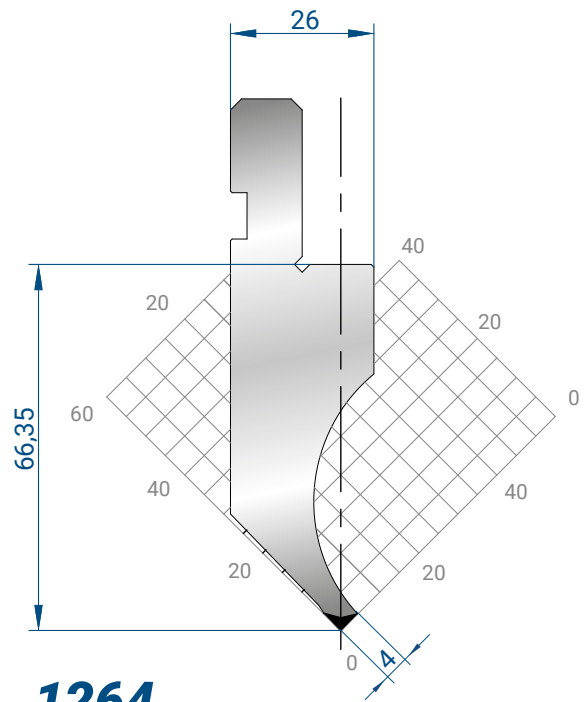
835 mm	17,0 kg
415 mm	9,0 kg
805 mm	17,0 kg
FRAZ. / SECT.	



1049

Mat = C45
 bonificato / *tempered*
H = 66.40
Max T/m = 35
 α = 88°
R = 0.6

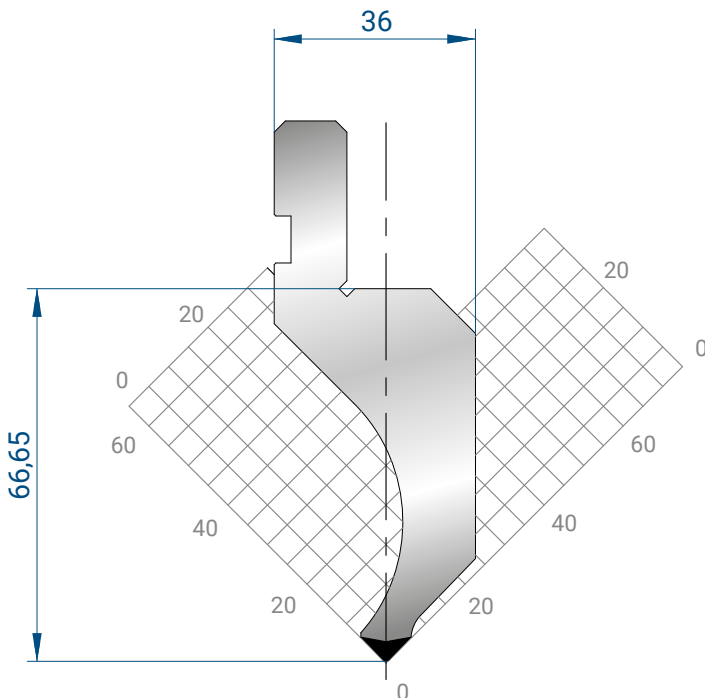
835 mm	11,0 kg
415 mm	5,0 kg
805 mm	11,0 kg
FRAZ. / SECT.	



1264

Mat = C45
 bonificato / *tempered*
H = 66.35
Max T/m = 35
 α = 88°
R = 0.25

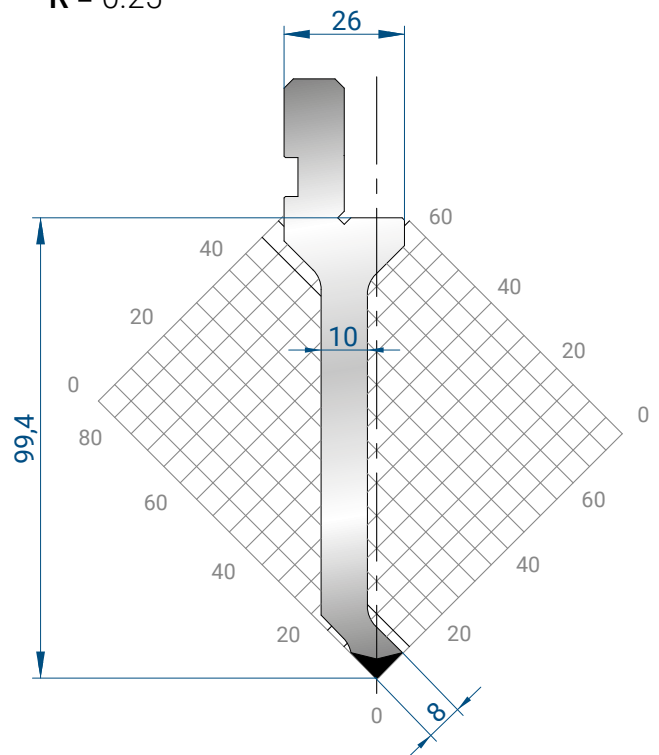
835 mm	11,0 kg
415 mm	5,0 kg
805 mm	11,0 kg
FRAZ. / SECT.	



1081

Mat = C45
H = 66.65
Max T/m = 60
 α = 88°
R = 0.8

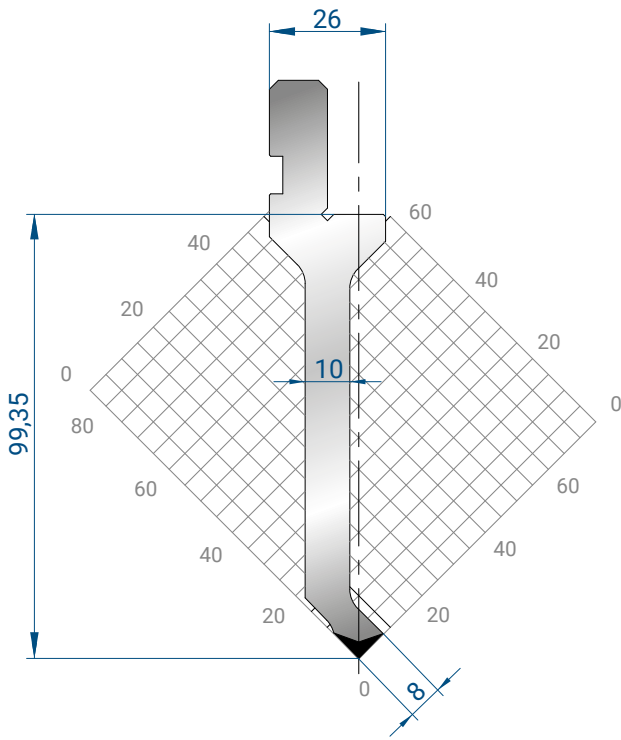
835 mm	12,0 kg
415 mm	6,0 kg
805 mm	12,0 kg
FRAZ. / SECT.	



1029

Mat = C45
H = 99.40
Max T/m = 50
 α = 88°
R = 0.6

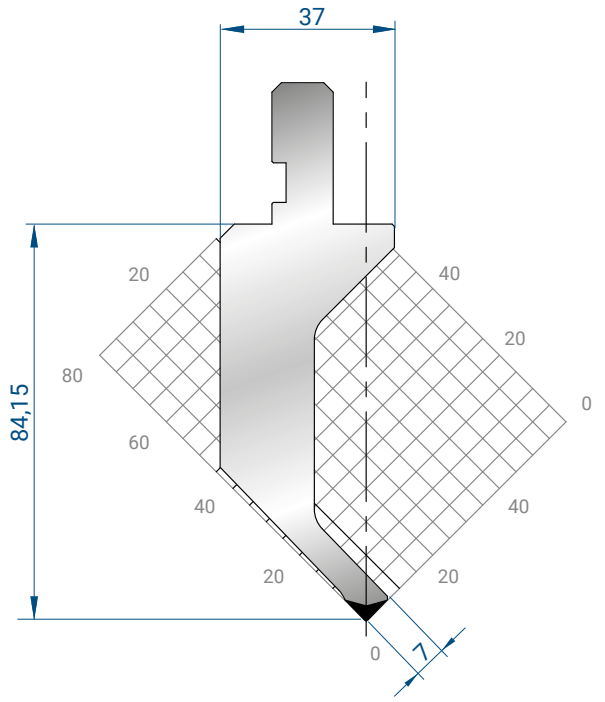
835 mm	10,0 kg
415 mm	5,0 kg
805 mm	10,0 kg
FRAZ. / SECT.	



1262

Mat = C45
 H = 99.35
 Max T/m = 50
 $\alpha = 88^\circ$
 R = 0.25

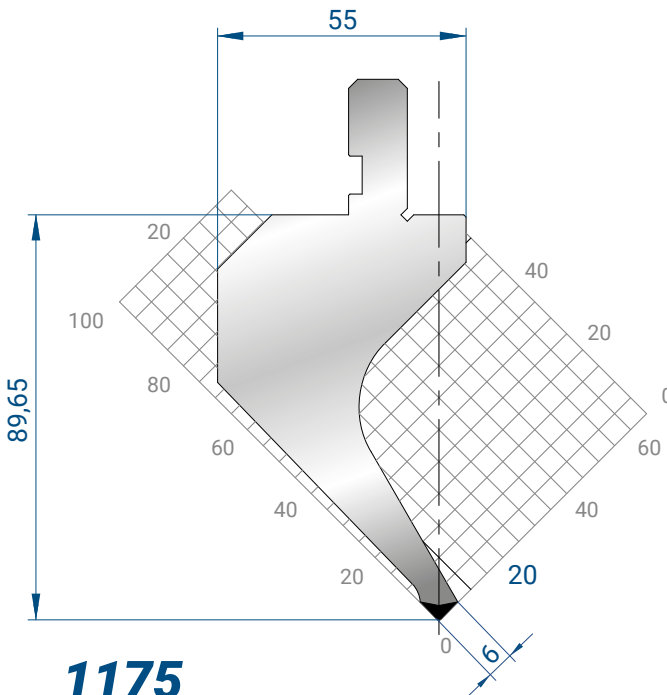
835 mm	9,0 kg
415 mm	4,0 kg
805 mm	9,0 kg
FRAZ. / SECT.	



1020

Mat = 42CrMo4
 bonificato / tempered
 H = 84.15
 Max T/m = 20
 $\alpha = 88^\circ$
 R = 0.6

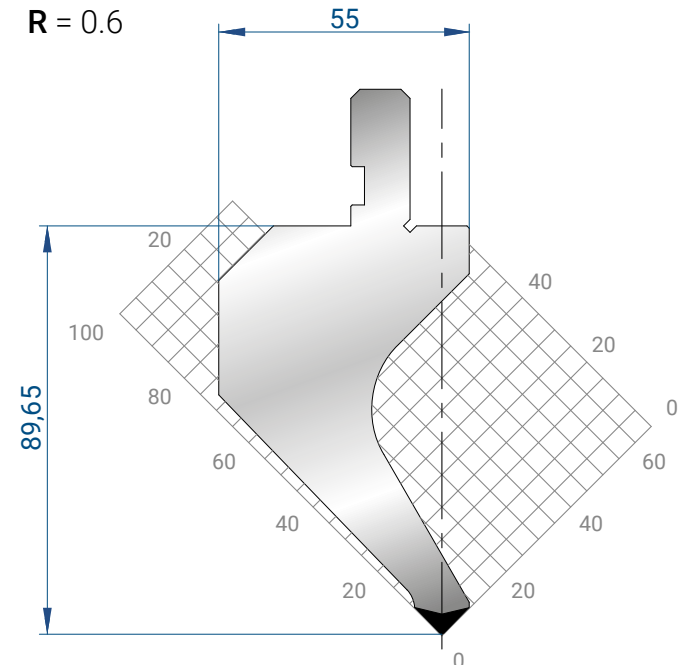
835 mm	14,0 kg
415 mm	7,0 kg
805 mm	14,0 kg
FRAZ. / SECT.	



1175

Mat = C45
 bonificato / tempered
 H = 89.65
 Max T/m = 50
 $\alpha = 88^\circ$
 R = 0.8

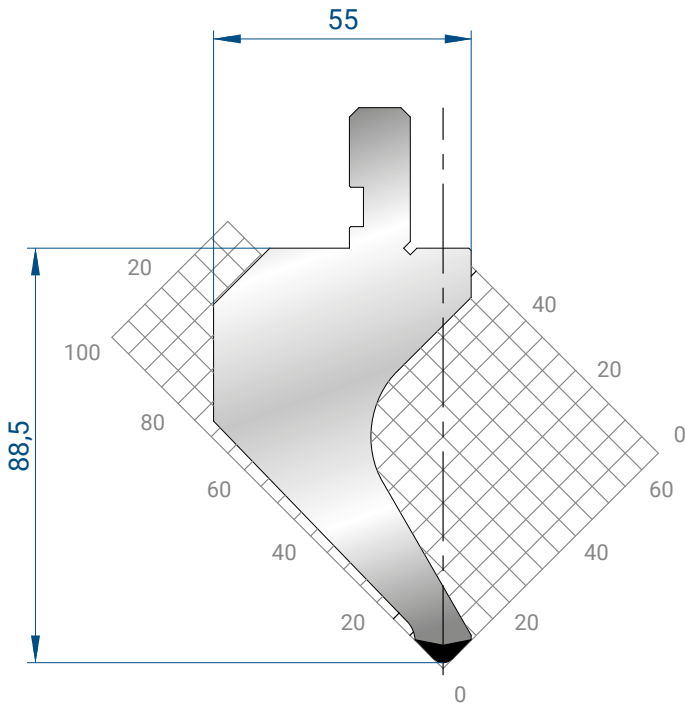
835 mm	21,0 kg
415 mm	10,0 kg
805 mm	21,0 kg
FRAZ. / SECT.	



1014

Mat = C45
 H = 89.65
 Max T/m = 60
 $\alpha = 88^\circ$
 R = 0.8

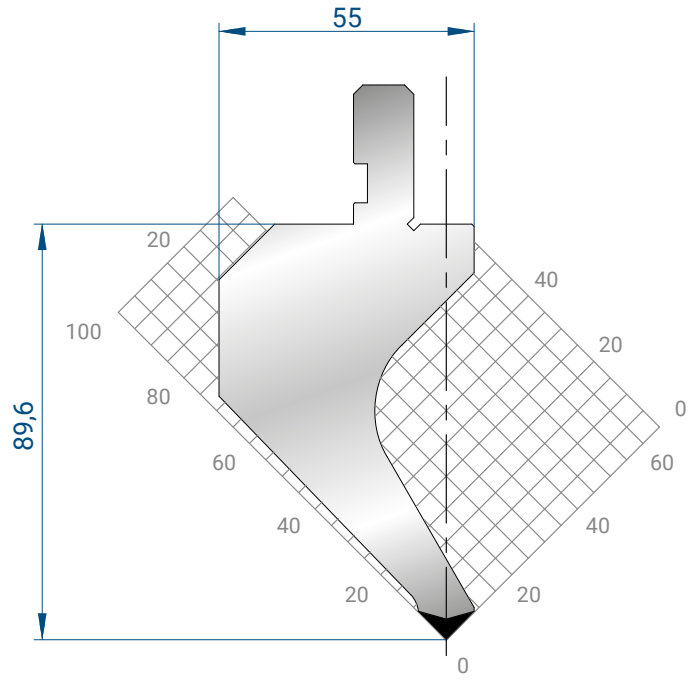
835 mm	21,0 kg
415 mm	10,5 kg
805 mm	21,0 kg
FRAZ. / SECT.	



1015

Mat = C45
 H = 88.50
 Max T/m = 60
 $\alpha = 88^\circ$
 R = 3

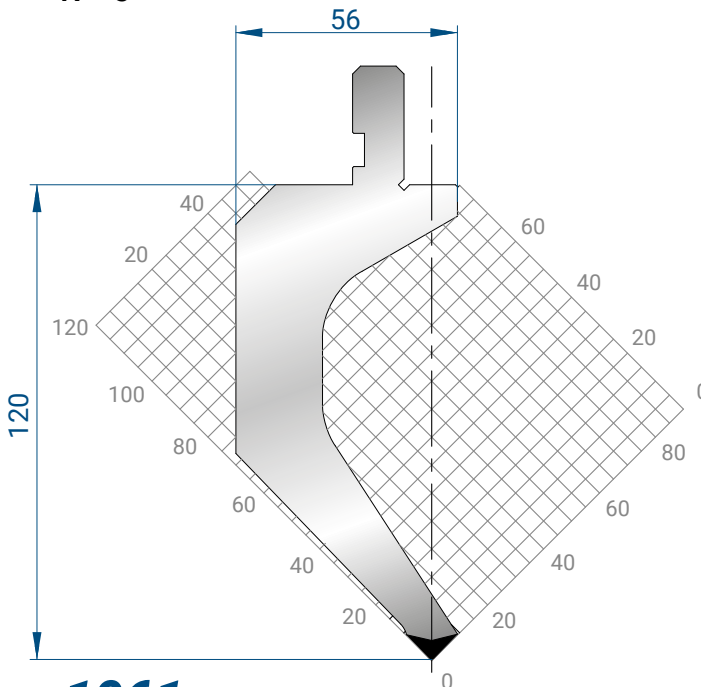
835 mm	21,0 kg
415 mm	10,5 kg
805 mm	21,0 kg
FRAZ. / SECT.	



1266

Mat = C45
 H = 89.60
 Max T/m = 60
 $\alpha = 88^\circ$
 R = 0.25

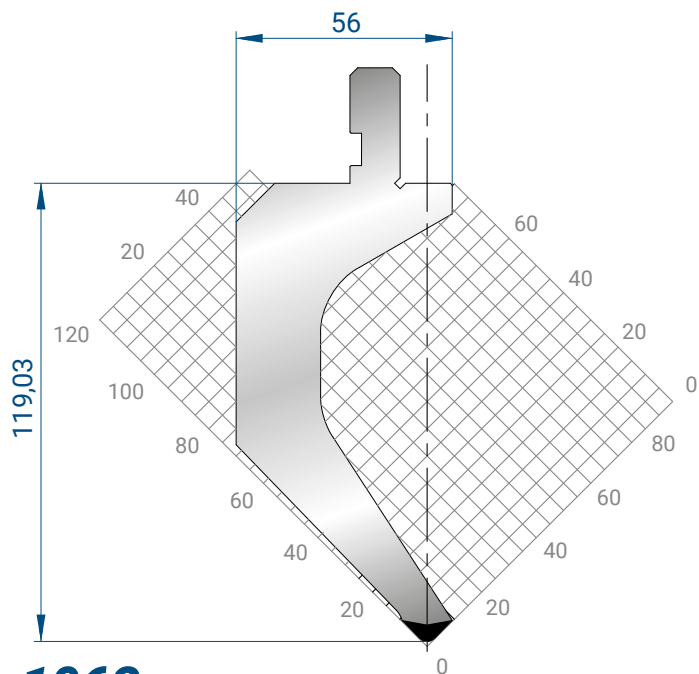
835 mm	21,0 kg
415 mm	10,0 kg
805 mm	21,0 kg
FRAZ. / SECT.	



1061

Mat = C45
 bonificato / tempered
 H = 120
 Max T/m = 50
 $\alpha = 88^\circ$
 R = 0.8

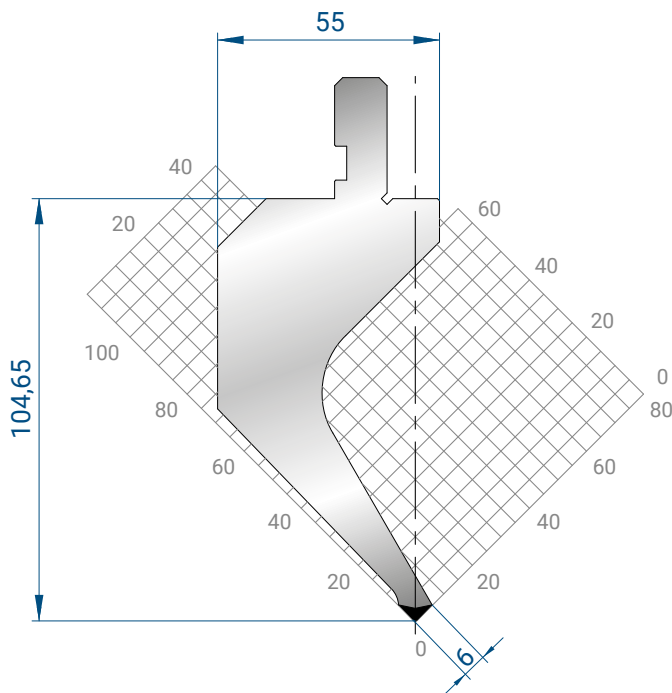
835 mm	24,0 kg
415 mm	12,0 kg
805 mm	24,0 kg
FRAZ. / SECT.	



1062

Mat = C45
 bonificato / tempered
 H = 119.03
 Max T/m = 50
 $\alpha = 88^\circ$
 R = 3

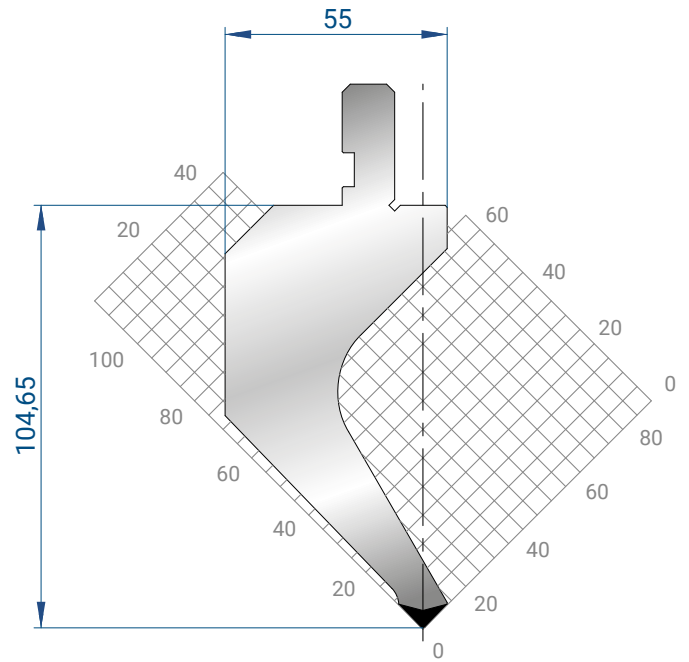
835 mm	24,0 kg
415 mm	12,0 kg
805 mm	24,0 kg
FRAZ. / SECT.	



1173

Mat = C45
 bonificato / tempered
 H = 104.65
 Max T/m = 50
 $\alpha = 88^\circ$
 R = 0.8

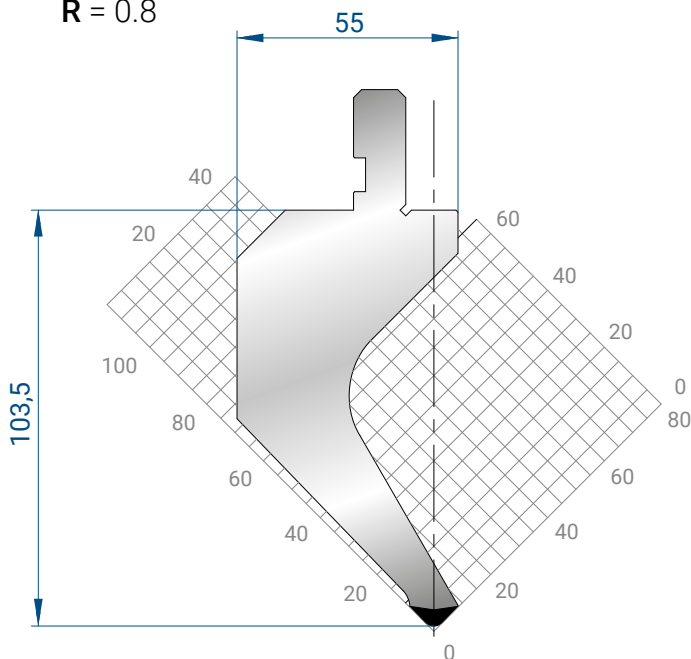
835 mm	23,0 kg
415 mm	11,0 kg
805 mm	23,0 kg
FRAZ. / SECT.	



1017

Mat = C45
 H = 104.65
 Max T/m = 50
 $\alpha = 88^\circ$
 R = 0.8

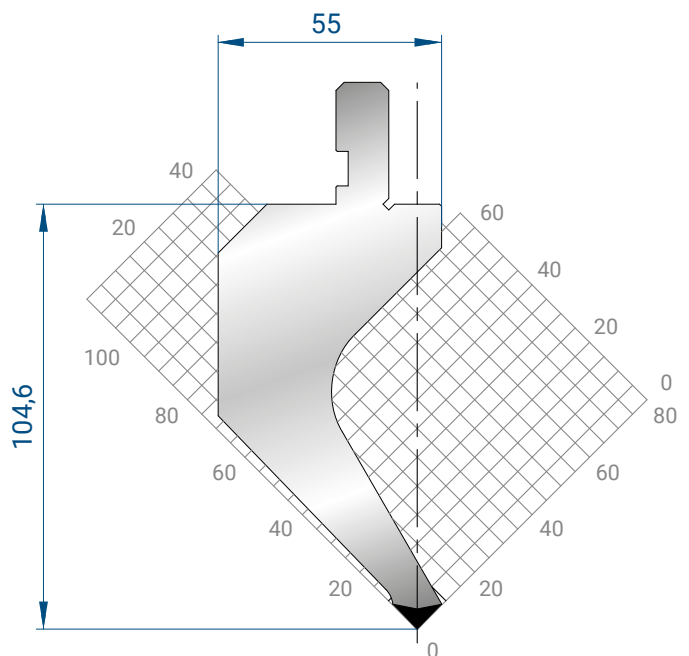
835 mm	23,0 kg
415 mm	11,0 kg
805 mm	23,0 kg
FRAZ. / SECT.	



1018

Mat = C45
 H = 103.50
 Max T/m = 50
 $\alpha = 88^\circ$
 R = 3

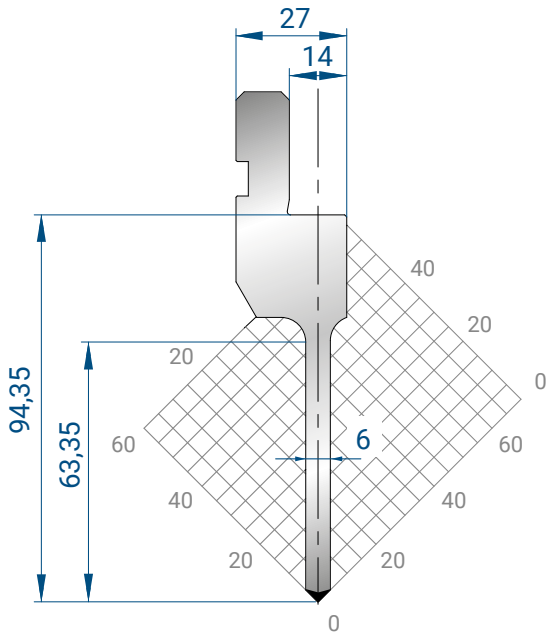
835 mm	23,0 kg
415 mm	11,0 kg
805 mm	23,0 kg
FRAZ. / SECT.	



1268

Mat = C45
 H = 104.60
 Max T/m = 50
 $\alpha = 88^\circ$
 R = 0.25

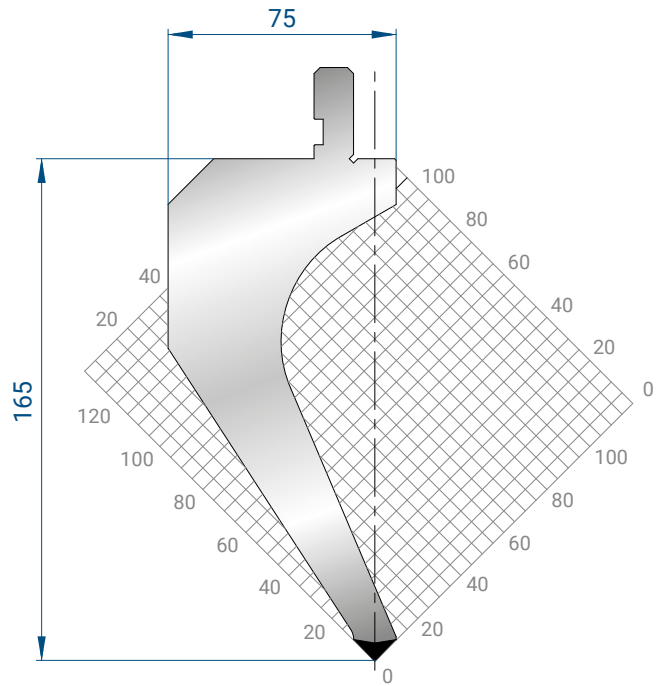
835 mm	23,0 kg
415 mm	11,0 kg
805 mm	23,0 kg
FRAZ. / SECT.	



1270

Mat = C45
 bonificato/ *tempered*
H = 94.35
Max T/m = 50
 α = 88°
R = 0.25

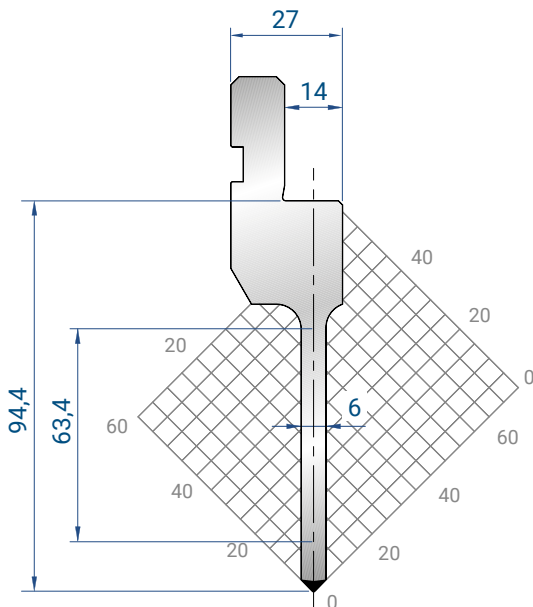
835 mm	8,0 kg
415 mm	4,0 kg
805 mm	8,0 kg
FRAZ. / SECT.	



1031

Mat = C45
H = 165
Max T/m = 60
 α = 88°
R = 0.8

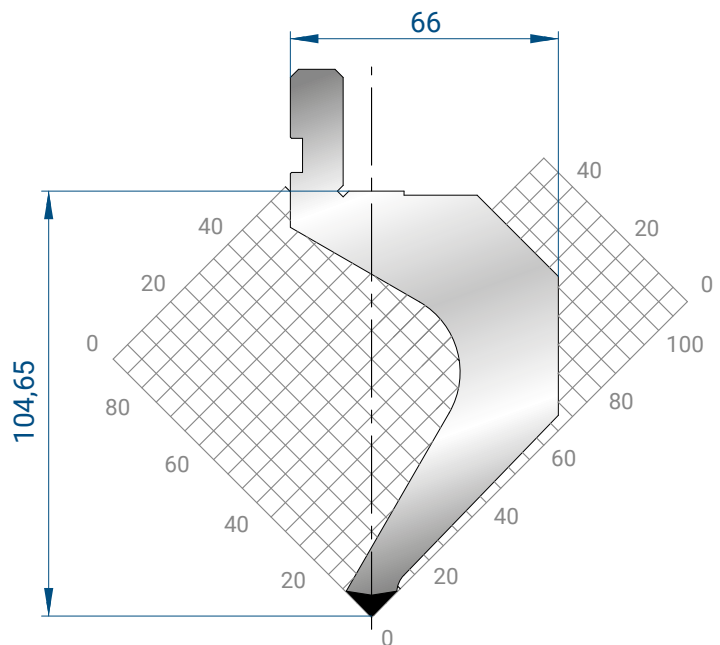
835 mm	41,0 kg
415 mm	20,0 kg
805 mm	41,0 kg
FRAZ. / SECT.	



1084

Mat = C45
 bonificato / *tempered*
H = 94.40
Max T/m = 50
 α = 88°
R = 0.6

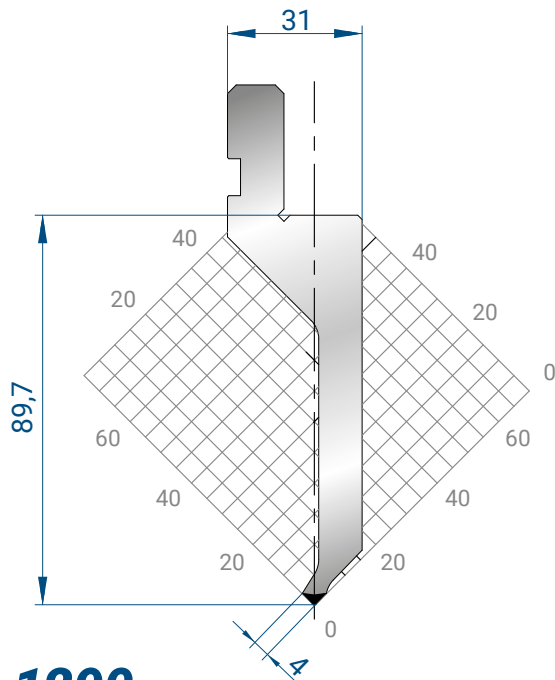
835 mm	8,0 kg
415 mm	4,0 kg
805 mm	8,0 kg
FRAZ. / SECT.	



1082

Mat = C45
H = 104.65
Max T/m = 45
 α = 88°
R = 0.8

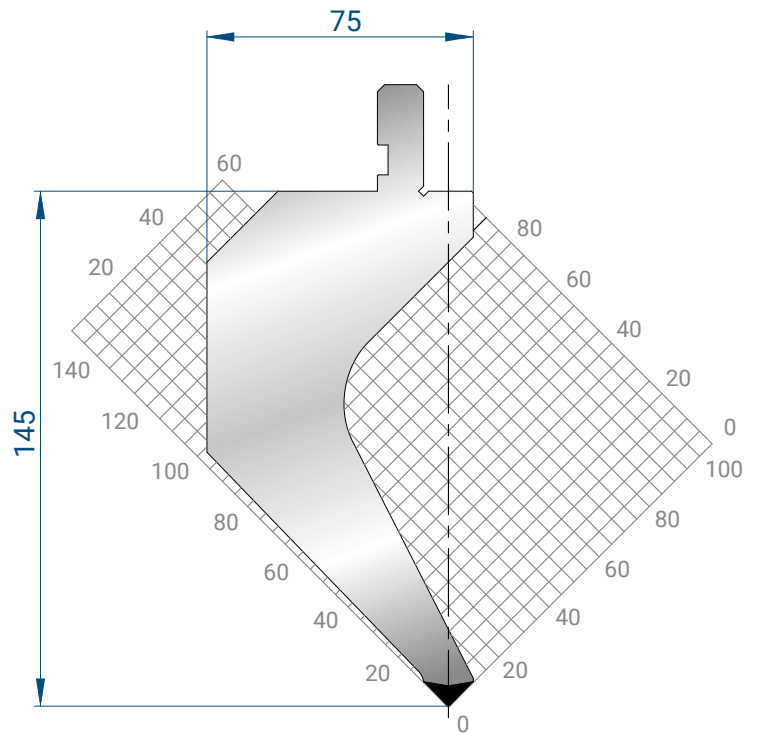
835 mm	25,0 kg
415 mm	12,0 kg
805 mm	25,0 kg
FRAZ. / SECT.	



1290

Mat = C45
 bonificato / *tempered*
 H = 89.70
 Max T/m = 30
 $\alpha = 88^\circ$
 R = 0.6

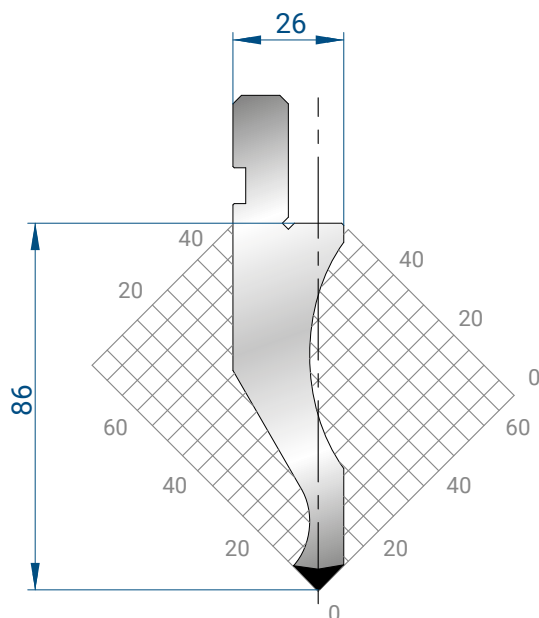
835 mm	10,0 kg
415 mm	5,0 kg
805 mm FRAZ. / SECT.	10,0 kg



1030

Mat = C45
 H = 145
 Max T/m = 80
 $\alpha = 88^\circ$
 R = 0.8

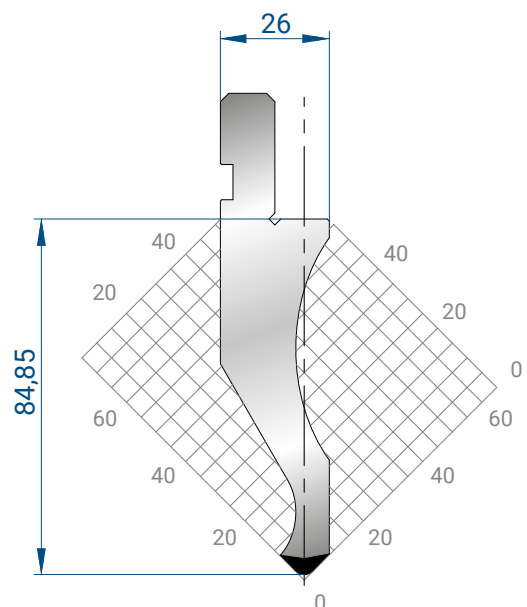
835 mm	39,0 kg
415 mm	19,0 kg
805 mm FRAZ. / SECT.	39,0 kg



1022

Mat = C45
 H = 86
 Max T/m = 100
 $\alpha = 88^\circ$
 R = 0.8

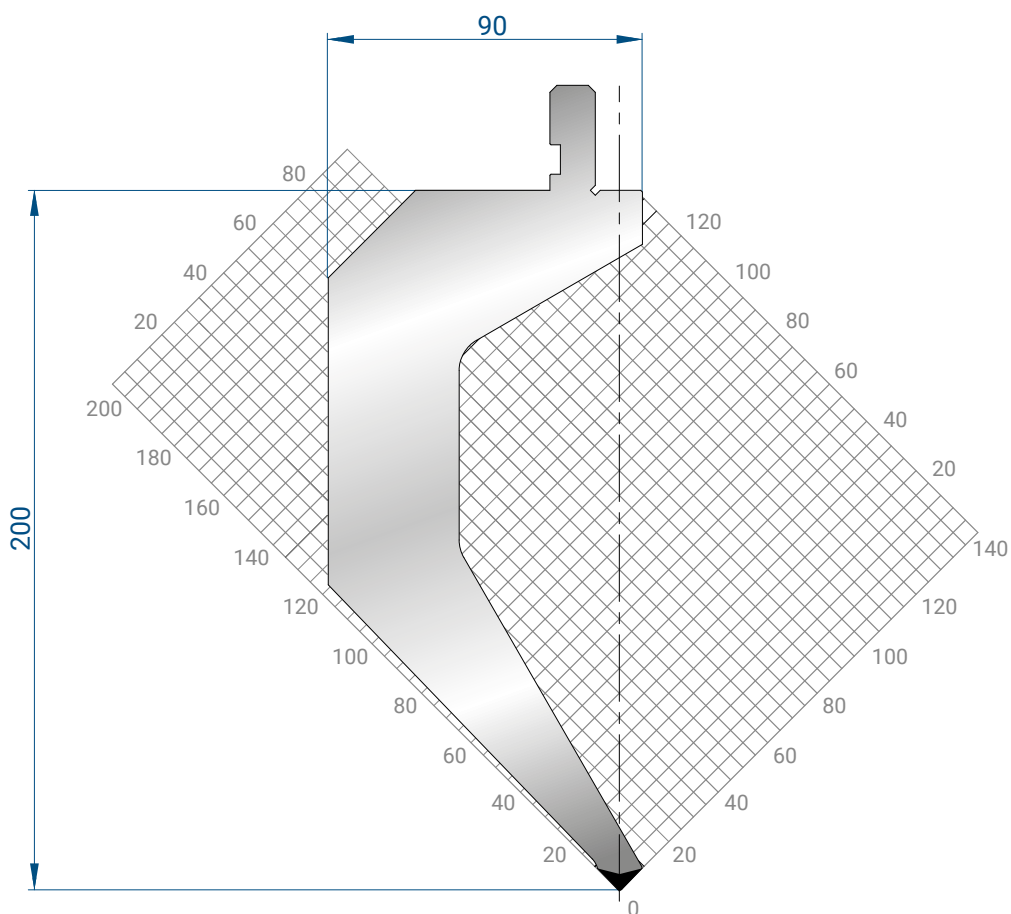
835 mm	13,0 kg
415 mm	6,0 kg
805 mm FRAZ. / SECT.	13,0 kg



1023

Mat = C45
 H = 84.85
 Max T/m = 100
 $\alpha = 88^\circ$
 R = 3

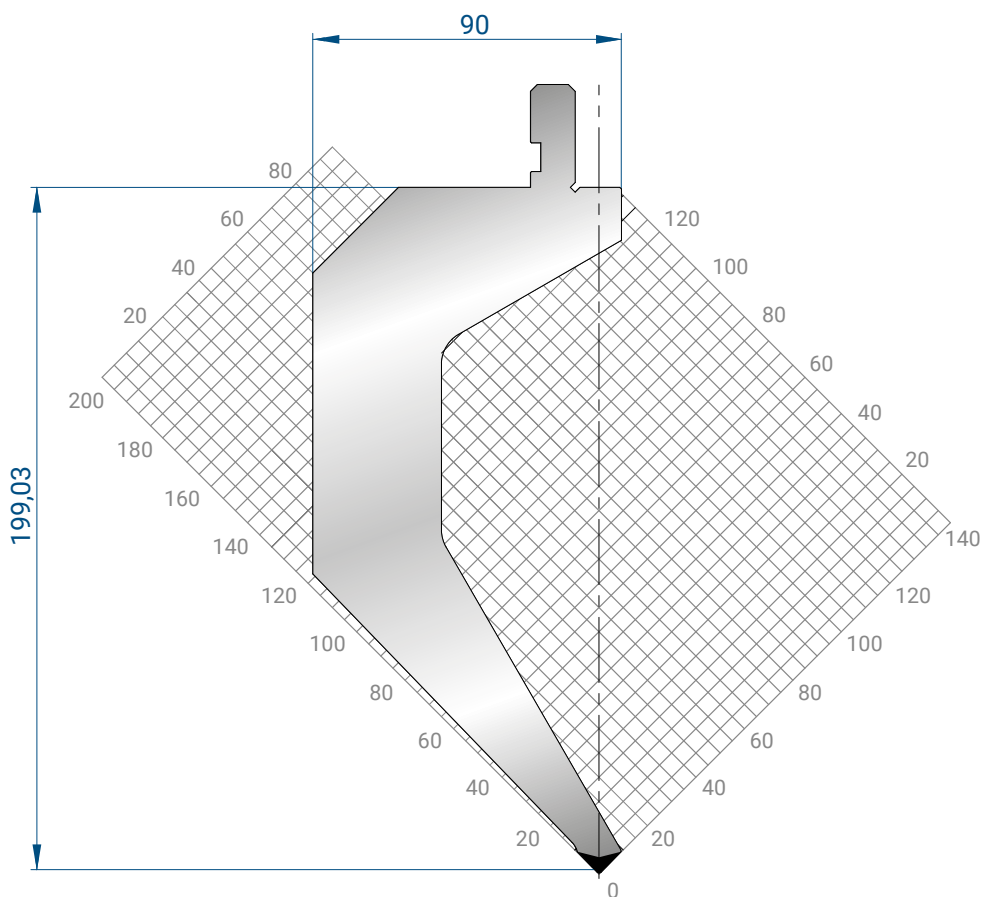
835 mm	13,0 kg
415 mm	6,0 kg
805 mm FRAZ. / SECT.	13,0 kg



1291

Mat = C45
 bonificato / *tempered*
H = 200
Max T/m = 85
 α = 88°
R = 0.8

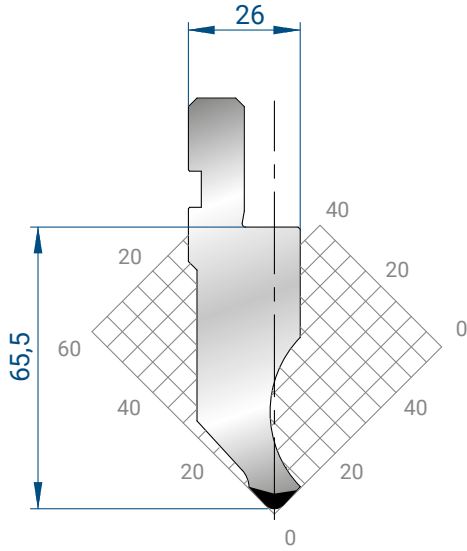
505 mm	32,5 kg
805 mm FRAZ. / SECT.	54,0 kg



1301

Mat = C45
 bonificato / *tempered*
H = 199.03
Max T/m = 85
 α = 88°
R = 3

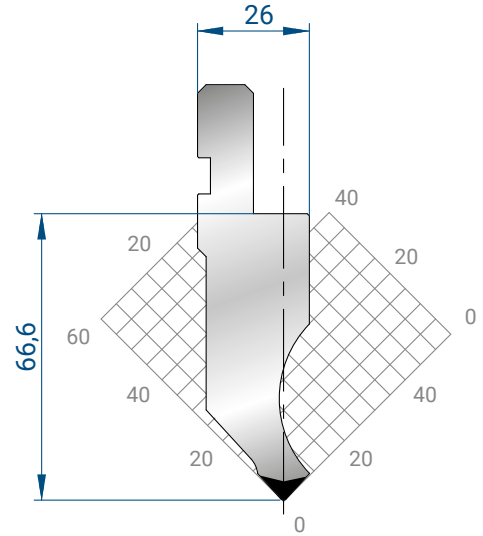
505 mm	32,5 kg
805 mm FRAZ. / SECT.	54,0 kg



1177

Mat = C45
 H = 65.50
 Max T/m = 100
 $\alpha = 85^\circ$
 R = 3

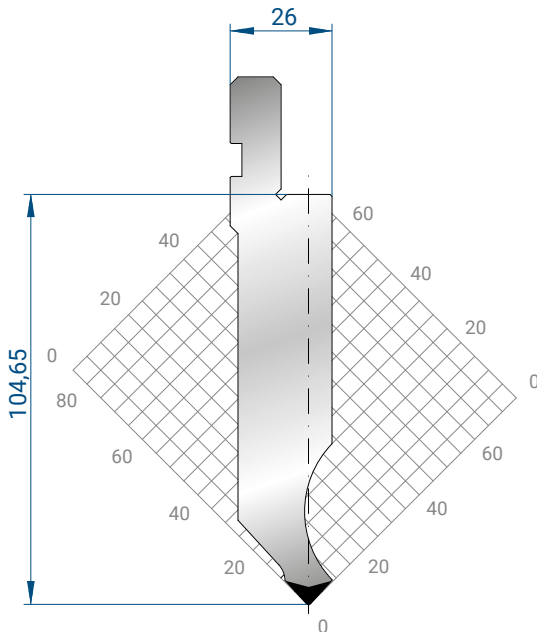
835 mm	11,0 kg
415 mm	5,0 kg
805 mm	11,0 kg
FRAZ. / SECT.	



1260

Mat = C45
 H = 66.60
 Max T/m = 100
 $\alpha = 85^\circ$
 R = 0.8

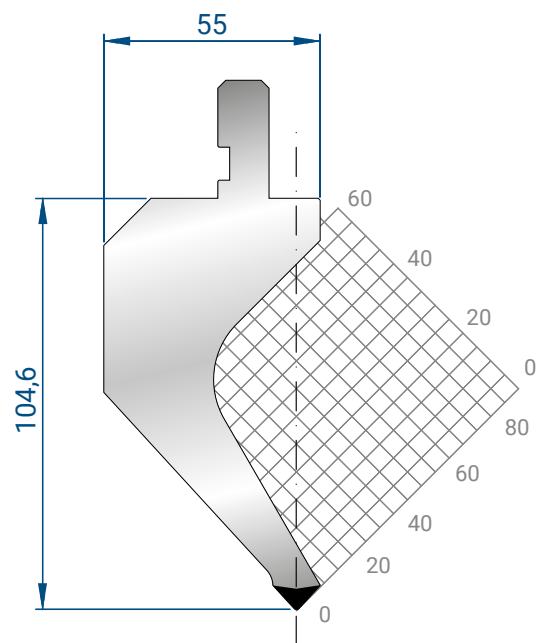
835 mm	11,0 kg
415 mm	5,0 kg
805 mm	11,0 kg
FRAZ. / SECT.	



1281

Mat = C45
 H = 104.65
 Max T/m = 100
 $\alpha = 85^\circ$
 R = 0.8

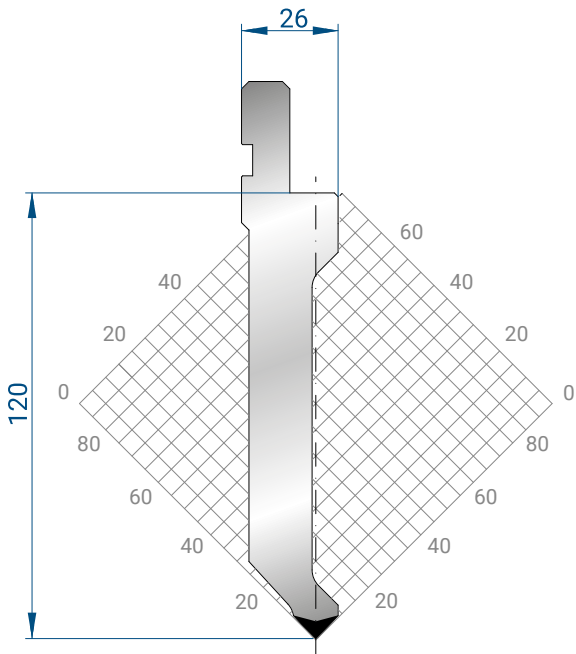
835 mm	17,0 kg
415 mm	9,0 kg
805 mm	17,0 kg
FRAZ. / SECT.	



1172

Mat = C45
 H = 104.60
 Max T/m = 50
 $\alpha = 85^\circ$
 R = 0.8

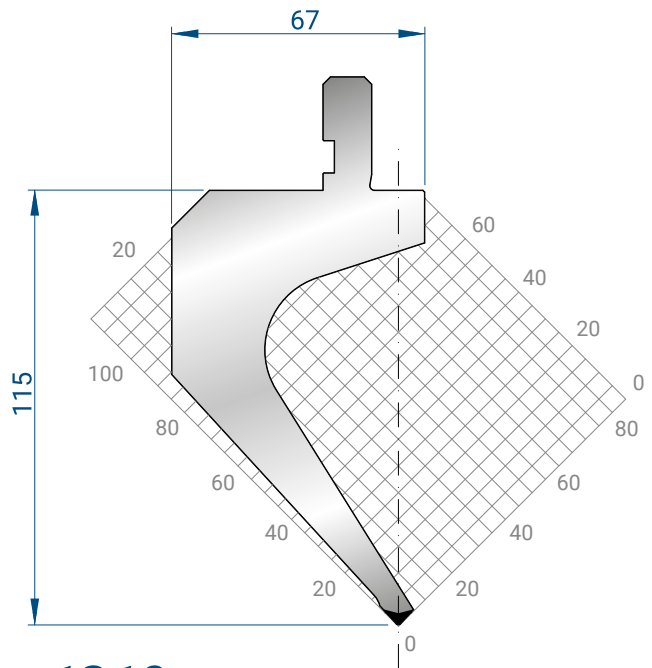
835 mm	23,0 kg
415 mm	11,0 kg
805 mm	23,0 kg
FRAZ. / SECT.	



1309

Mat = C45
H = 120.00
Max T/m = 70
 α = 85°
R = 0.8

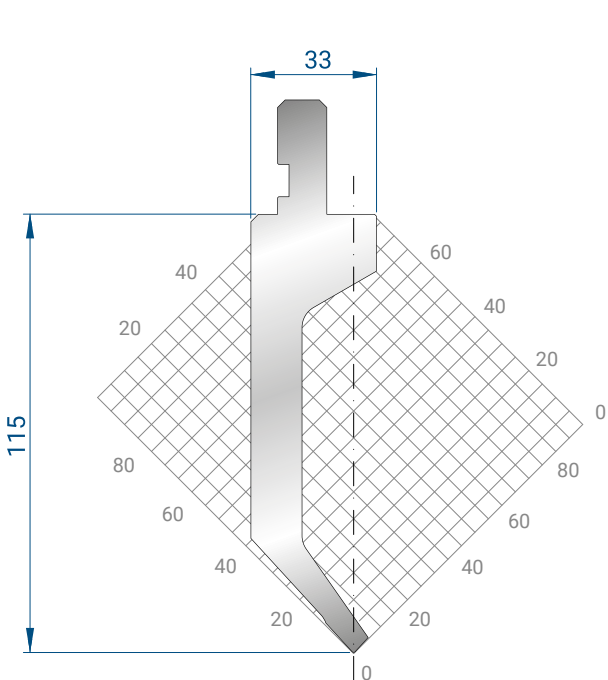
835 mm	15,9 kg
415 mm	8,0 kg
805 mm	15,9 kg
FRAZ. / SECT.	



1310

Mat = 42CrMo4
 bonificato / *tempered*
H = 115.00
Max T/m = 35
 α = 85°
R = 0.8

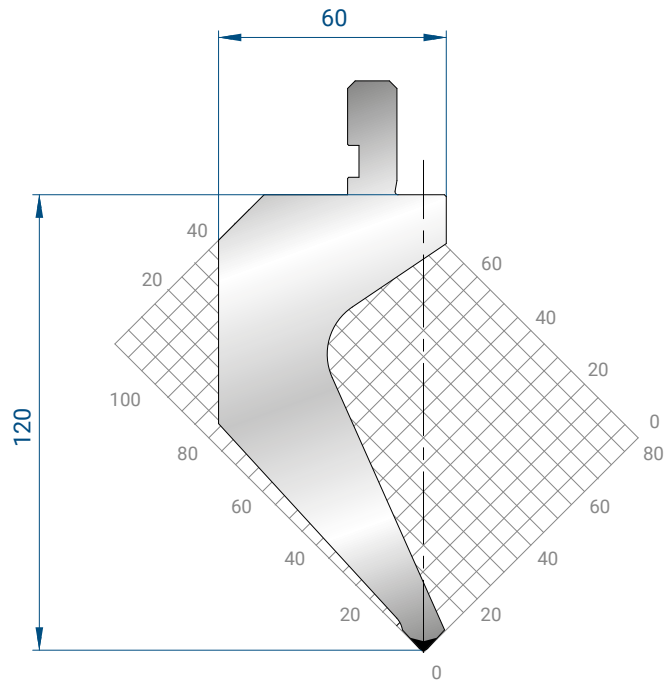
835 mm	23,0 kg
415 mm	11,5 kg
805 mm	23,0 kg
FRAZ. / SECT.	



1312

Mat = 42CrMo4
 bonificato / *tempered*
H = 115.00
Max T/m = 20
 α = 85°
R = 0.6

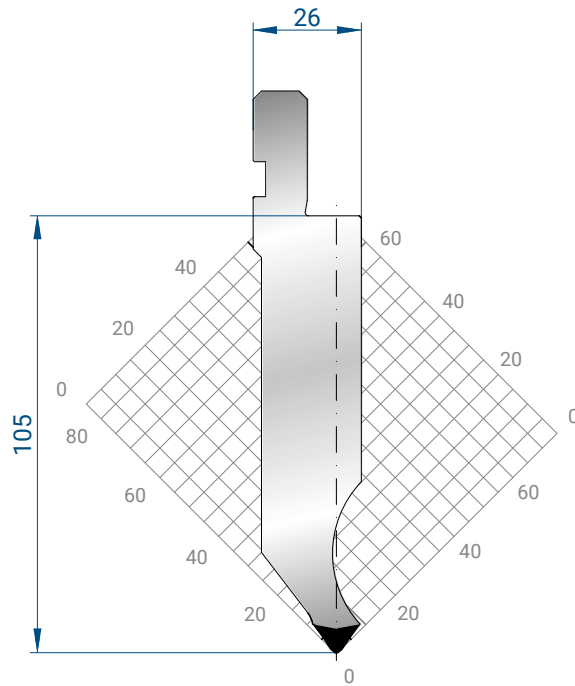
835 mm	14,5 kg
415 mm	7,2 kg
805 mm	14,5 kg
FRAZ. / SECT.	



1322

Mat = 42CrMo4
 bonificato / *tempered*
H = 120.00
Max T/m = 100
 α = 85°
R = 1.5

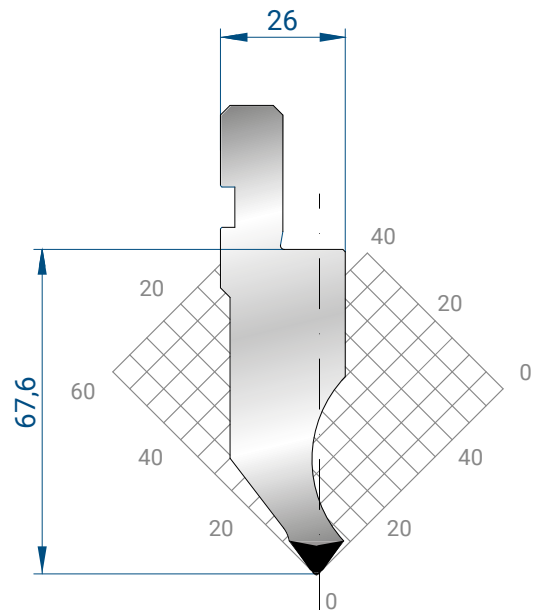
835 mm	26,7 kg
415 mm	13,3 kg
805 mm	26,7 kg
FRAZ. / SECT.	



1338

Mat = 42CrMo4
 bonificato/ tempered
H = 105
Max T/m = 100
 α = 75°
R = 0.8

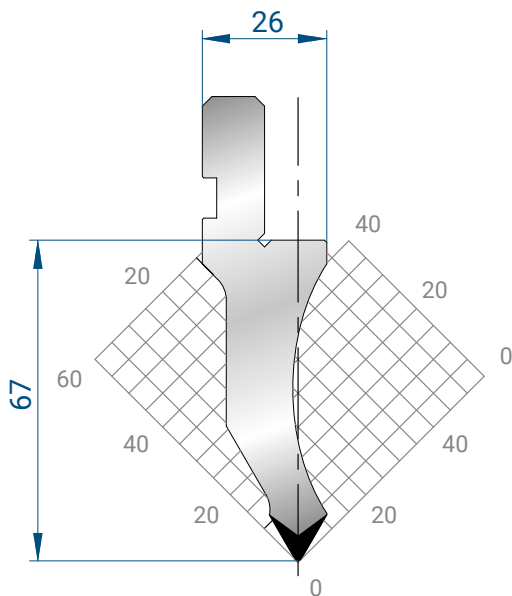
835 mm	16,4 kg
415 mm	8,1 kg
805 mm FRAZ. / SECT.	15,0 kg



1339

Mat = 42CrMo4
 bonificato/ tempered
H = 67,6
Max T/m = 100
 α = 75°
R = 0.8

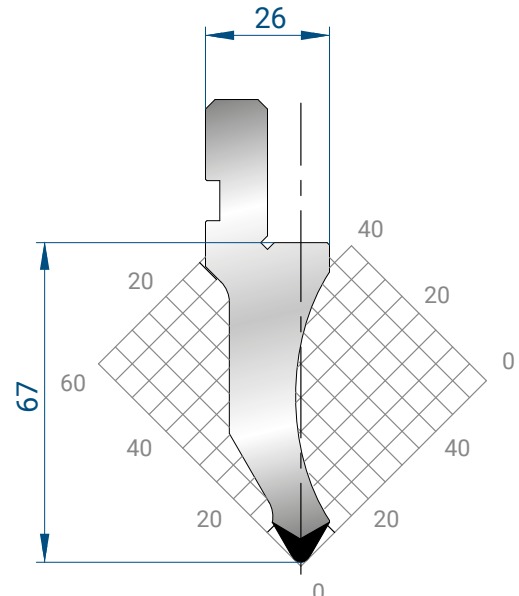
835 mm	10,5 kg
415 mm	5,2 kg
805 mm FRAZ. / SECT.	9,7 kg



1026

Mat = C45
H = 67.00
Max T/m = 80
 α = 60°
R = 0.8

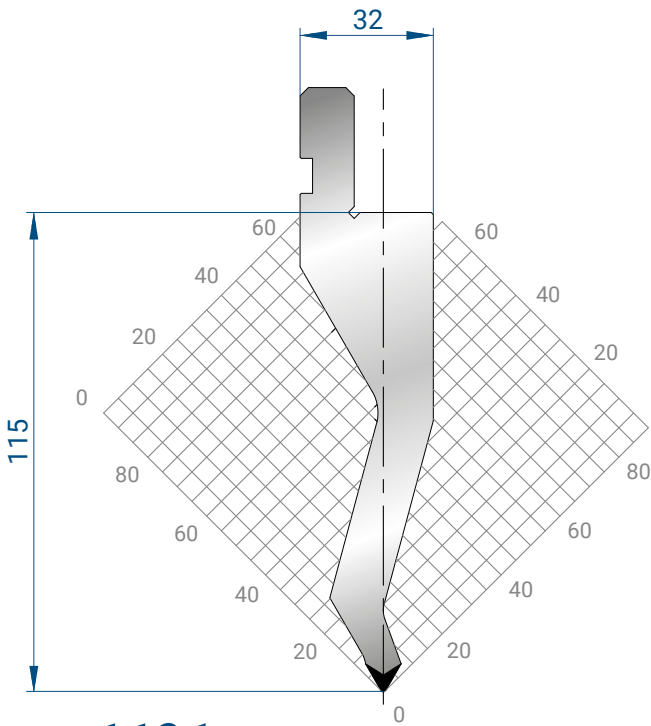
835 mm	9,0 kg
415 mm	4,0 kg
805 mm FRAZ. / SECT.	9,0 kg



1027

Mat = C45
H = 67.00
Max T/m = 80
 α = 60°
R = 2

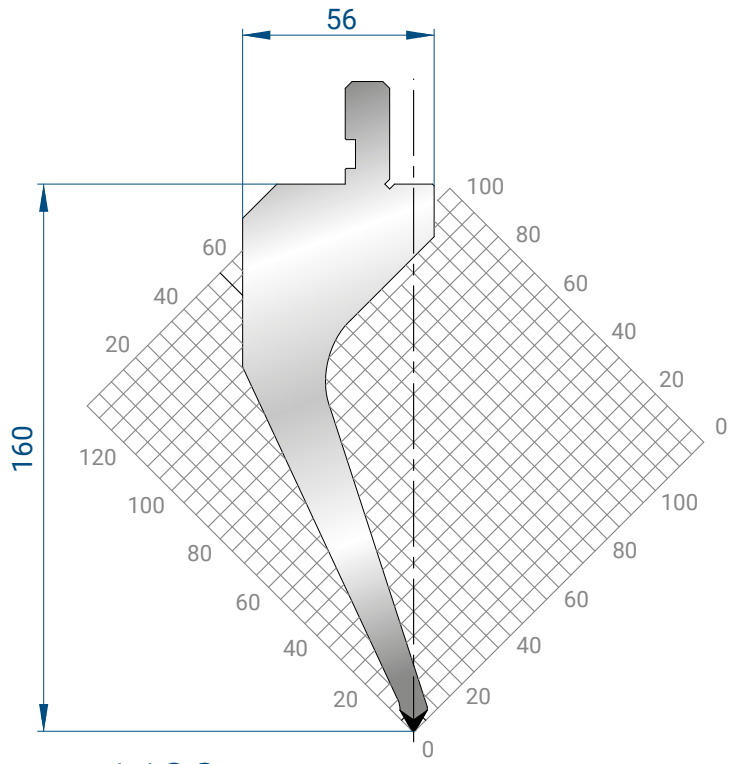
835 mm	9,0 kg
415 mm	4,0 kg
805 mm FRAZ. / SECT.	9,0 kg



1191

Mat = C45
H = 115.00
Max T/m = 60
 α = 60°
R = 0.8

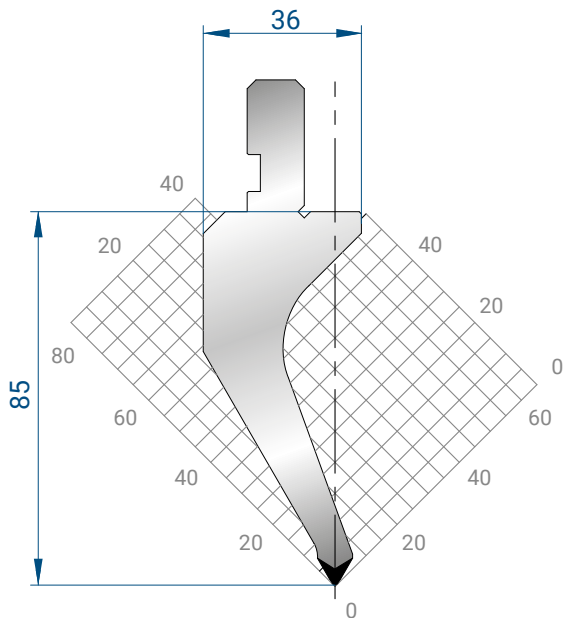
835 mm	15,0 kg
415 mm	7,0 kg
805 mm	15,0 kg
FRAZ. / SECT.	



1190

Mat = C45
 bonificato / *tempered*
H = 160.00
Max T/m = 40
 α = 60°
R = 0.8

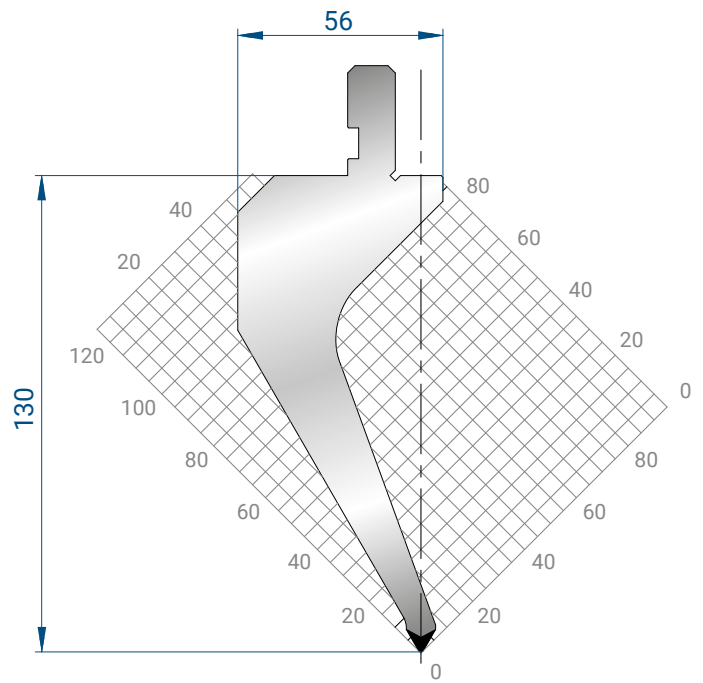
835 mm	27,0 kg
415 mm	13,5 kg
805 mm	27,0 kg
FRAZ. / SECT.	



1162

Mat = 42CrMo4
 bonificato / *tempered*
H = 85.00
Max T/m = 40
 α = 60°
R = 0.8

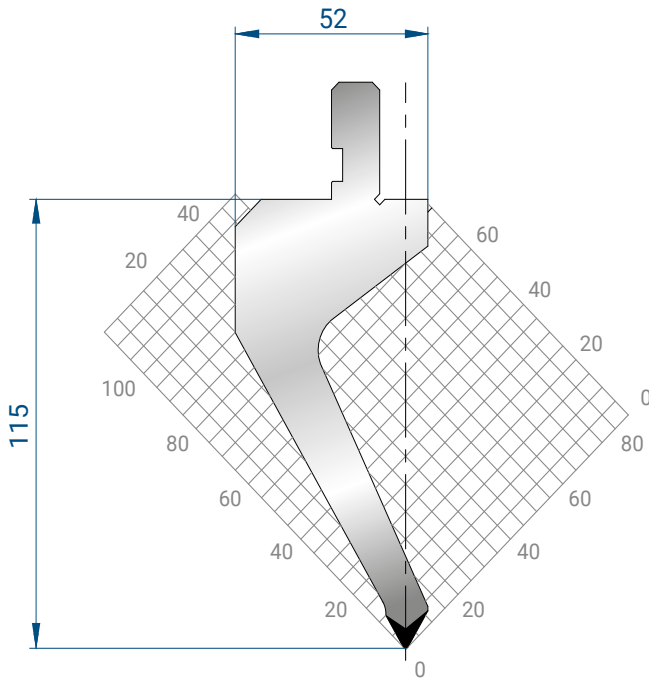
835 mm	12,0 kg
415 mm	6,0 kg
805 mm	12,0 kg
FRAZ. / SECT.	



1163

Mat = C45
 bonificato / *tempered*
H = 130.00
Max T/m = 40
 α = 60°
R = 0.8

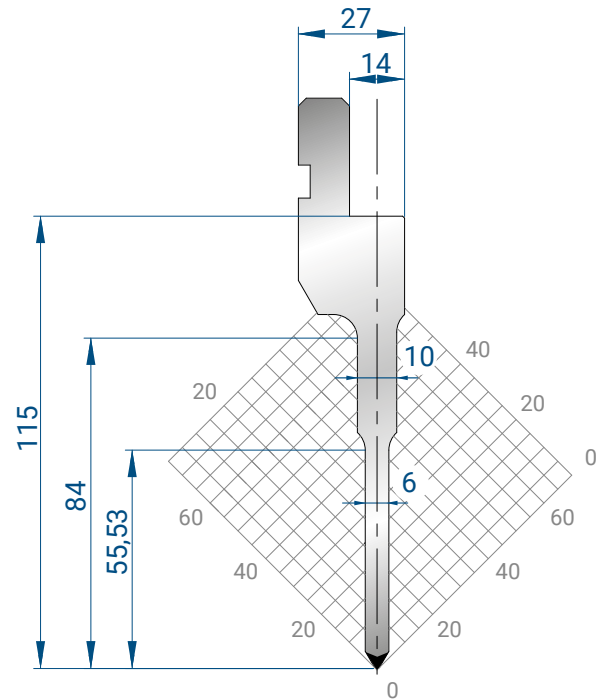
835 mm	23,0 kg
415 mm	11,0 kg
805 mm	23,0 kg
FRAZ. / SECT.	



1272

Mat = C45
 bonificato / *tempered*
H = 115.00
Max T/m = 40
 α = 60°
R = 0.8

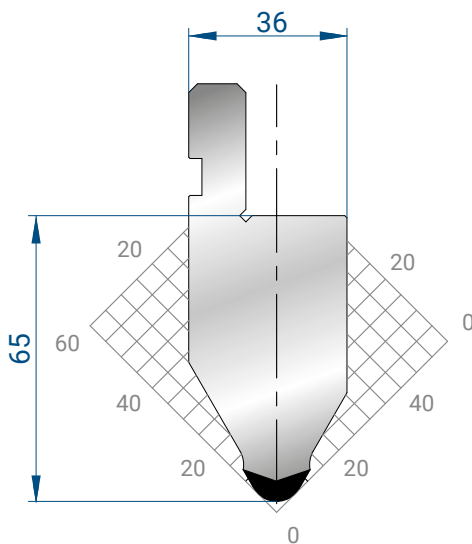
835 mm	20,0 kg
415 mm	10,0 kg
805 mm	20,0 kg
FRAZ. / SECT.	



1271

Mat = C45
 bonificato / *tempered*
H = 115.00
Max T/m = 50
 α = 60°
R = 0.8

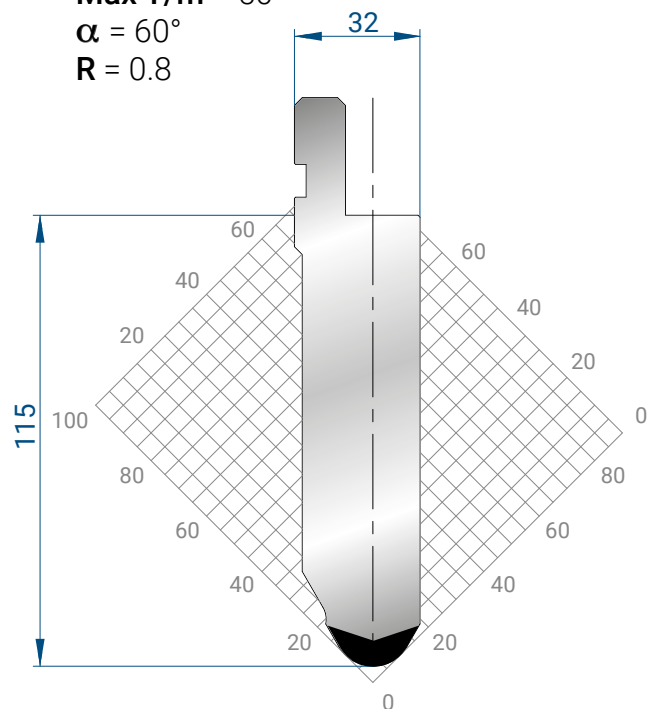
835 mm	9,0 kg
415 mm	4,0 kg
805 mm	9,0 kg
FRAZ. / SECT.	



1032

Mat = C45
H = 65.00
Max T/m = 120
 α = 60°
R = 6

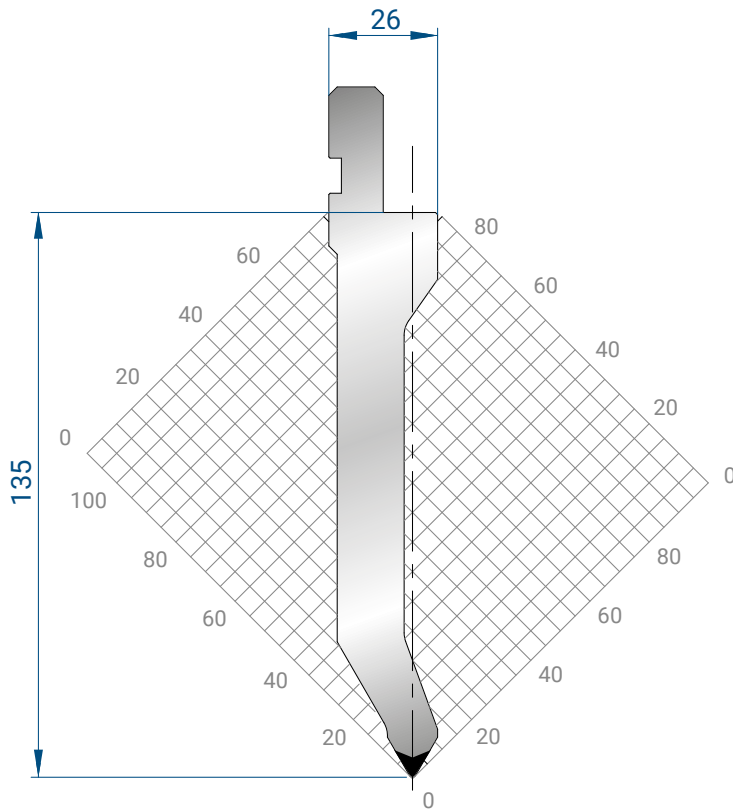
835 mm	14,0 kg
415 mm	7,0 kg
805 mm	14,0 kg
FRAZ. / SECT.	



1283

Mat = C45
H = 115.00
Max T/m = 150
 α = 60°
R = 10

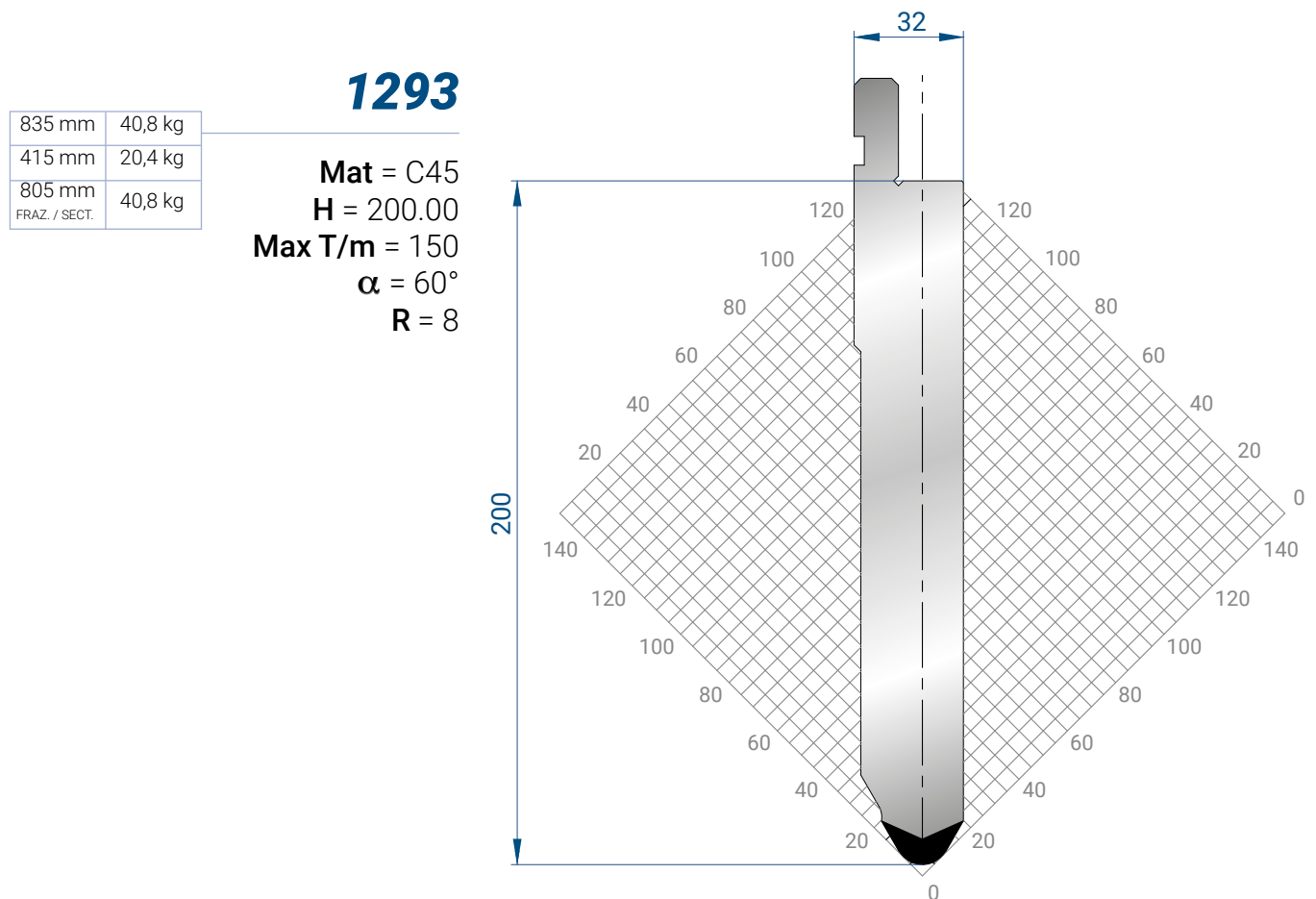
835 mm	25,0 kg
415 mm	12,0 kg
805 mm	25,0 kg
FRAZ. / SECT.	



1284

Mat = C45
H = 135.00
Max T/m = 70
 $\alpha = 60^\circ$
R = 0.8

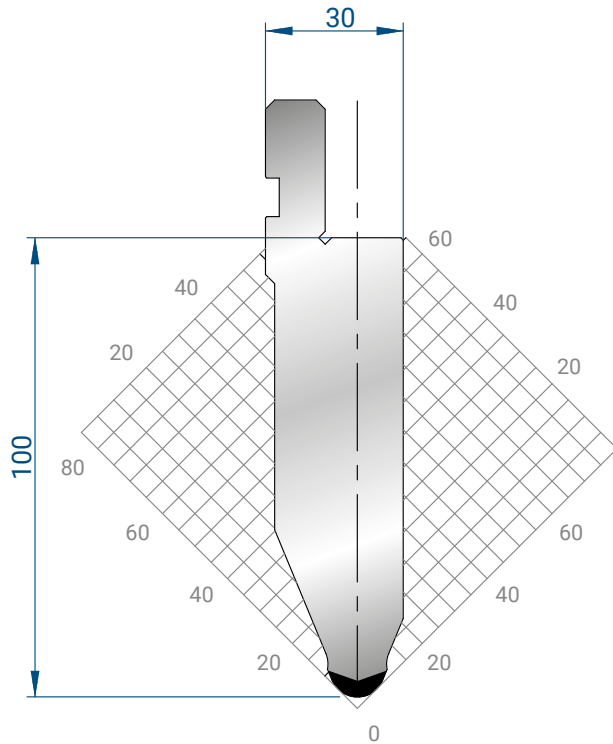
835 mm	19,0 kg
415 mm	9,0 kg
805 mm	19,0 kg
FRAZ. / SECT.	



1293

Mat = C45
H = 200.00
Max T/m = 150
 $\alpha = 60^\circ$
R = 8

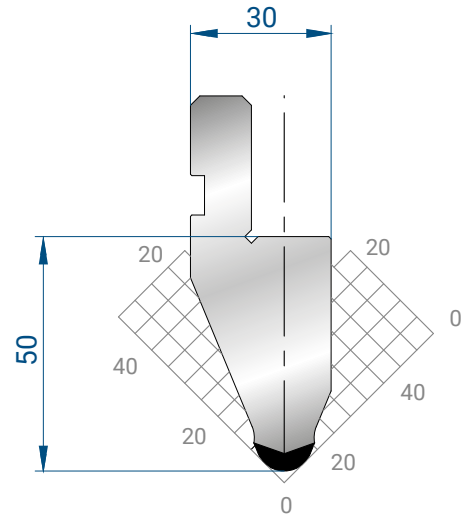
835 mm	40,8 kg
415 mm	20,4 kg
805 mm	40,8 kg
FRAZ. / SECT.	



1053

Mat = C45
 H = 100.00
 Max T/m = 100
 $\alpha = 45^\circ$
 R = 6

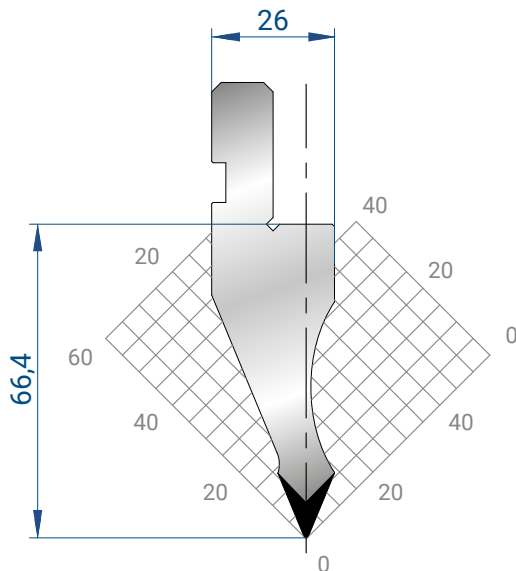
835 mm	19,0 kg
415 mm	9,0 kg
805 mm	19,0 kg
FRAZ. / SECT.	



1054

Mat = C45
 H = 50.00
 Max T/m = 100
 $\alpha = 45^\circ$
 R = 6

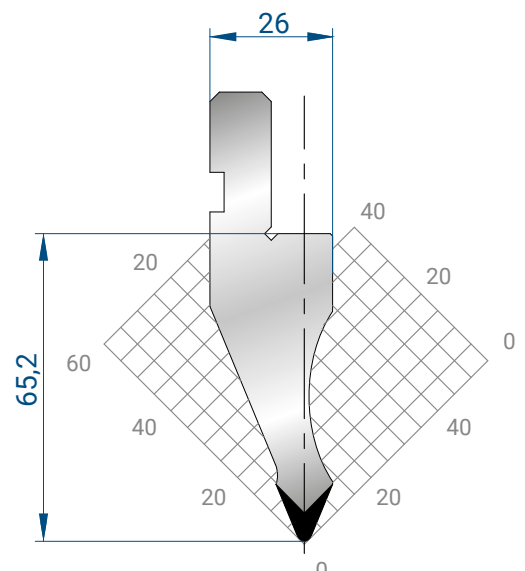
835 mm	9,0 kg
415 mm	4,0 kg
805 mm	9,0 kg
FRAZ. / SECT.	



1024

Mat = C45
 H = 66.40
 Max T/m = 80
 $\alpha = 45^\circ$
 R = 0.5

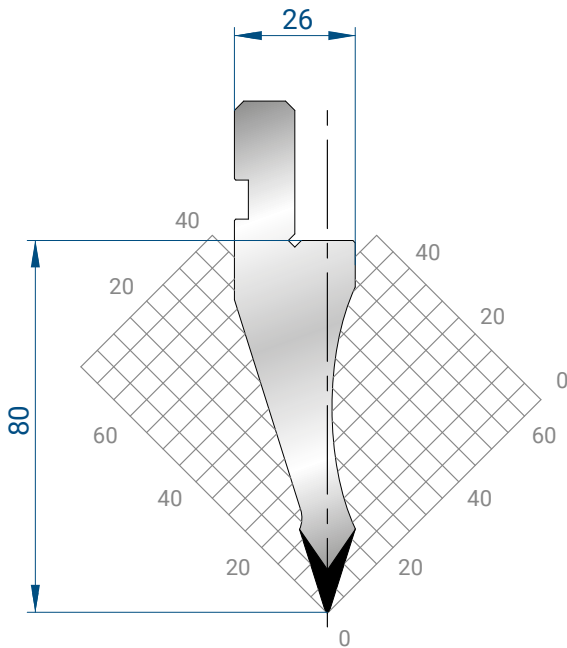
835 mm	10,0 kg
415 mm	5,0 kg
805 mm	10,0 kg
FRAZ. / SECT.	



1025

Mat = C45
 H = 65.20
 Max T/m = 80
 $\alpha = 45^\circ$
 R = 1.5

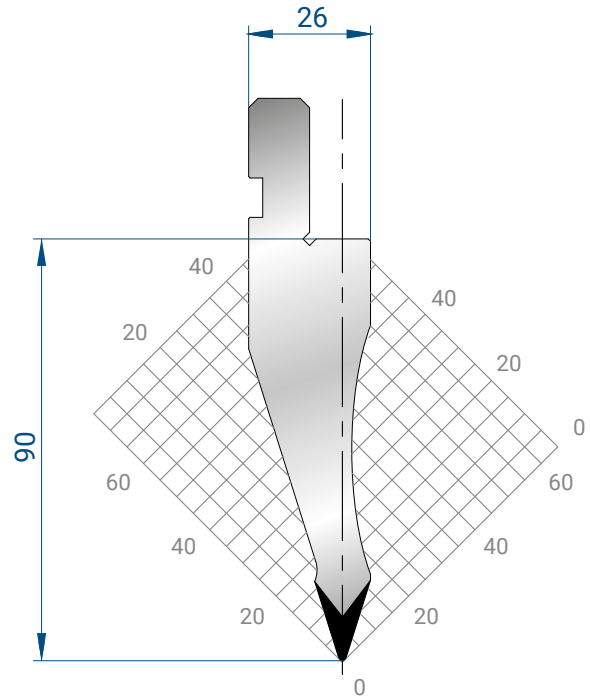
835 mm	10,0 kg
415 mm	5,0 kg
805 mm	10,0 kg
FRAZ. / SECT.	



1035

Mat = C45
 H = 80.00
 Max T/m = 70
 $\alpha = 35^\circ$
 R = 0.5

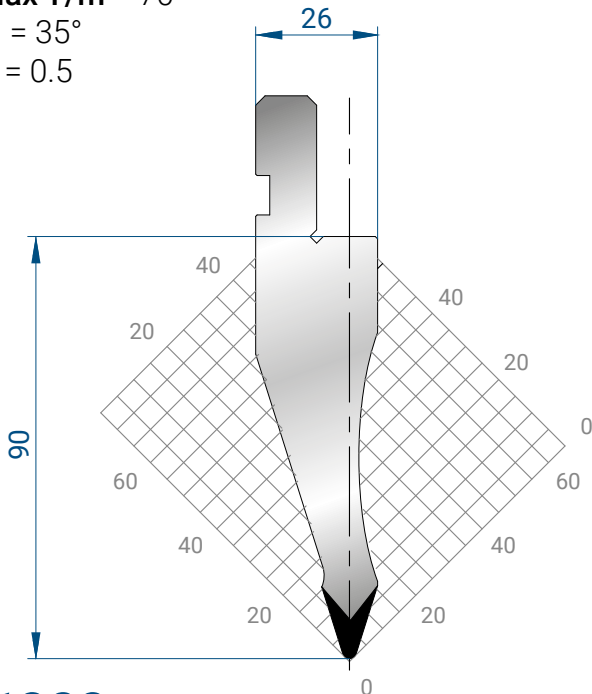
835 mm	11,0 kg
415 mm	5,0 kg
805 mm	11,0 kg
FRAZ. / SECT.	



1047

Mat = C45
 H = 90.00
 Max T/m = 70
 $\alpha = 35^\circ$
 R = 0.8

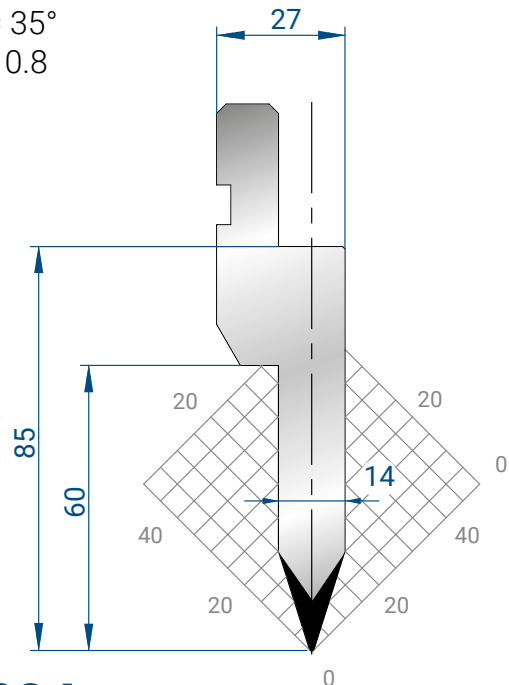
835 mm	12,0 kg
415 mm	6,0 kg
805 mm	12,0 kg
FRAZ. / SECT.	



1282

Mat = C45
 H = 90.00
 Max T/m = 70
 $\alpha = 35^\circ$
 R = 1.5

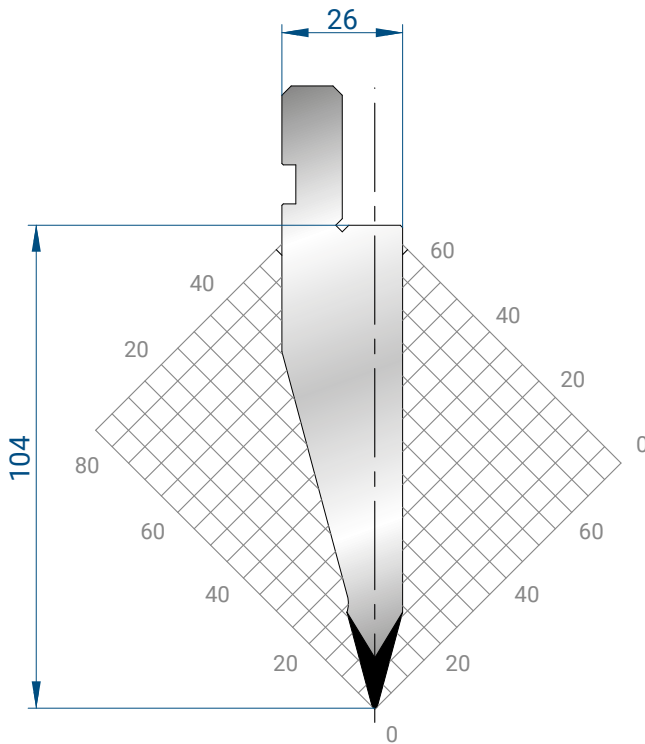
835 mm	12,0 kg
415 mm	6,0 kg
805 mm	12,0 kg
FRAZ. / SECT.	



1034

Mat = C45
 H = 85.00
 Max T/m = 100
 $\alpha = 35^\circ$
 P = 0.8

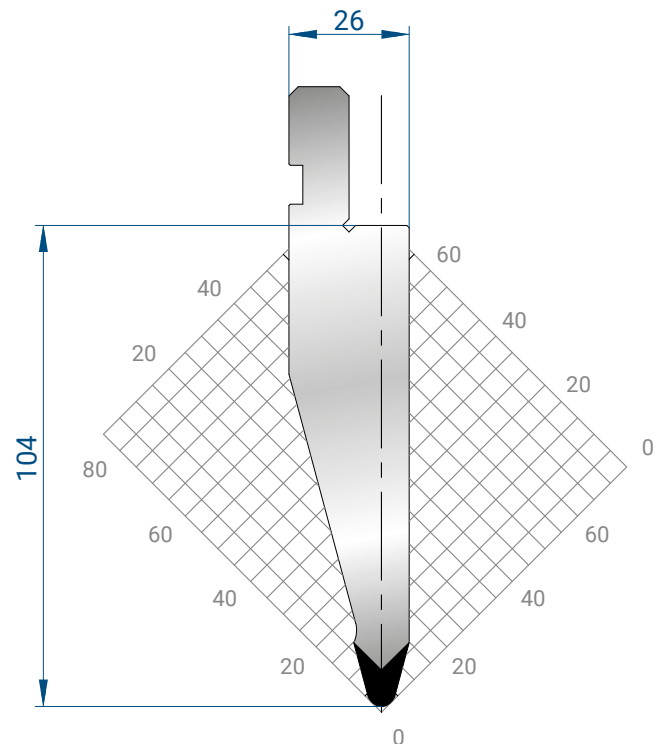
835 mm	10,0 kg
415 mm	5,0 kg
805 mm	10,0 kg
FRAZ. / SECT.	



1193

Mat = C45
 H = 104.00
 Max T/m = 100
 $\alpha = 30^\circ$
 R = 0.6

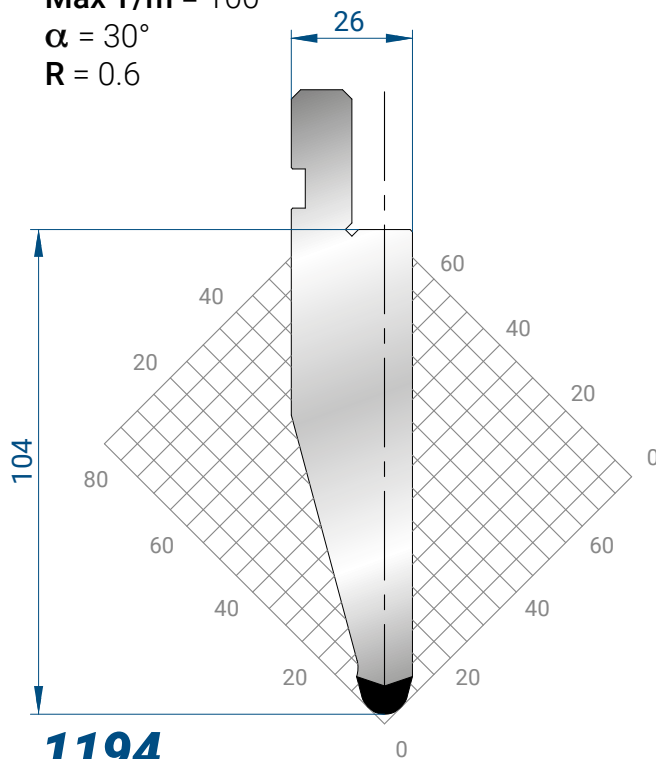
835 mm	16,0 kg
415 mm	8,0 kg
805 mm	16,0 kg
FRAZ. / SECT.	



1289

Mat = C45
 H = 104.00
 Max T/m = 100
 $\alpha = 30^\circ$
 R = 3

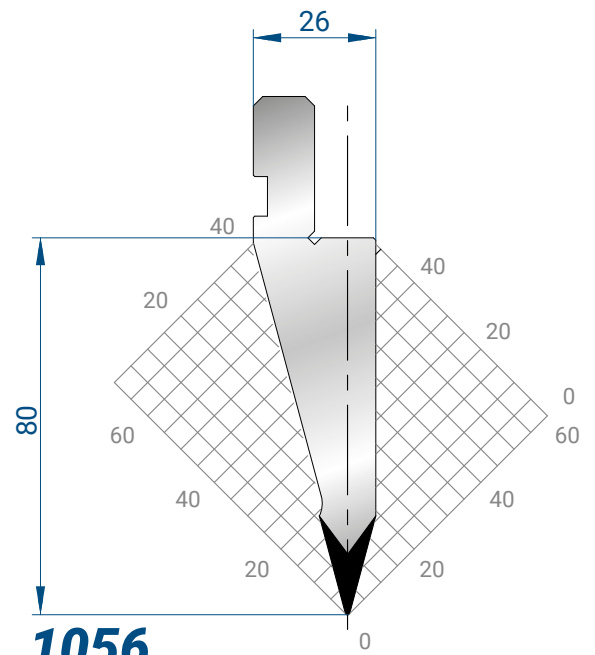
835 mm	16,0 kg
415 mm	8,0 kg
805 mm	16,0 kg
FRAZ. / SECT.	



1194

Mat = C45
 H = 104.00
 Max T/m = 100
 $\alpha = 30^\circ$
 R = 5

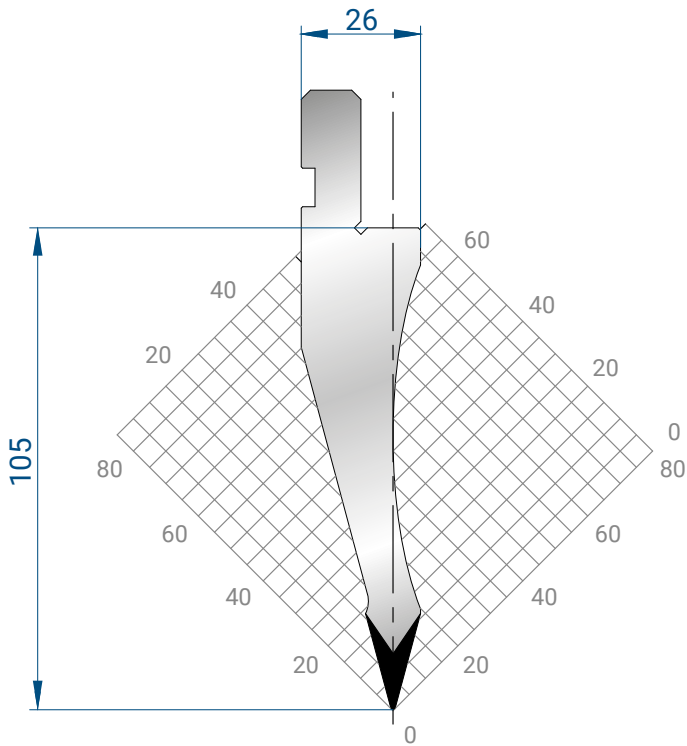
835 mm	16,0 kg
415 mm	8,0 kg
805 mm	16,0 kg
FRAZ. / SECT.	



1056

Mat = C45
 H = 80.00
 Max T/m = 100
 $\alpha = 30^\circ$
 R = 0.5

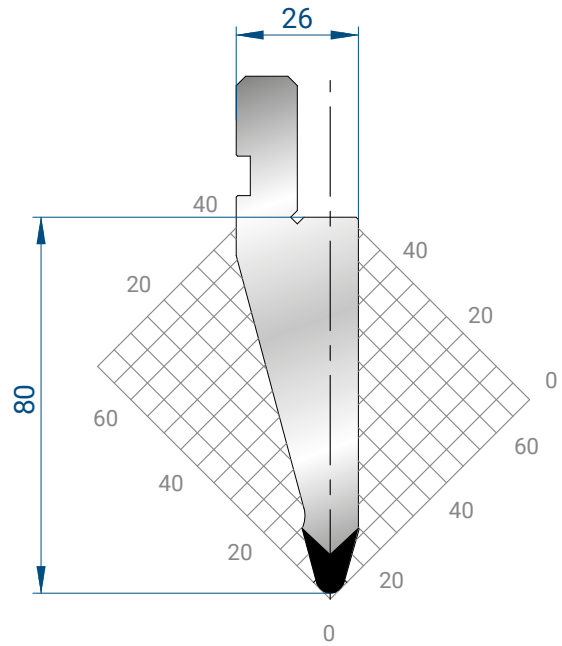
835 mm	10,0 kg
415 mm	5,0 kg
805 mm	10,0 kg
FRAZ. / SECT.	



1055

Mat = C45
 H = 105.00
 Max T/m = 50
 $\alpha = 30^\circ$
 R = 0.5

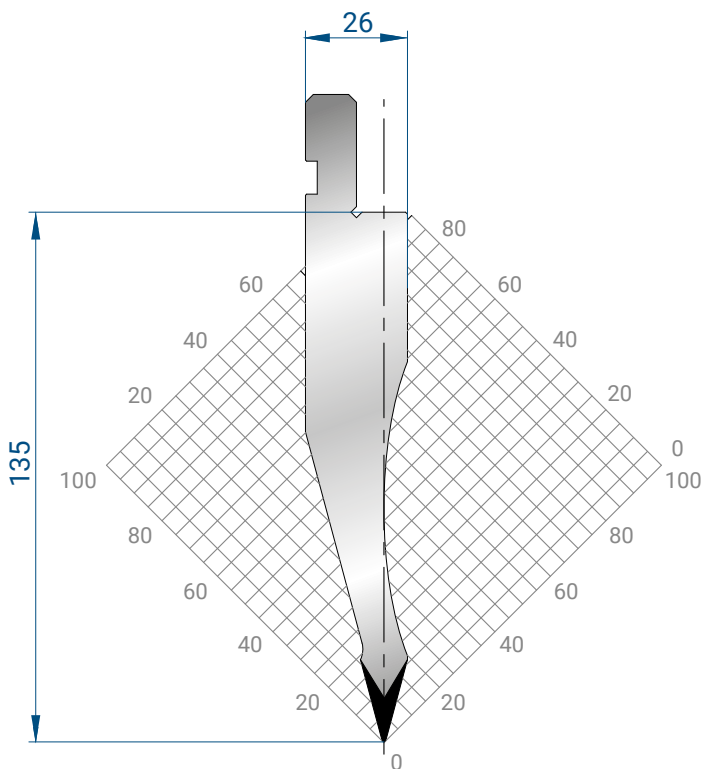
835 mm	15,0 kg
415 mm	7,0 kg
805 mm FRAZ. / SECT.	15,0 kg



1057

Mat = C45
 H = 80.00
 Max T/m = 100
 $\alpha = 30^\circ$
 R = 3

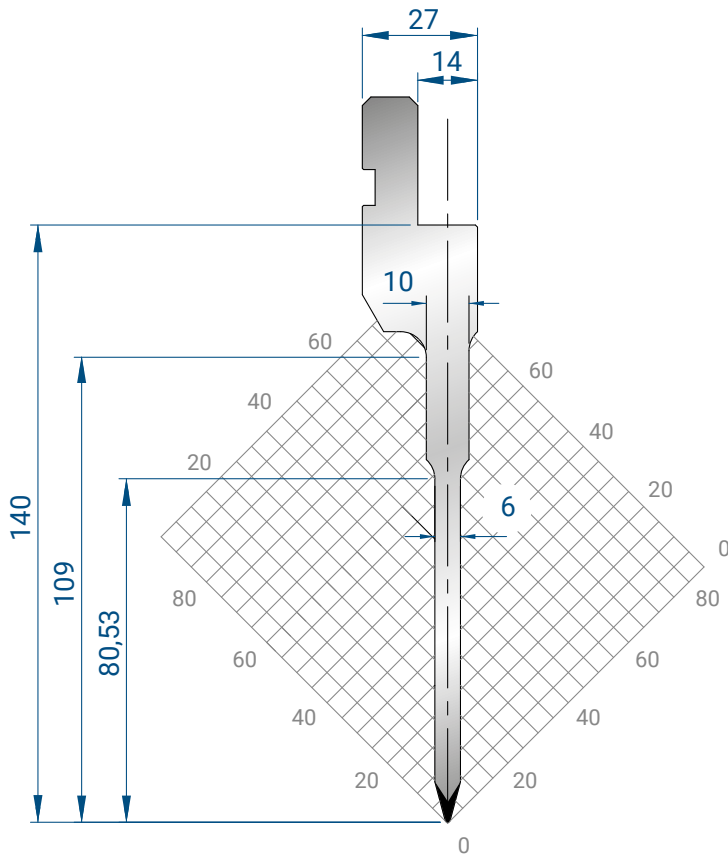
835 mm	10,0 kg
415 mm	5,0 kg
805 mm FRAZ. / SECT.	10,0 kg



1052

Mat = C45
 H = 135.00
 Max T/m = 50
 $\alpha = 30^\circ$
 R = 0.5

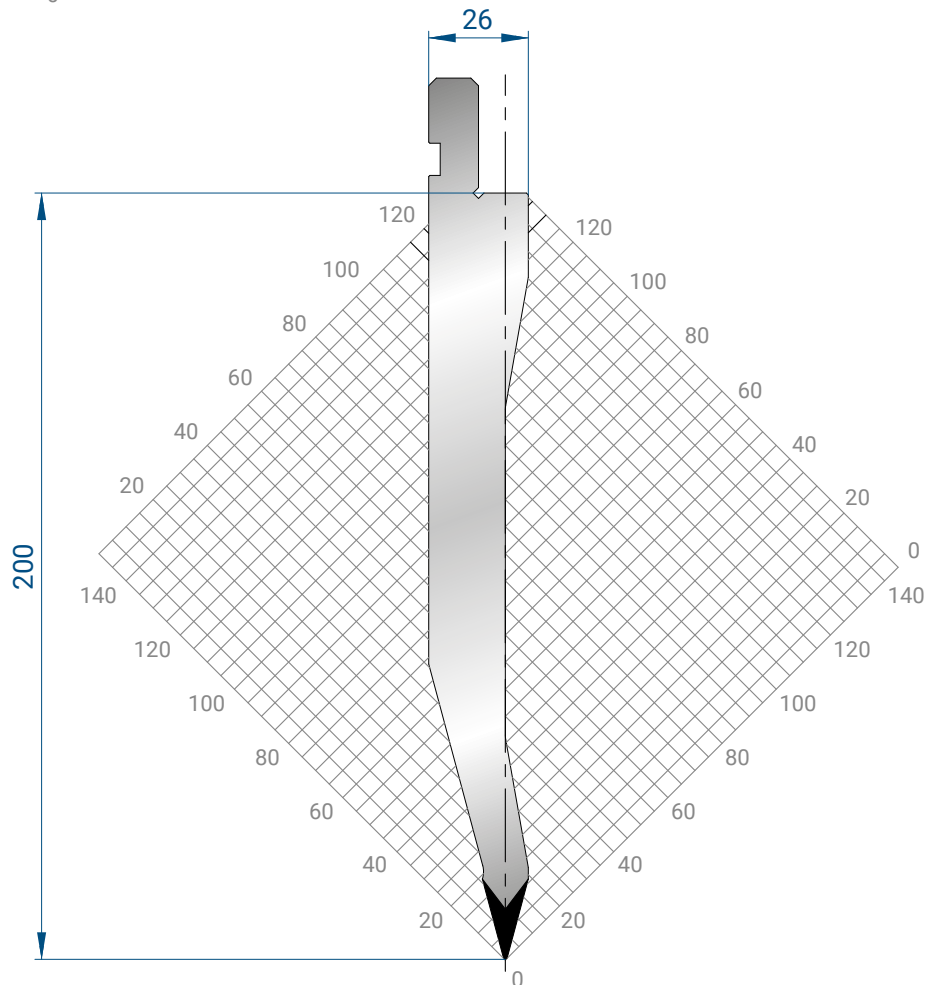
835 mm	19,0 kg
415 mm	9,0 kg
805 mm FRAZ. / SECT.	19,0 kg



1086

Mat = C45
 bonificato / *tempered*
 H = 140.00
 Max T/m = 40
 $\alpha = 30^\circ$
 R = 0.6

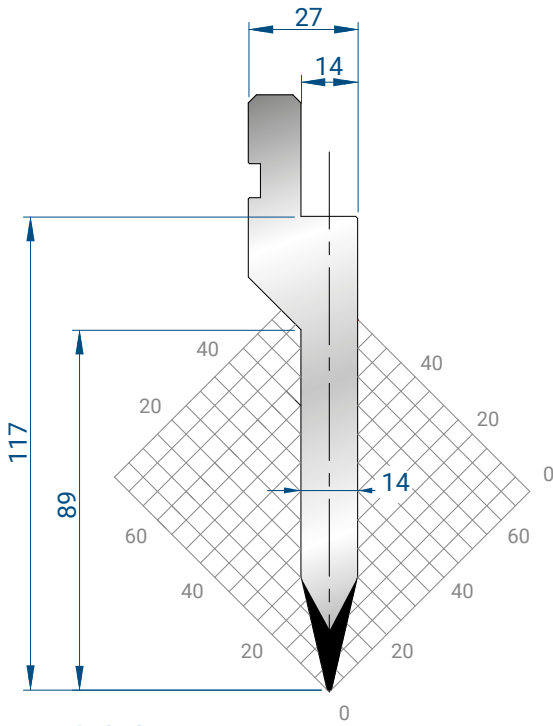
835 mm	11,0 kg
415 mm	5,0 kg
805 mm	11,0 kg
FRAZ. / SECT.	



1292

Mat = C45
 H = 200.00
 Max T/m = 50
 $\alpha = 30^\circ$
 R = 0.5

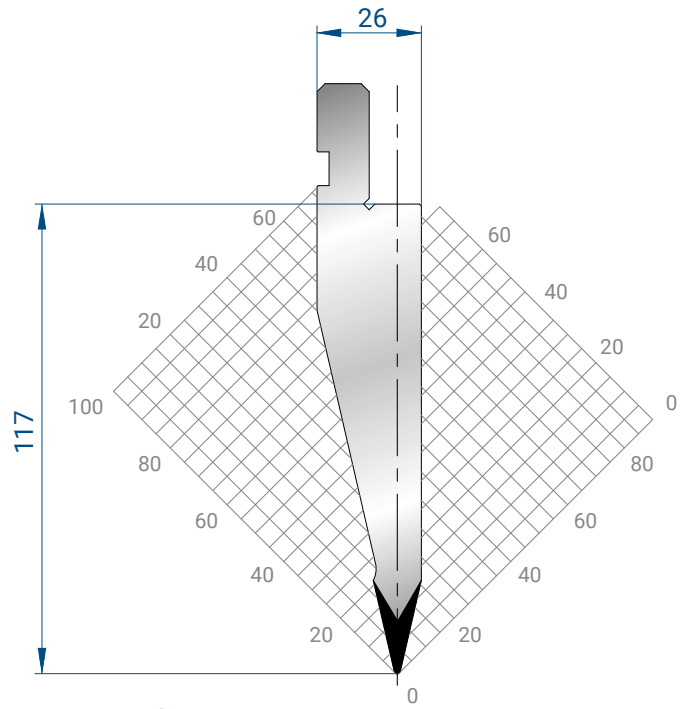
835 mm	25,0 kg
415 mm	13,0 kg
805 mm	25,0 kg
FRAZ. / SECT.	



1033

Mat = C45
 H = 117.00
 Max T/m = 100
 $\alpha = 26^\circ$
 P = 1

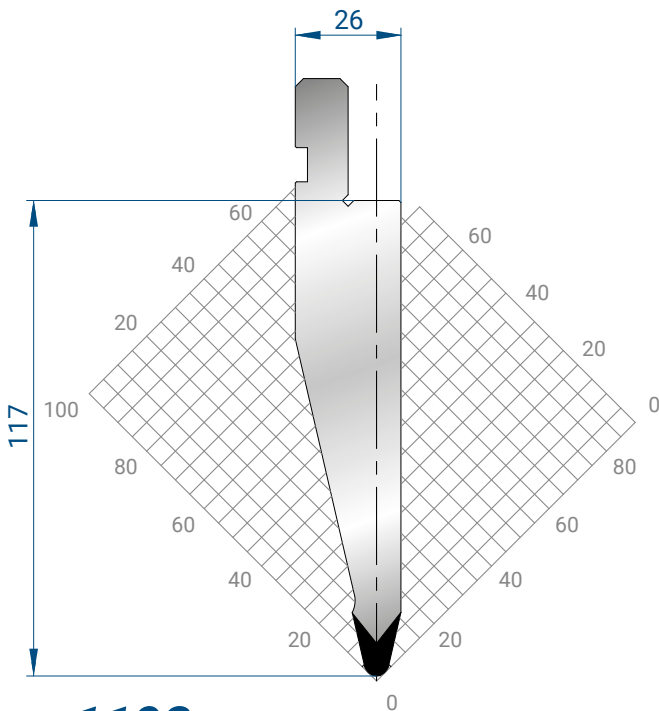
835 mm	13,8 kg
415 mm	6,0 kg
805 mm	13,8 kg
FRAZ. / SECT.	



1178

Mat = C45
 H = 117.00
 Max T/m = 100
 $\alpha = 26^\circ$
 R = 0.8

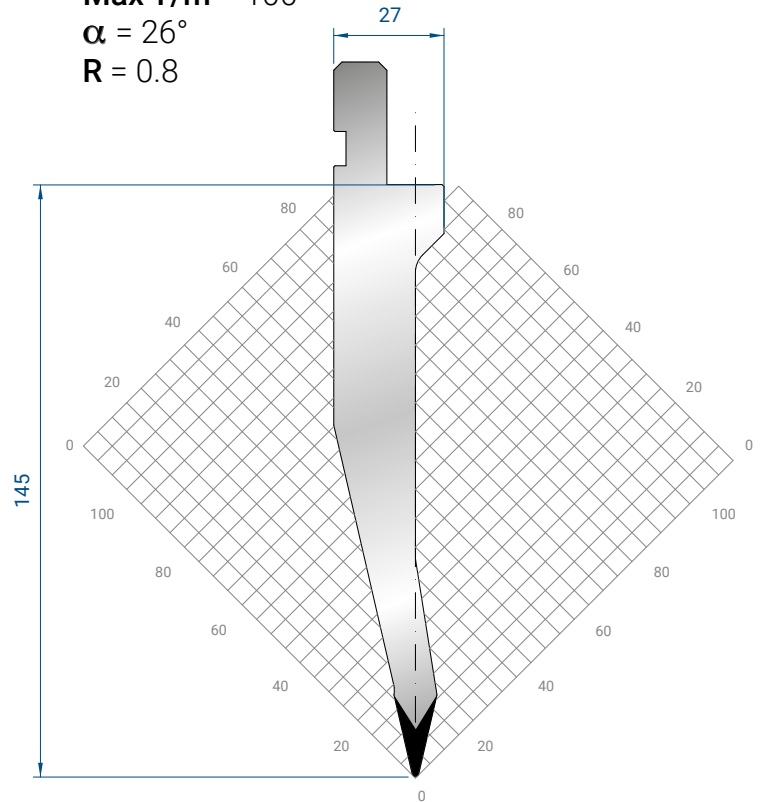
835 mm	16,0 kg
415 mm	8,0 kg
805 mm	16,0 kg
FRAZ. / SECT.	



1192

Mat = C45
 H = 117.00
 Max T/m = 100
 $\alpha = 26^\circ$
 R = 3

835 mm	16,0 kg
415 mm	8,0 kg
805 mm	16,0 kg
FRAZ. / SECT.	



1311

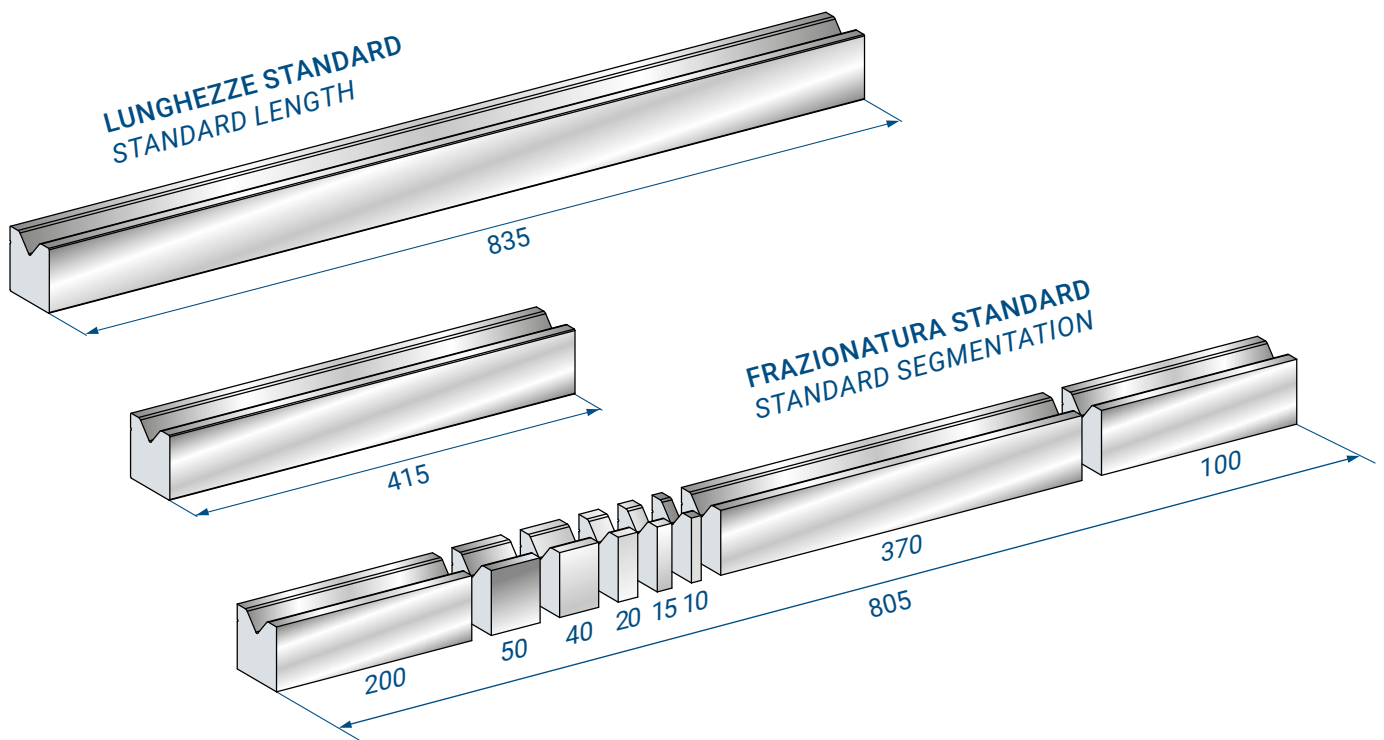
Mat = 42CrMo4 bonificato / tempered
 H = 145.00
 Max T/m = 100
 $\alpha = 26^\circ$
 R = 0.8

835 mm	14,5 kg
415 mm	7,2 kg
805 mm	14,5 kg
FRAZ. / SECT.	



 **EUROSTAMP TOOLING**
the Italian excellence

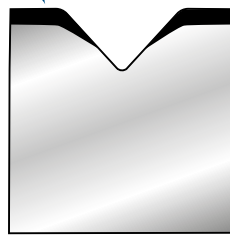




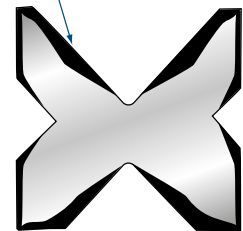
TEMPRATO AD INDUZIONE
INDUCTION HARDENED



TEMPRATO AD INDUZIONE
INDUCTION HARDENED



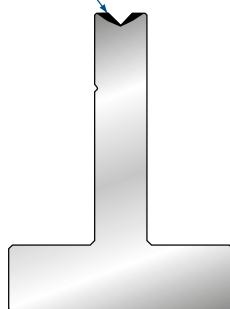
TEMPRATO AD INDUZIONE
INDUCTION HARDENED



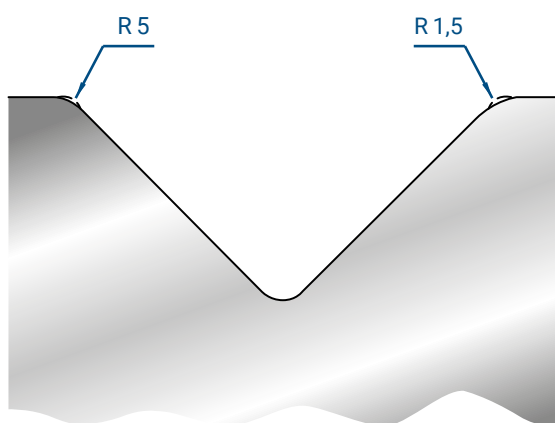
TEMPRATO AD INDUZIONE
INDUCTION HARDENED



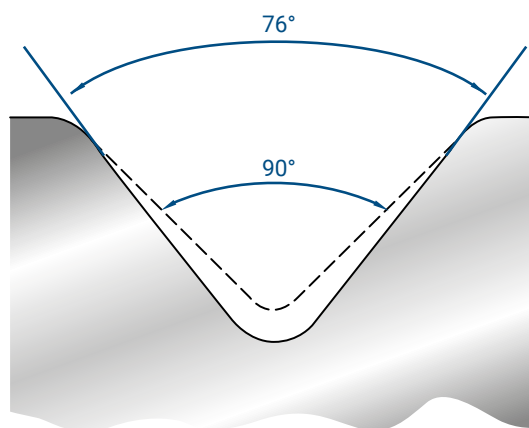
TEMPRATO AD INDUZIONE
INDUCTION HARDENED



TAGLI A RICHIESTA
SPECIAL SEGMENTATION

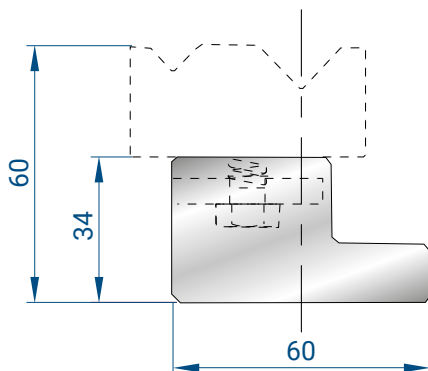


MODIFICA RAGGIO
RADIUS MODIFICATION



MODIFICA ANGOLO
ANGLE MODIFICATION

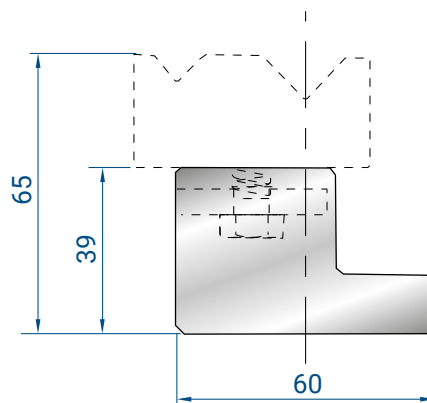




2018

Mat = C45

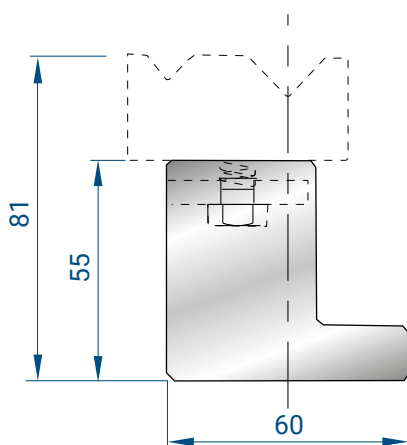
835 mm	9,0 kg
415 mm	4,0 kg



2039

Mat = C45

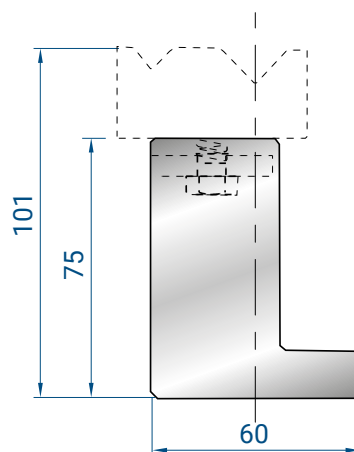
835 mm	12,0 kg
415 mm	6,0 kg



2019

Mat = C45

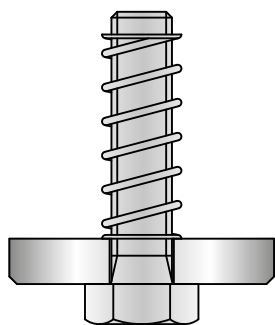
835 mm	15,0 kg
415 mm	7,0 kg



2035

Mat = C45

835 mm	19,0 kg
415 mm	9,0 kg



4277

MOLLA + RONDELLA + VITE
SPRING + WASHER + SCREW

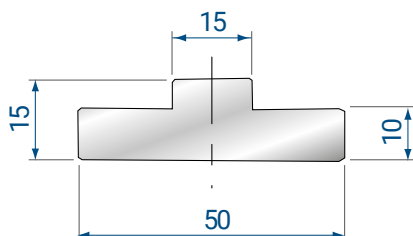
SUPPORTI PER MATRICI AUTOCENTRANTI DIE HOLDERS FOR SELF CENTERING DIES

SUPPORTI PER MATRICI AUTOCENTRANTI DIE HOLDERS FOR SELF-CENTERING DIES

DEVE ESSERE INSTALLATO
SUI SUPPORTI MODELLO:

MUST BE INSTALLED ON
SUPPORT MODEL:

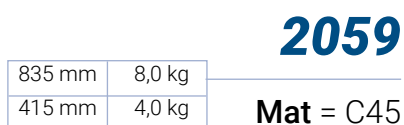
2018 - 2019 - 2035 - 2039



2058

Mat = C45

835 mm	4,0 kg
415 mm	2,0 kg

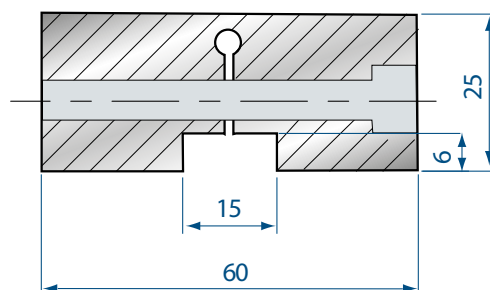


2059

Mat = C45

835 mm	8,0 kg
415 mm	4,0 kg

FERMO PER MATRICI AUTOCENTRANTI FIXED BAR FOR SELF-CENTERING DIES

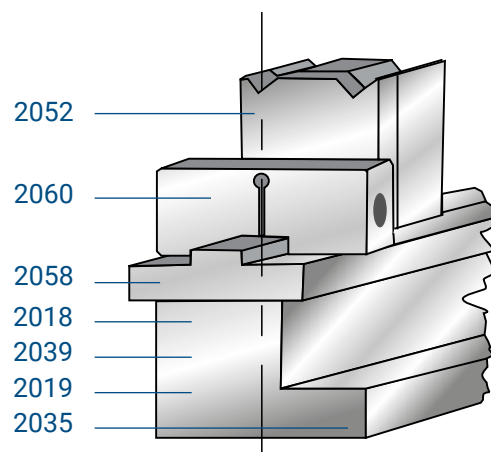


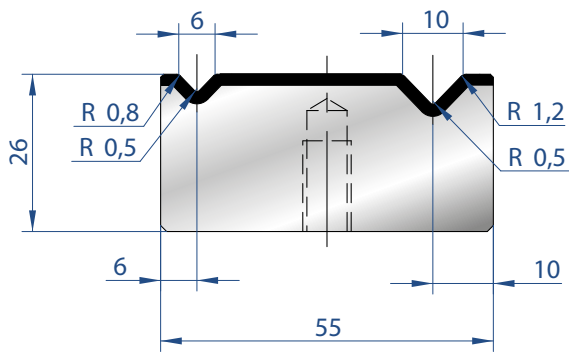
2060

Mat = C45

15 mm	0,2 kg
-------	--------

ESEMPIO DI MONTAGGIO ASSEMBLY EXAMPLE

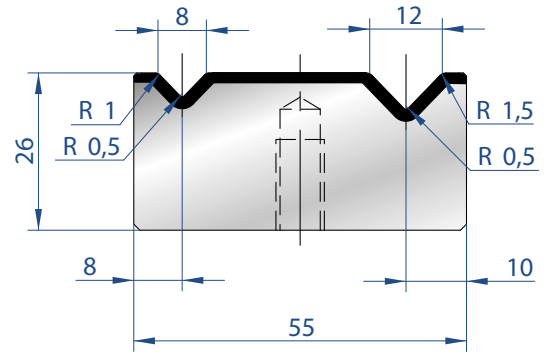




2046

Mat = C45
 Max T/m = 100
 $\alpha = 88^\circ$

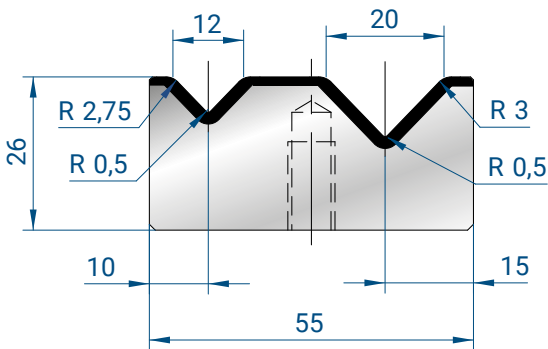
835 mm	9,0 kg
415 mm	4,0 kg



2041

Mat = C45
 Max T/m = 100
 $\alpha = 88^\circ$

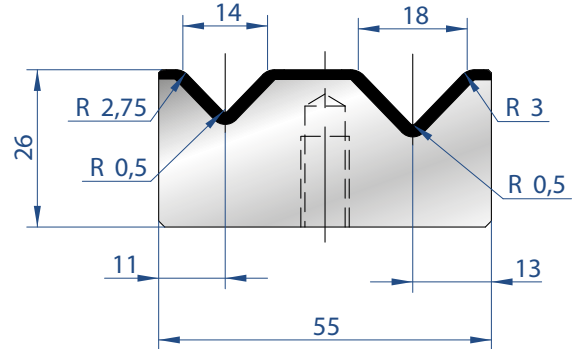
835 mm	9,0 kg
415 mm	4,0 kg



2013

Mat = C45
 Max T/m = 100
 $\alpha = 88^\circ$

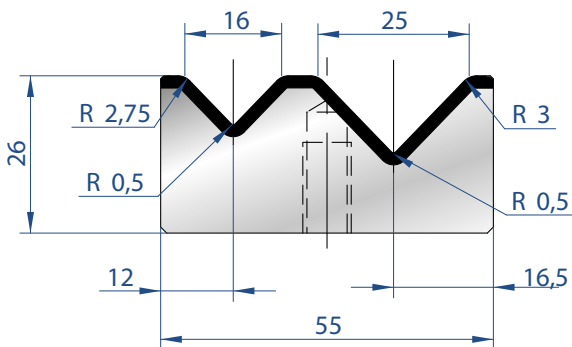
835 mm	9,0 kg
415 mm	4,0 kg



2032

Mat = C45
 Max T/m = 100
 $\alpha = 88^\circ$

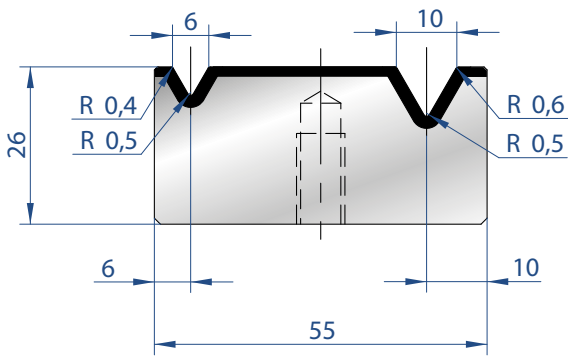
835 mm	9,0 kg
415 mm	4,0 kg



2014

Mat = C45
 Max T/m = 100
 $\alpha = 88^\circ$

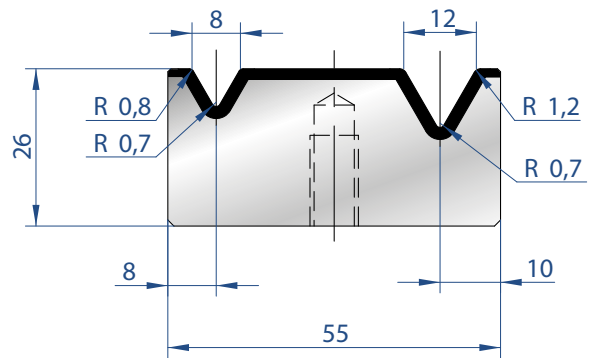
835 mm	8,0 kg
415 mm	4,0 kg



2015

Mat = C45
Max T/m = 60
 $\alpha = 60^\circ$

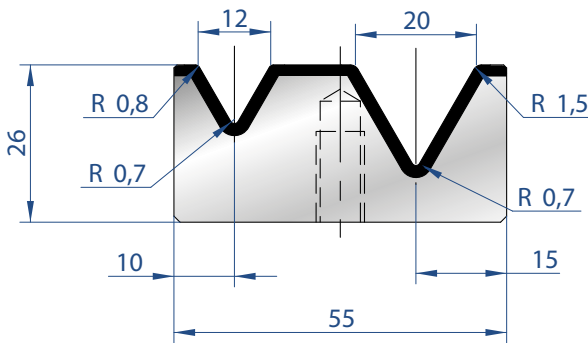
835 mm	8,0 kg
415 mm	4,0 kg



2016

Mat = C45
Max T/m = 60
 $\alpha = 60^\circ$

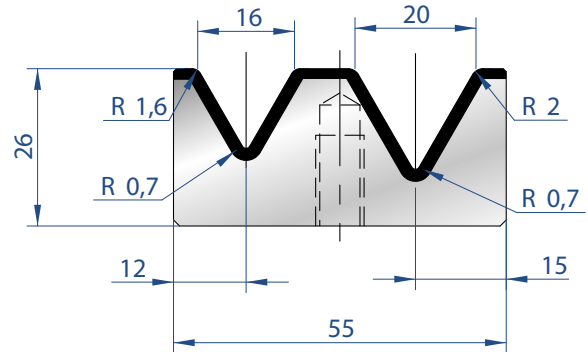
835 mm	8,0 kg
415 mm	4,0 kg



2033

Mat = C45
Max T/m = 60
 $\alpha = 60^\circ$

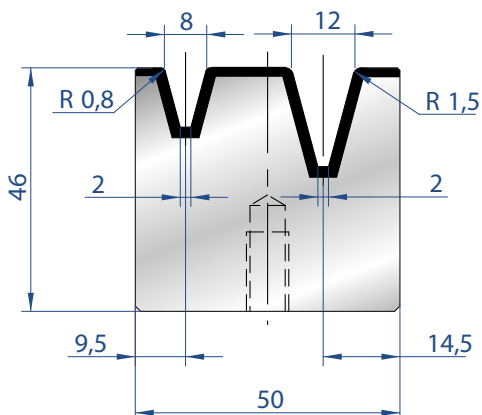
835 mm	8,0 kg
415 mm	4,0 kg



2017

Mat = C45
Max T/m = 60
 $\alpha = 60^\circ$

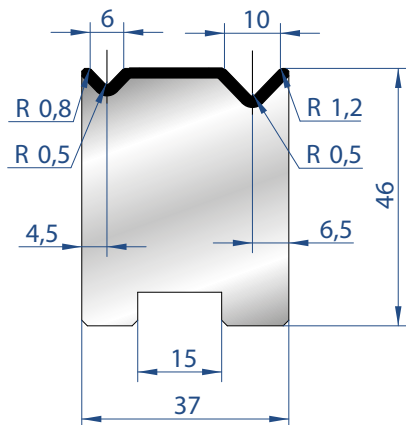
835 mm	8,0 kg
415 mm	4,0 kg



2047

Mat = C45
Max T/m = 40
 $\alpha = 30^\circ$

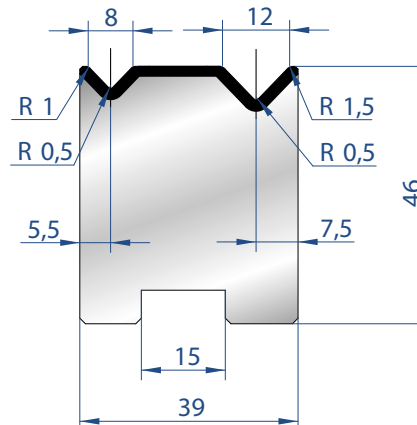
835 mm	8,0 kg
415 mm	4,0 kg



2050

Mat = C45
Max T/m = 80
 $\alpha = 88^\circ$

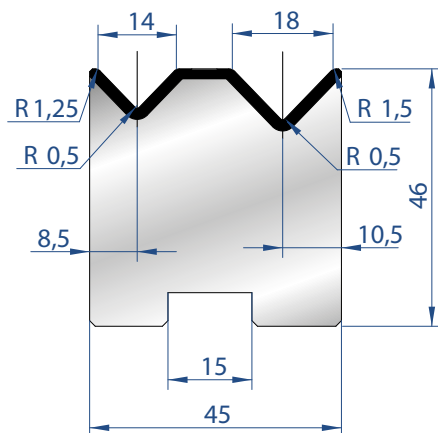
835 mm	10,0 kg
415 mm	5,0 kg
805 mm FRAZ. / SECT.	10,0 kg



2052

Mat = C45
Max T/m = 80
 $\alpha = 88^\circ$

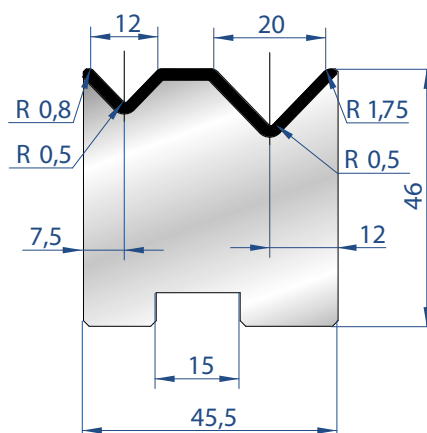
835 mm	10,0 kg
415 mm	5,0 kg
805 mm FRAZ. / SECT.	10,0 kg



2053

Mat = C45
Max T/m = 80
 $\alpha = 88^\circ$

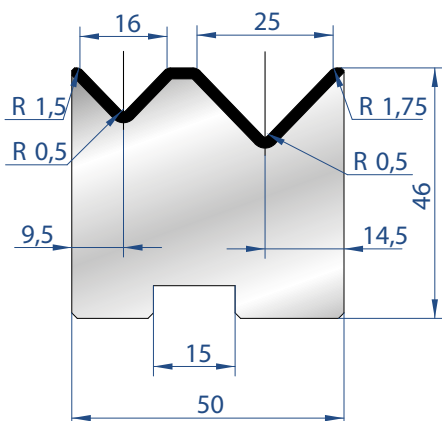
835 mm	12,0 kg
415 mm	6,0 kg
805 mm FRAZ. / SECT.	12,0 kg



2054

Mat = C45
Max T/m = 80
 $\alpha = 88^\circ$

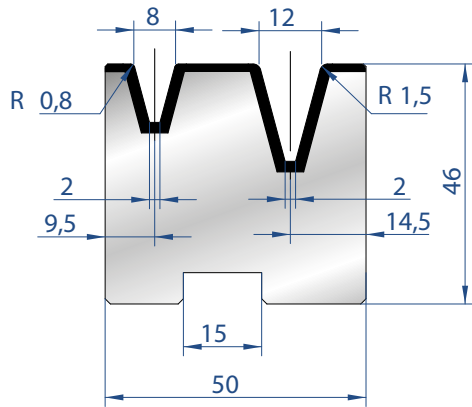
835 mm	12,0 kg
415 mm	6,0 kg
805 mm FRAZ. / SECT.	12,0 kg



2055

Mat = C45
Max T/m = 80
 $\alpha = 88^\circ$

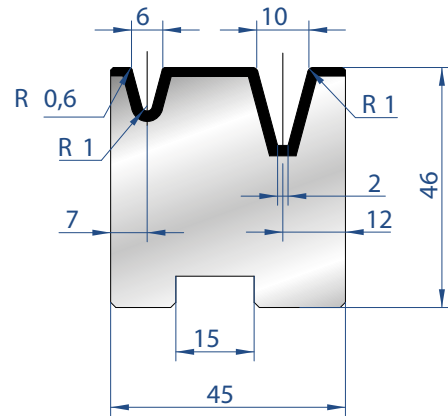
835 mm	13,0 kg
415 mm	6,0 kg
805 mm FRAZ. / SECT.	13,0 kg



2056

Mat = C45
Max T/m = 40
 $\alpha = 30^\circ$

835 mm	13,0 kg
415 mm	6,0 kg
805 mm FRAZ. / SECT.	13,0 kg

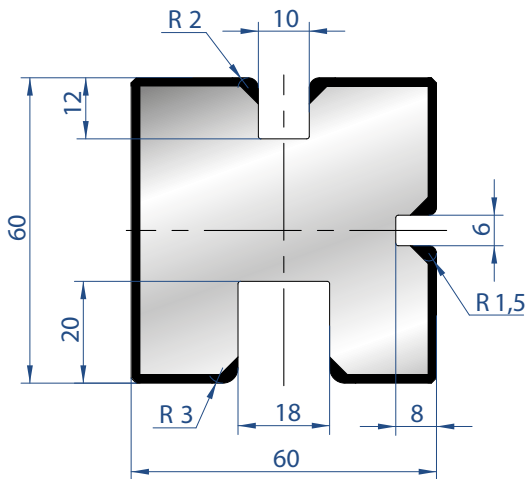


2057

Mat = C45
Max T/m = 40
 $\alpha = 30^\circ$

835 mm	13,0 kg
415 mm	6,0 kg
805 mm FRAZ. / SECT.	13,0 kg

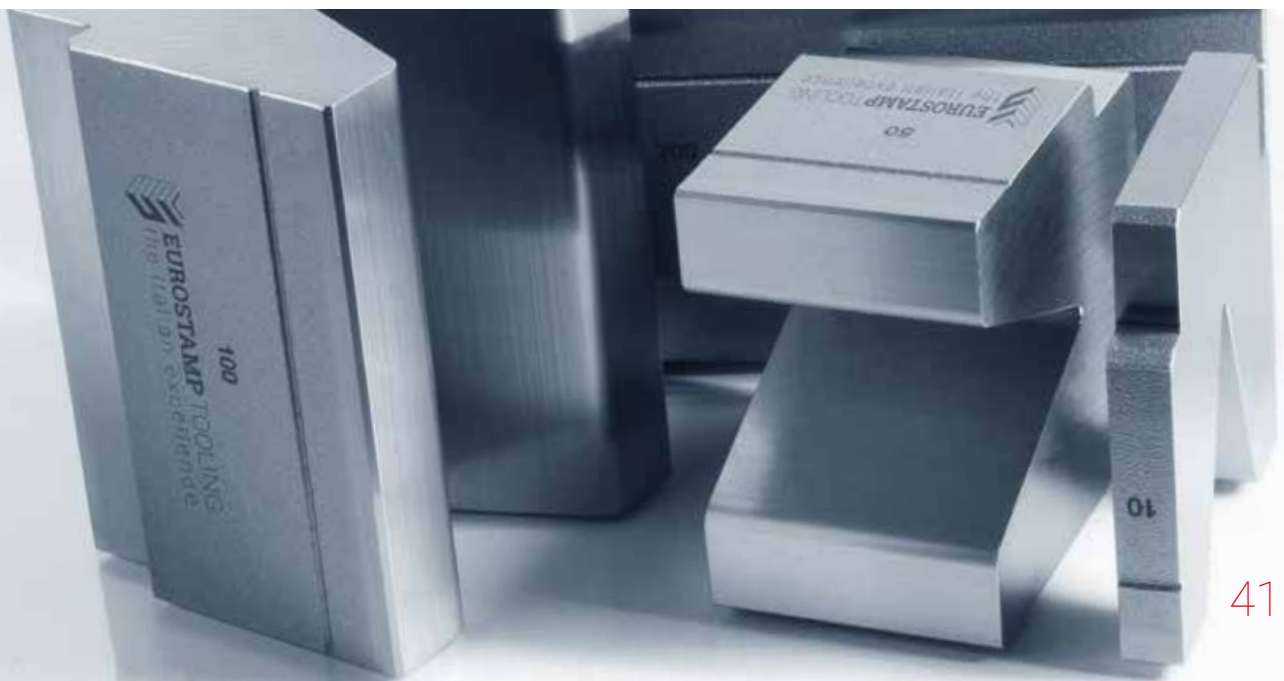
MATRICI 3U / 3U DIES

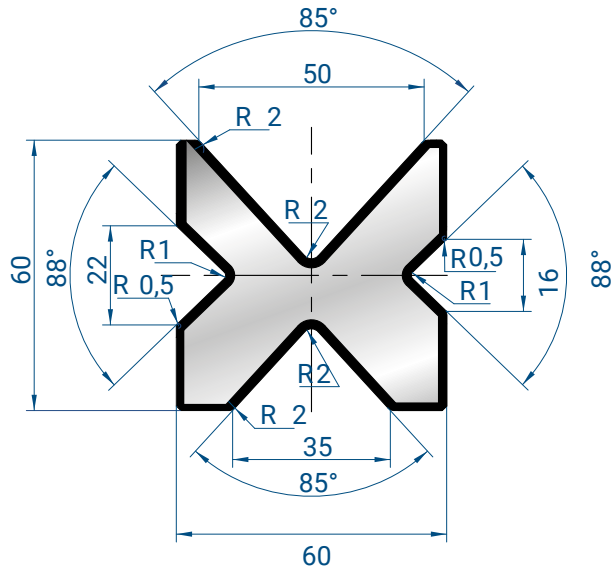


2031

Mat = C45
Max T/m = 100

835 mm	20,0 kg
415 mm	10,0 kg
805 mm FRAZ. / SECT.	20,0 kg

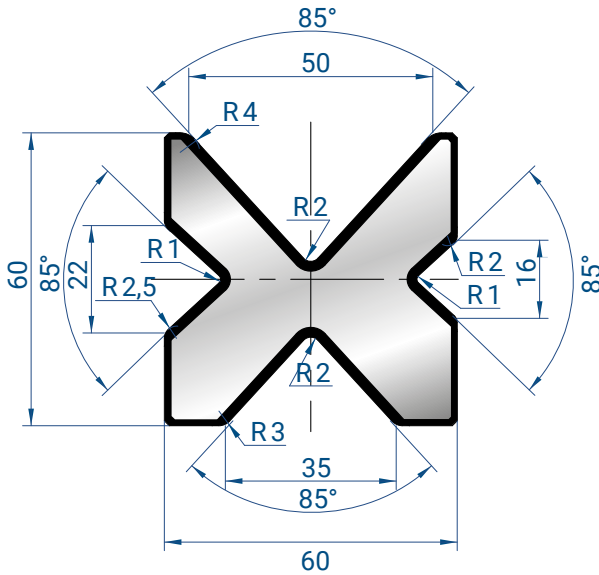




2030

Mat = C45
 Max T/m = 80
 $\alpha = 85^\circ - 88^\circ$

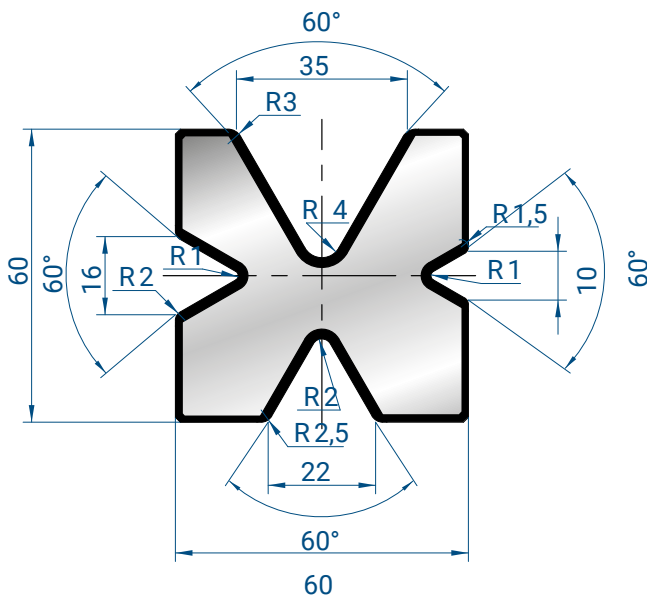
835 mm	16,0 kg
415 mm	8,0 kg
805 mm FRAZ. / SECT.	16,0 kg



2067

Mat = C45
 Max T/m = 80
 $\alpha = 85^\circ$

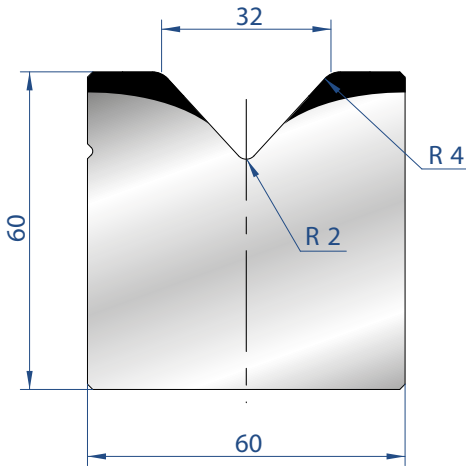
835 mm	16,0 kg
415 mm	8,0 kg
805 mm FRAZ. / SECT.	16,0 kg



2034

Mat = C45
 Max T/m = 60
 $\alpha = 60^\circ$

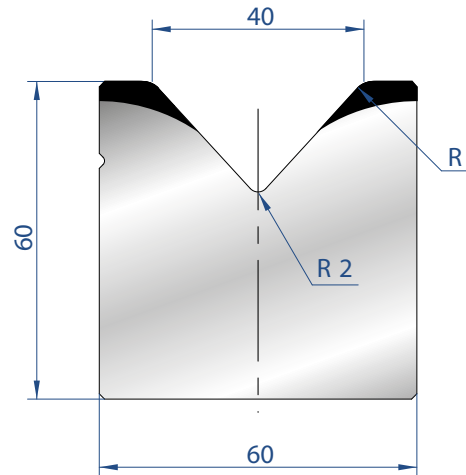
835 mm	18,0 kg
415 mm	9,0 kg
805 mm FRAZ. / SECT.	18,0 kg



2020

Mat = C45
Max T/m = 100
 $\alpha = 85^\circ$

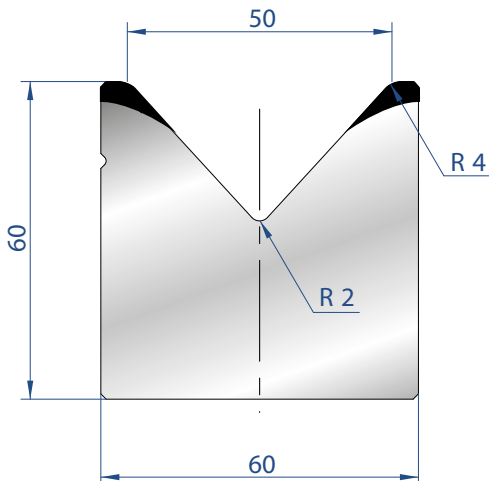
835 mm	22,0 kg
415 mm	11,0 kg
805 mm	22,0 kg
FRAZ. / SECT.	



2021

Mat = C45
Max T/m = 100
 $\alpha = 85^\circ$

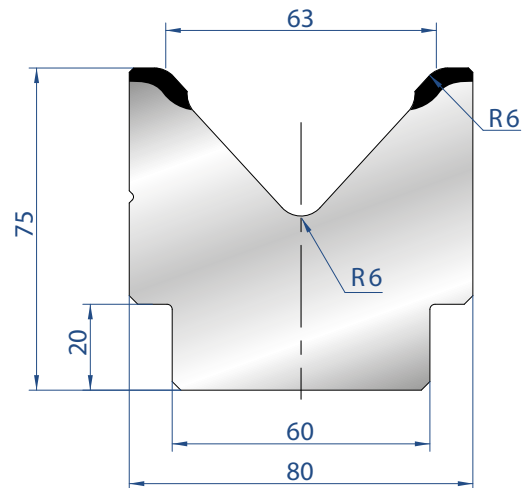
835 mm	21,0 kg
415 mm	10,0 kg
805 mm	21,0 kg
FRAZ. / SECT.	



2022

Mat = C45
Max T/m = 100
 $\alpha = 85^\circ$

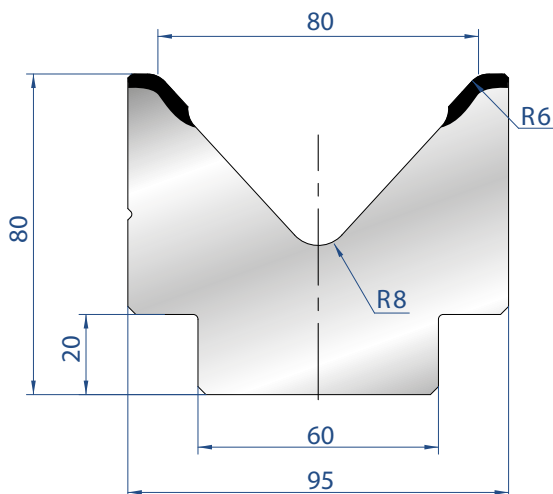
835 mm	19,0 kg
415 mm	9,0 kg
805 mm	19,0 kg
FRAZ. / SECT.	



2023

Mat = C45
Max T/m = 100
 $\alpha = 85^\circ$

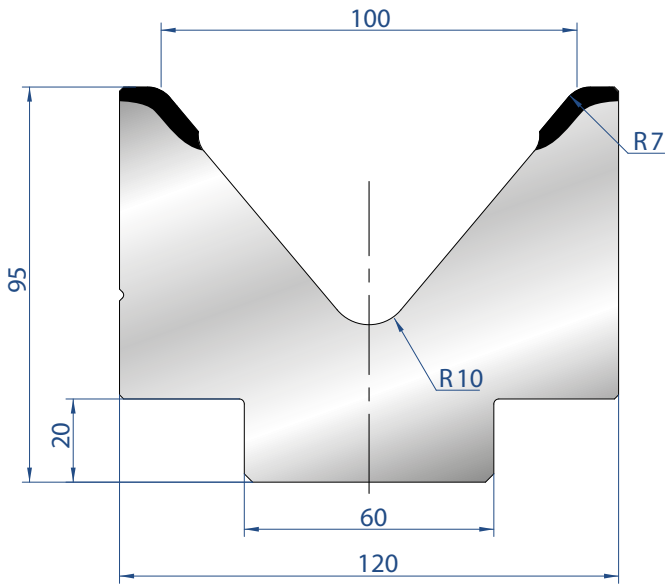
835 mm	28,5 kg
415 mm	15,0 kg
805 mm	28,5 kg
FRAZ. / SECT.	



2024

Mat = C45
Max T/m = 100
 $\alpha = 85^\circ$

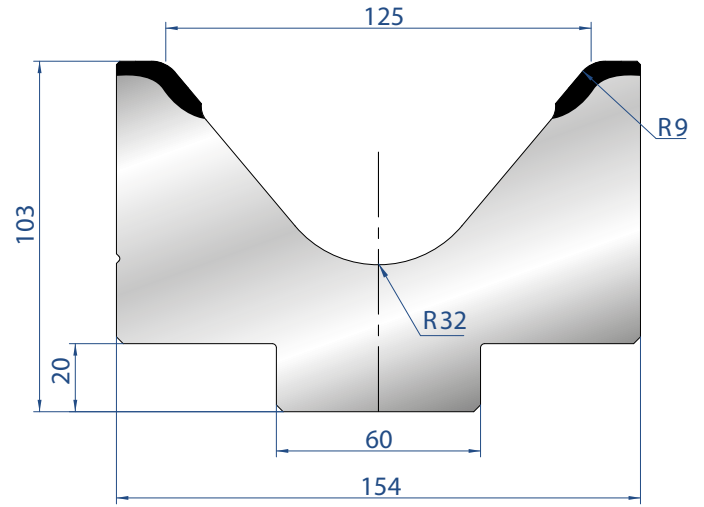
835 mm	38,0 kg
415 mm	19,0 kg
805 mm	38,0 kg
FRAZ. / SECT.	



2025

Mat = C45
Max T/m = 120
 $\alpha = 80^\circ$

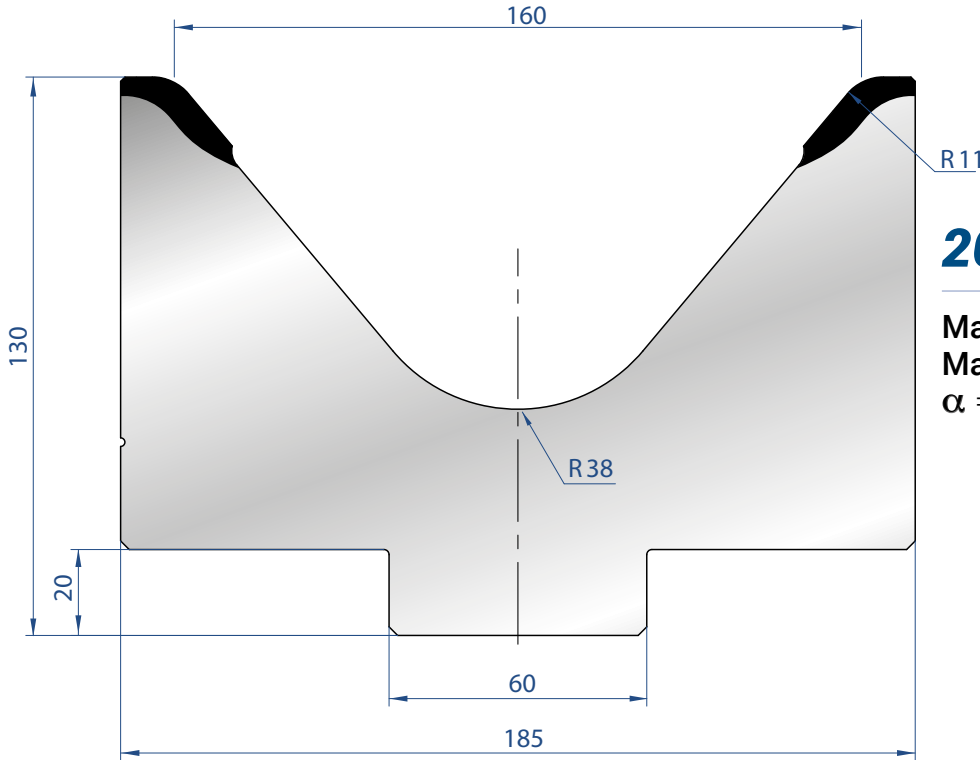
835 mm	50,0 kg
415 mm	25,0 kg
805 mm	50,0 kg
FRAZ. / SECT.	



2026

Mat = C45
Max T/m = 120
 $\alpha = 80^\circ$

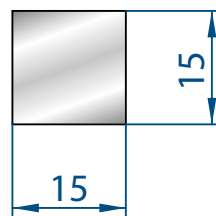
835 mm	70,0 kg
415 mm	35,0 kg
805 mm	70,0 kg
FRAZ. / SECT.	



2027

Mat = C45
Max T/m = 120
 $\alpha = 80^\circ$

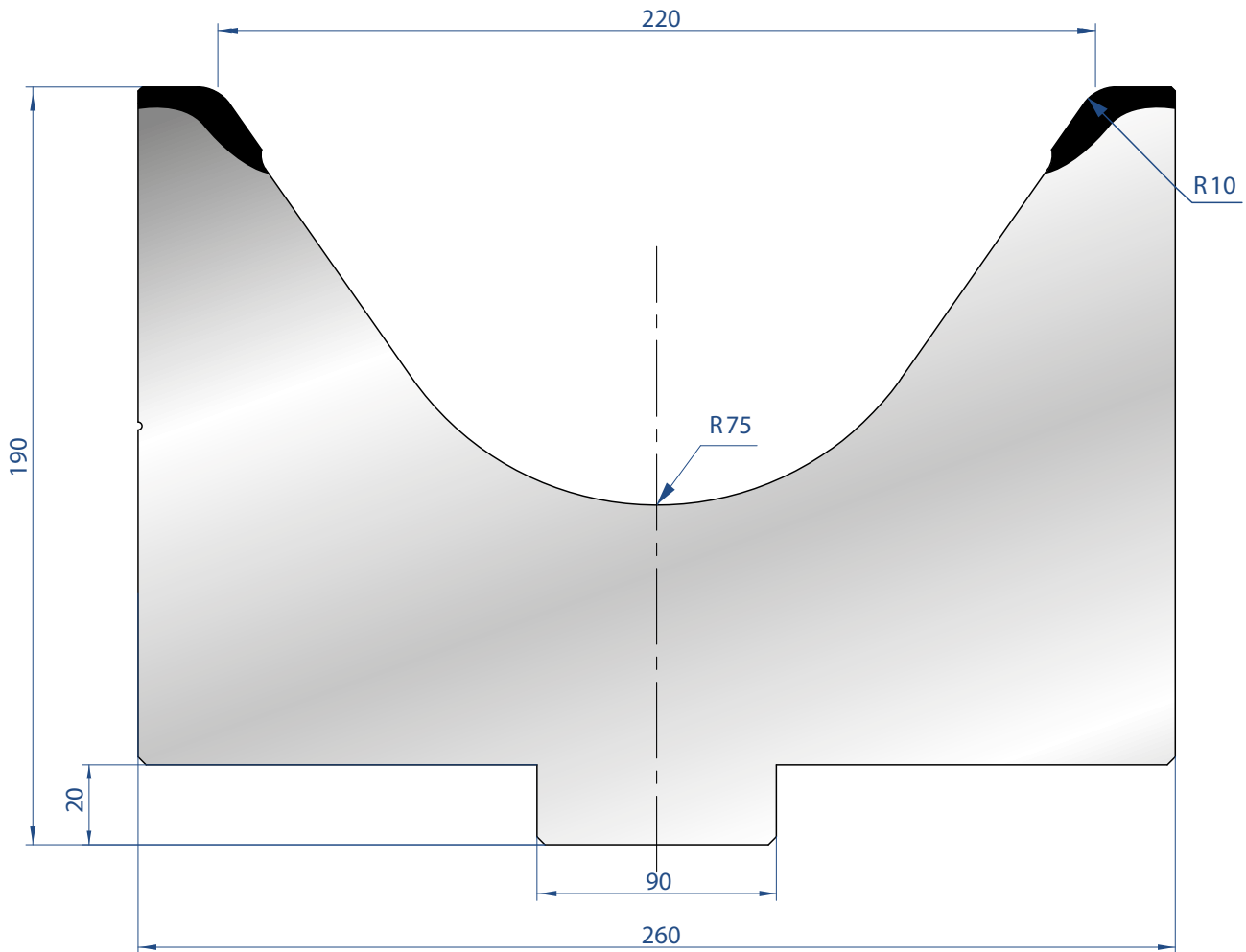
835 mm	91,3 kg
415 mm	51,0 kg
805 mm	91,3 kg
FRAZ. / SECT.	



8106

TRAFILATI 15X15
SQUARE BAR 15X15

835 mm	2,9 kg
--------	--------

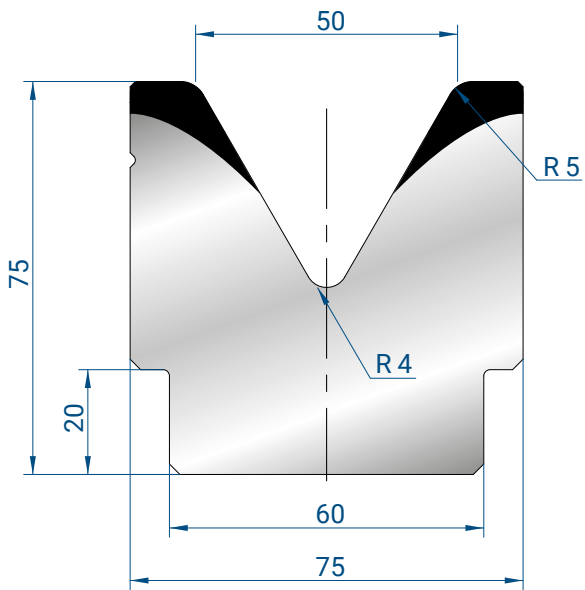


7290

505 mm	119,0 kg
--------	----------

Mat = C45
 bonificato /
 tempered
Max T/m = 200
 $\alpha = 70^\circ$

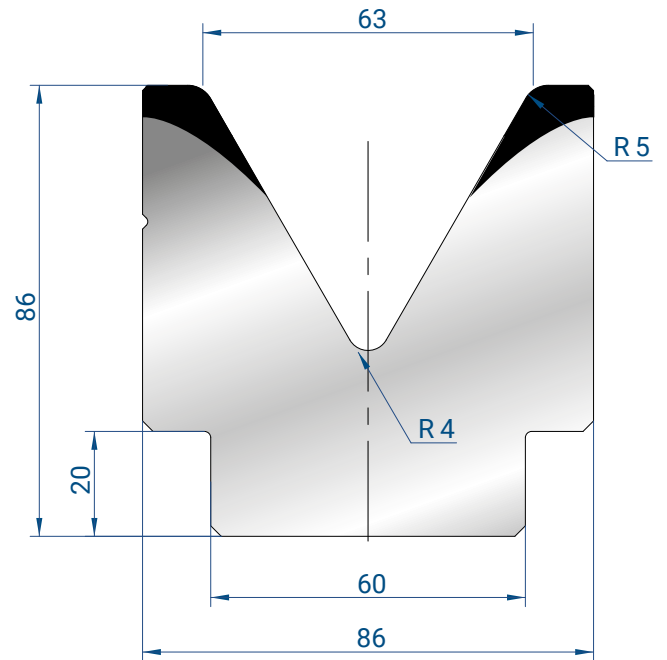
SOLO LUNGHEZZA
 505 MM
 AVAILABLE ONLY
 LENGTH 505 MM



2082

Mat = C45
 Max T/m = 100
 $\alpha = 60^\circ$

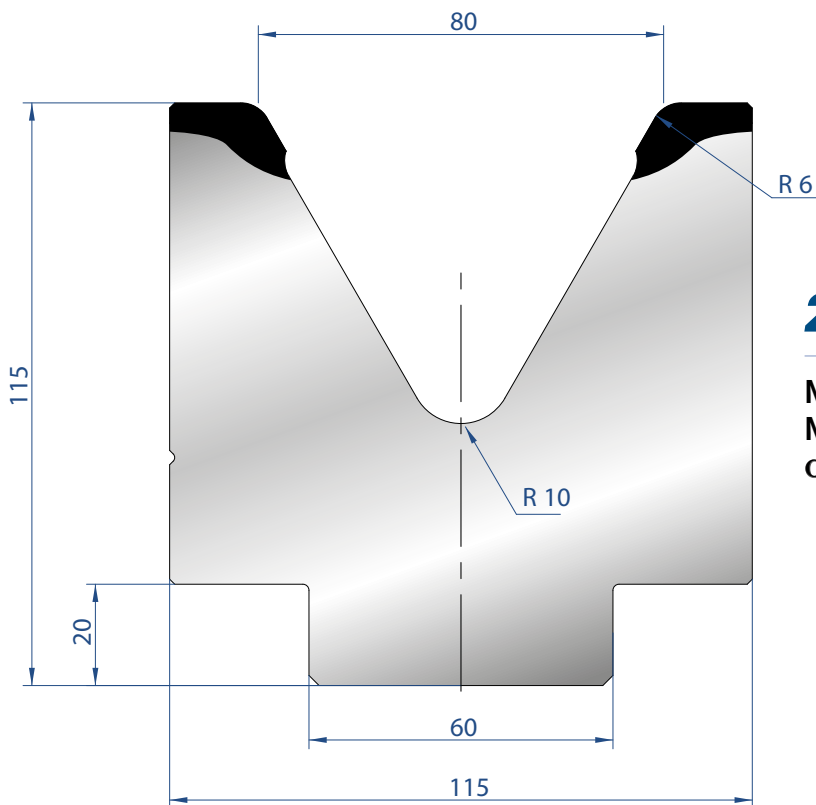
835 mm	28,0 kg
415 mm	14,0 kg
805 mm FRAZ. / SECT.	28,0 kg



2083

Mat = C45
 Max T/m = 100
 $\alpha = 60^\circ$

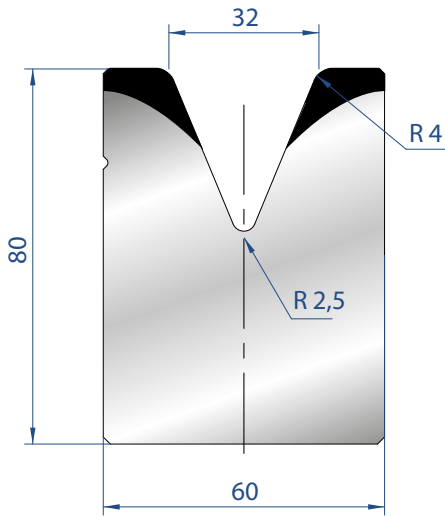
835 mm	34,0 kg
415 mm	17,0 kg
805 mm FRAZ. / SECT.	34,0 kg



2089

Mat = C45
 Max T/m = 100
 $\alpha = 60^\circ$

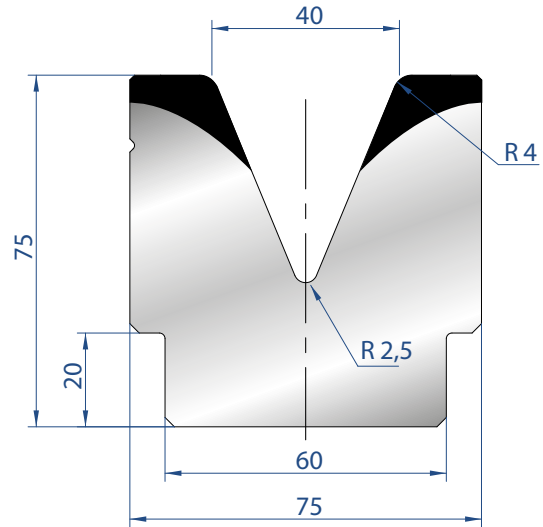
835 mm	60,0 kg
415 mm	30,0 kg
805 mm FRAZ. / SECT.	60,0 kg



2088

Mat = C45
Max T/m = 100
 $\alpha = 45^\circ$

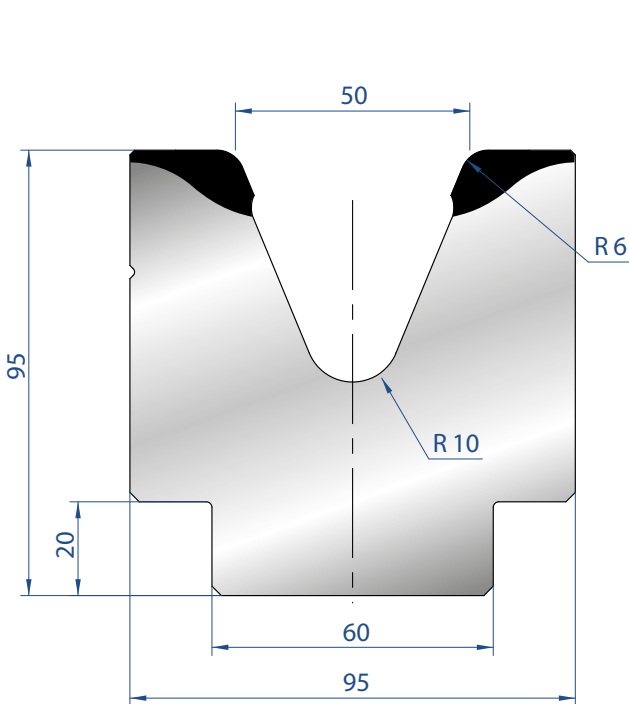
835 mm	28,0 kg
415 mm	14,0 kg
805 mm	28,0 kg
FRAZ. / SECT.	



2081

Mat = C45
Max T/m = 100
 $\alpha = 45^\circ$

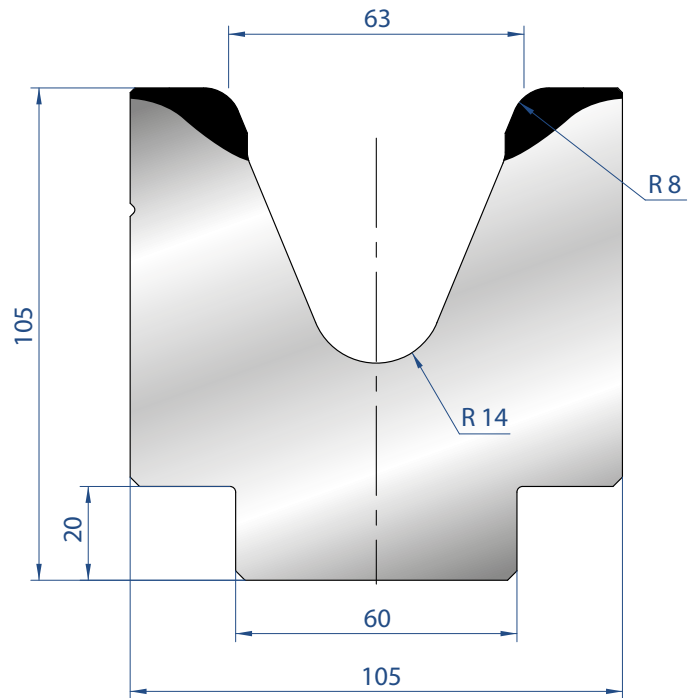
835 mm	33,0 kg
415 mm	16,0 kg
805 mm	33,0 kg
FRAZ. / SECT.	



2118

Mat = C45
Max T/m = 100
 $\alpha = 45^\circ$

835 mm	36,0 kg
415 mm	18,0 kg
805 mm	36,0 kg
FRAZ. / SECT.	

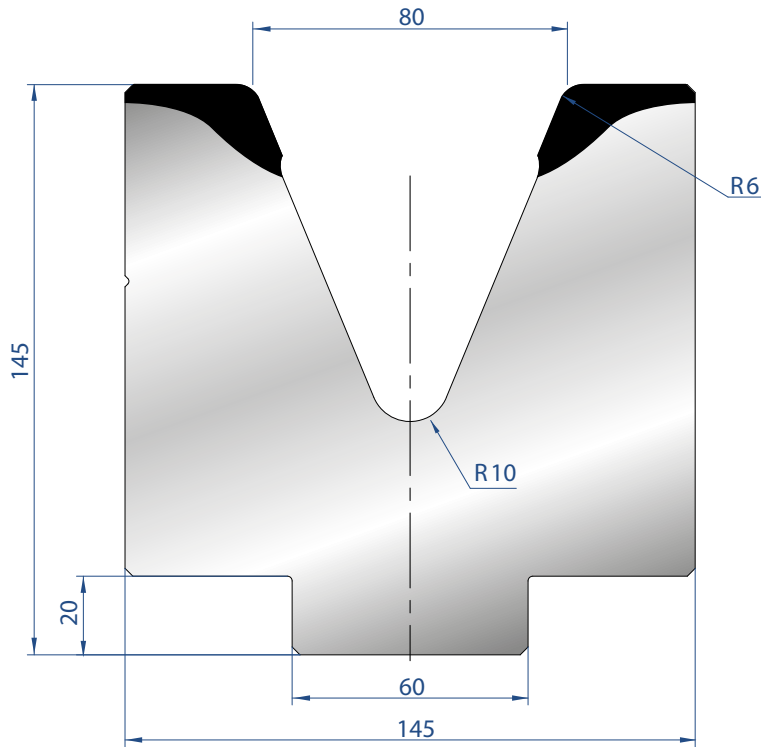


2117

Mat = C45
Max T/m = 100
 $\alpha = 45^\circ$

835 mm	34,0 kg
415 mm	17,0 kg
805 mm	34,0 kg
FRAZ. / SECT.	

MATRICI 1V - 45° / 1V DIES - 45°

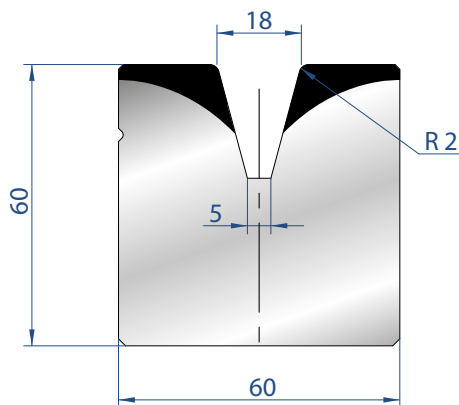


2084

Mat = C45
Max T/m = 100
 $\alpha = 45^\circ$

835 mm	102,0 kg
415 mm	51,0 kg
805 mm	102,0 kg
FRAZ. / SECT.	

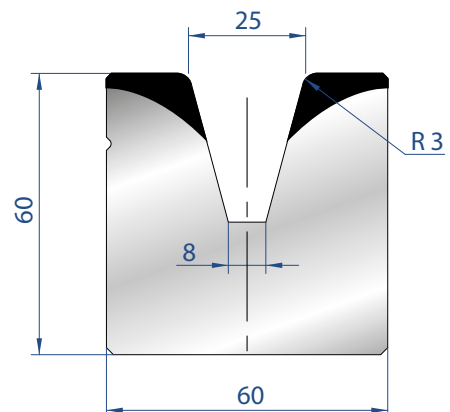
MATRICI 1V - 30° / 1V DIES - 30°



2086

Mat = C45
Max T/m = 100
 $\alpha = 30^\circ$

835 mm	22,0 kg
415 mm	11,0 kg
805 mm	22,0 kg
FRAZ. / SECT.	



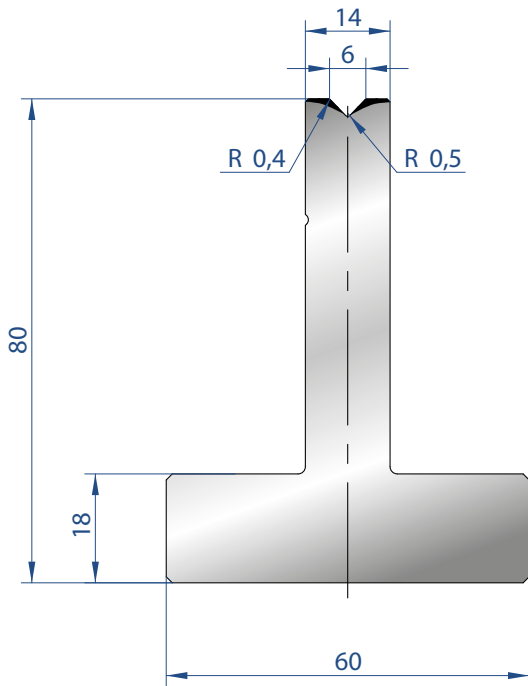
2087

Mat = C45
Max T/m = 100
 $\alpha = 30^\circ$

835 mm	22,0 kg
415 mm	11,0 kg
805 mm	22,0 kg
FRAZ. / SECT.	



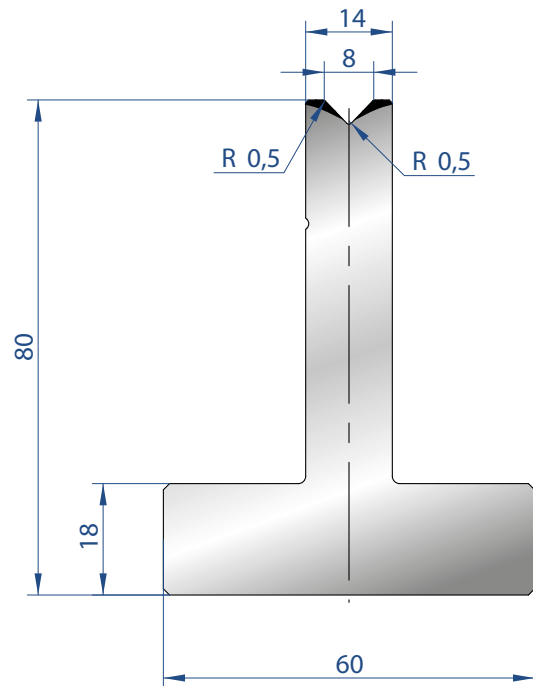
EUROSTAMP TOOLS
the Italian excellence



3080

Mat = C45
Max T/m = 100
 $\alpha = 88^\circ$

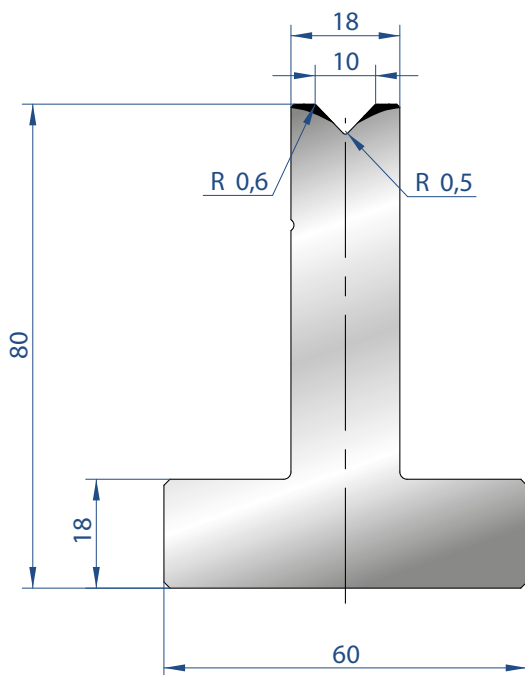
835 mm	13,0 kg
415 mm	6,0 kg
805 mm	13,0 kg
FRAZ. / SECT.	



3081

Mat = C45
Max T/m = 100
 $\alpha = 88^\circ$

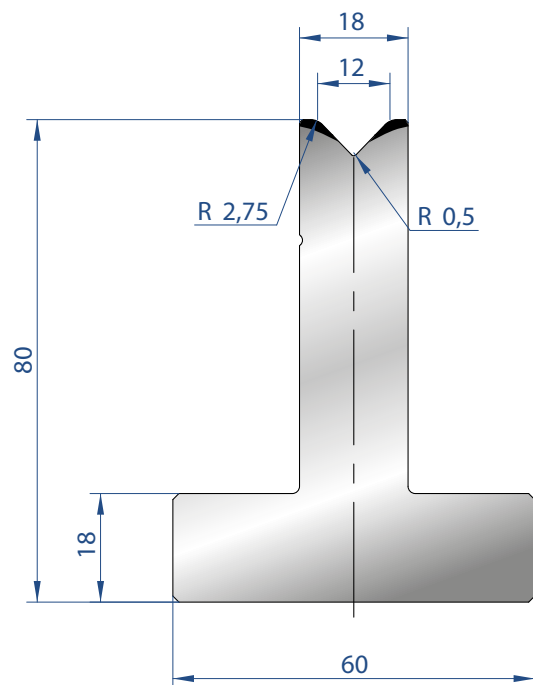
835 mm	13,0 kg
415 mm	6,0 kg
805 mm	13,0 kg
FRAZ. / SECT.	



3082

Mat = C45
Max T/m = 100
 $\alpha = 88^\circ$

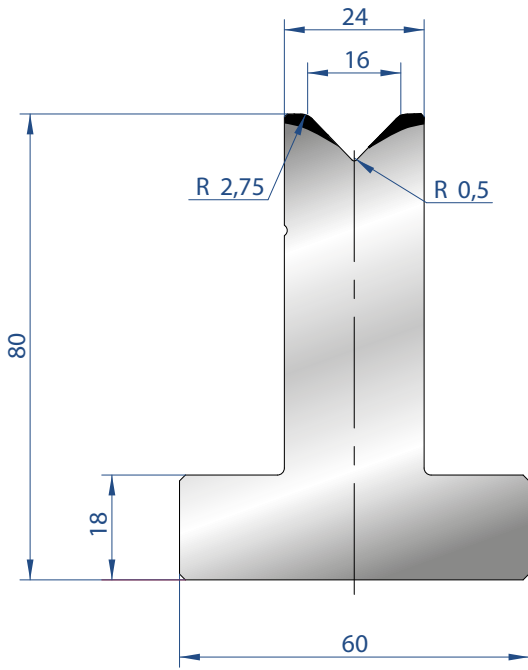
835 mm	15,0 kg
415 mm	7,0 kg
805 mm	15,0 kg
FRAZ. / SECT.	



3015

Mat = C45
Max T/m = 100
 $\alpha = 88^\circ$

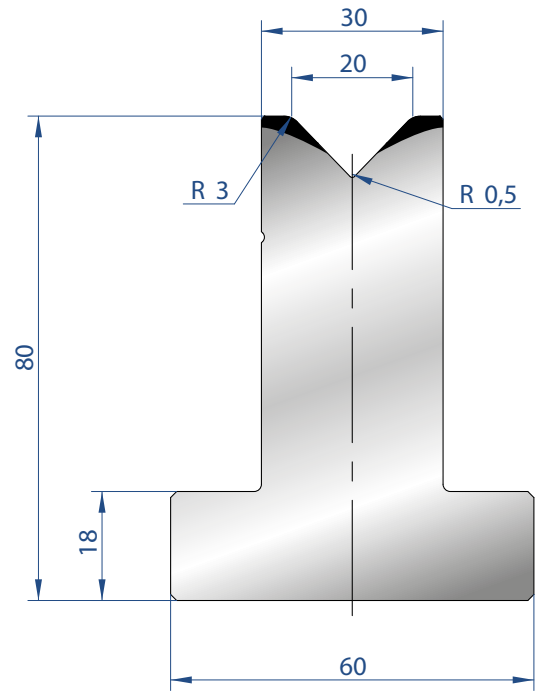
835 mm	15,0 kg
415 mm	7,0 kg
805 mm	15,0 kg
FRAZ. / SECT.	



3016

Mat = C45
 Max T/m = 100
 $\alpha = 88^\circ$

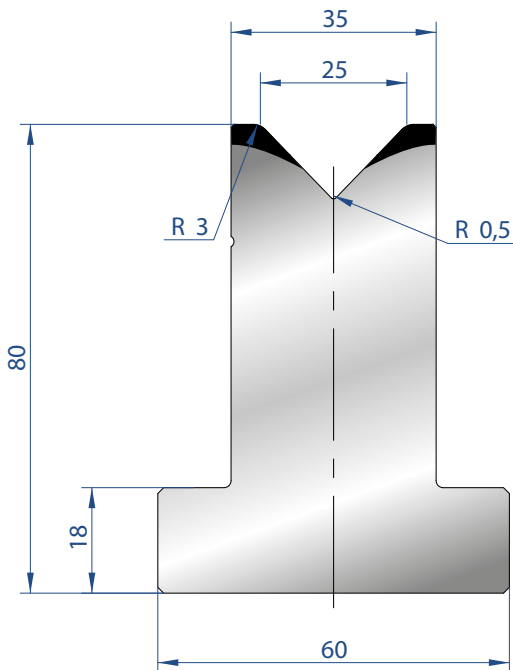
835 mm	18,0 kg
415 mm	9,0 kg
805 mm	18,0 kg
FRAZ. / SECT.	



3017

Mat = C45
 Max T/m = 100
 $\alpha = 88^\circ$

835 mm	19,0 kg
415 mm	9,0 kg
805 mm	19,0 kg
FRAZ. / SECT.	

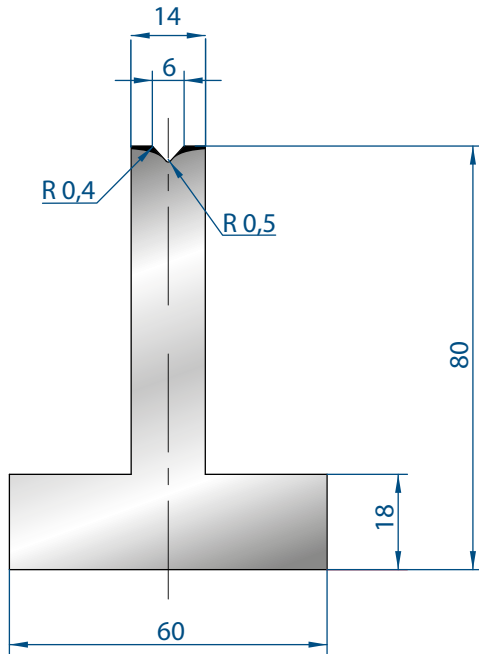


3018

Mat = C45
 Max T/m = 100
 $\alpha = 88^\circ$

835 mm	20,0 kg
415 mm	10,0 kg
805 mm	20,0 kg
FRAZ. / SECT.	

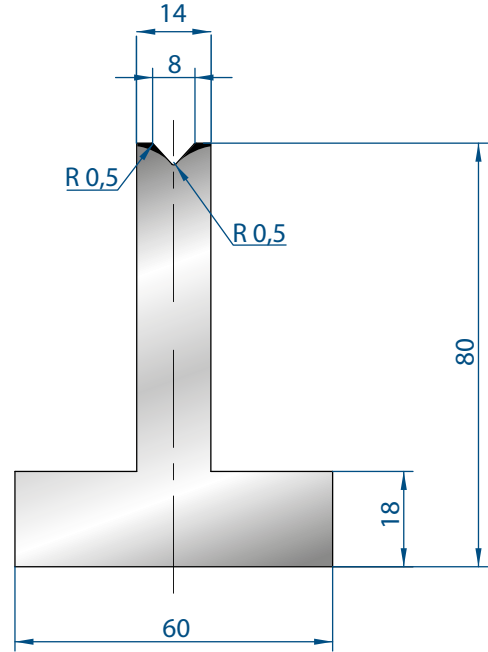




3086

Mat = C45
Max T/m = 100
 $\alpha = 85^\circ$

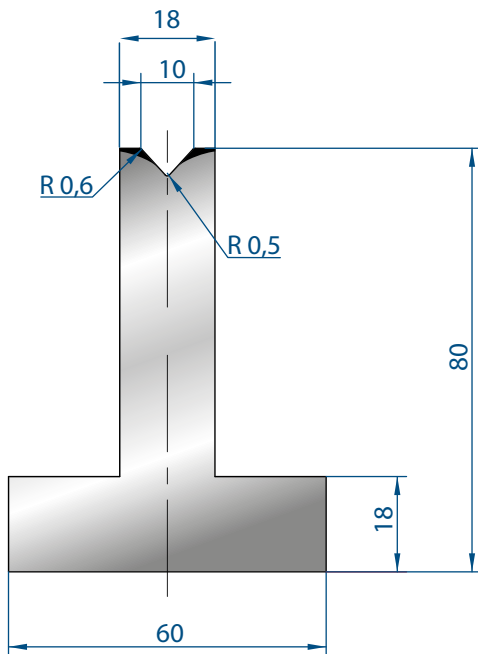
835 mm	13,0 kg
415 mm	6,0 kg
805 mm	13,0 kg
FRAZ. / SECT.	



3087

Mat = C45
Max T/m = 100
 $\alpha = 85^\circ$

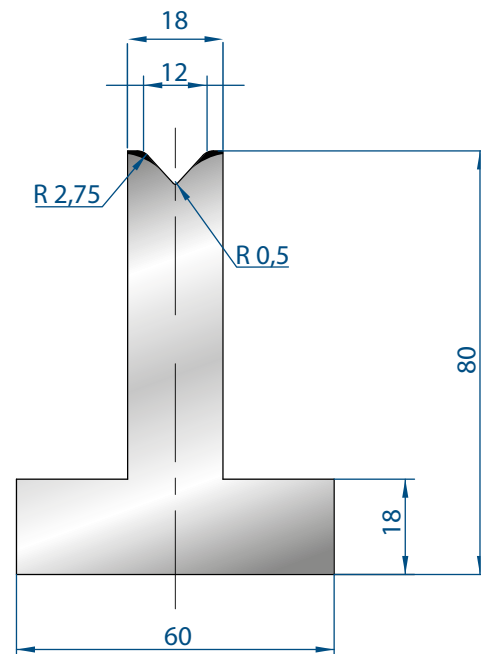
835 mm	13,0 kg
415 mm	6,0 kg
805 mm	13,0 kg
FRAZ. / SECT.	



3088

Mat = C45
Max T/m = 100
 $\alpha = 85^\circ$

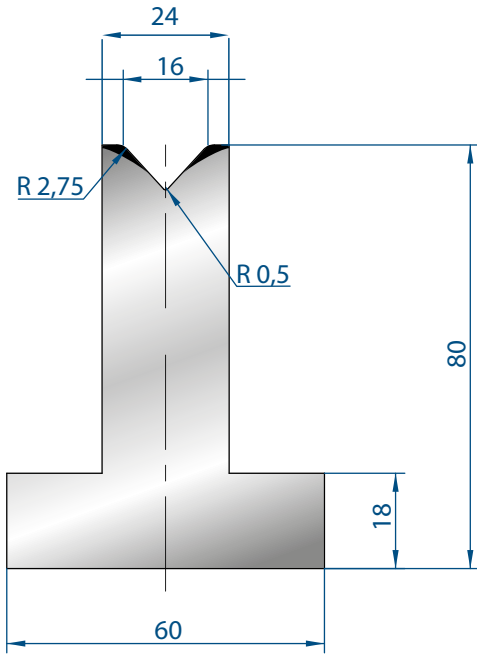
835 mm	13,0 kg
415 mm	6,0 kg
805 mm	13,0 kg
FRAZ. / SECT.	



3089

Mat = C45
Max T/m = 100
 $\alpha = 85^\circ$

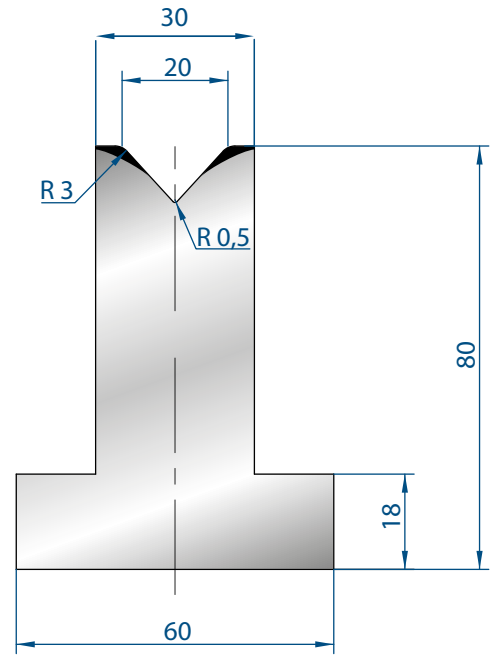
835 mm	13,0 kg
415 mm	6,0 kg
805 mm	13,0 kg
FRAZ. / SECT.	



3090

Mat = C45
Max T/m = 100
 $\alpha = 85^\circ$

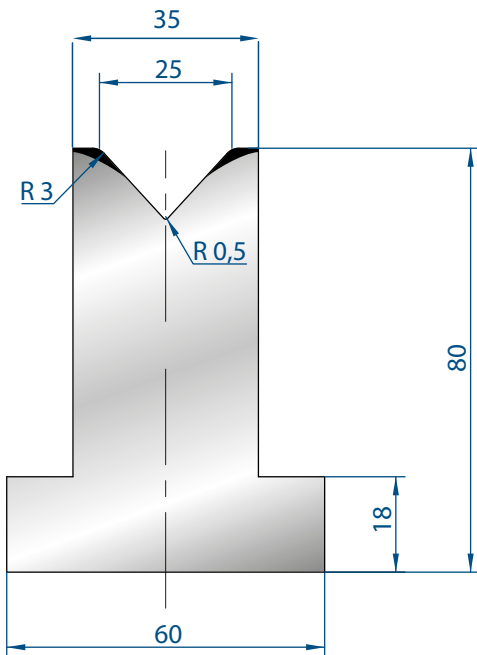
835 mm	13,0 kg
415 mm	6,0 kg
805 mm FRAZ. / SECT.	13,0 kg



3091

Mat = C45
Max T/m = 100
 $\alpha = 85^\circ$

835 mm	13,0 kg
415 mm	6,0 kg
805 mm FRAZ. / SECT.	13,0 kg

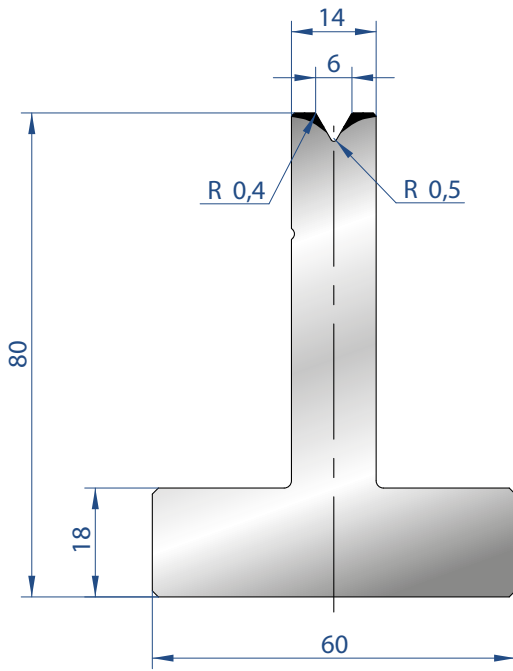


3092

Mat = C45
Max T/m = 100
 $\alpha = 85^\circ$

835 mm	13,0 kg
415 mm	6,0 kg
805 mm FRAZ. / SECT.	13,0 kg

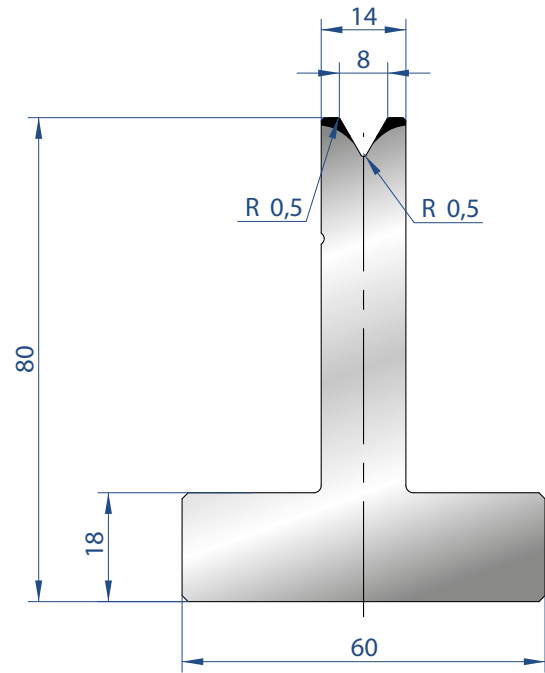




3019

Mat = C45
Max T/m = 60
 $\alpha = 60^\circ$

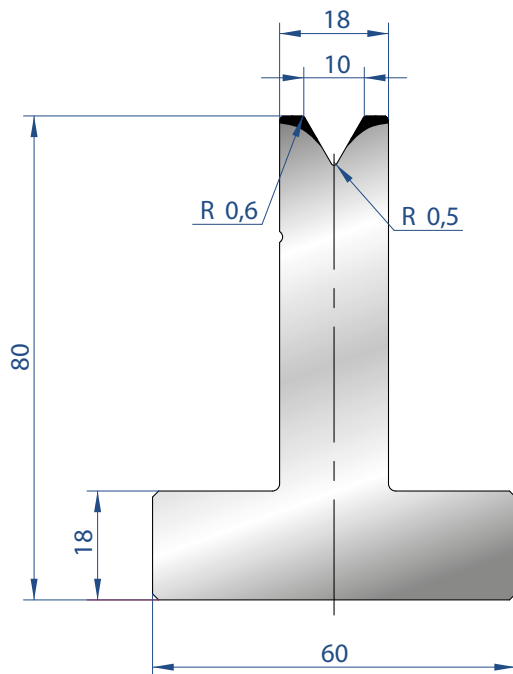
835 mm	13,0 kg
415 mm	6,0 kg
805 mm FRAZ. / SECT.	13,0 kg



3020

Mat = C45
Max T/m = 60
 $\alpha = 60^\circ$

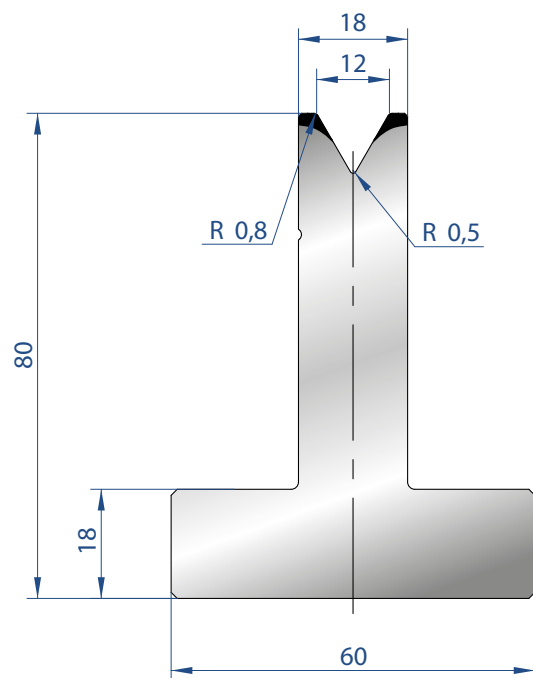
835 mm	13,0 kg
415 mm	6,0 kg
805 mm FRAZ. / SECT.	13,0 kg



3021

Mat = C45
Max T/m = 60
 $\alpha = 60^\circ$

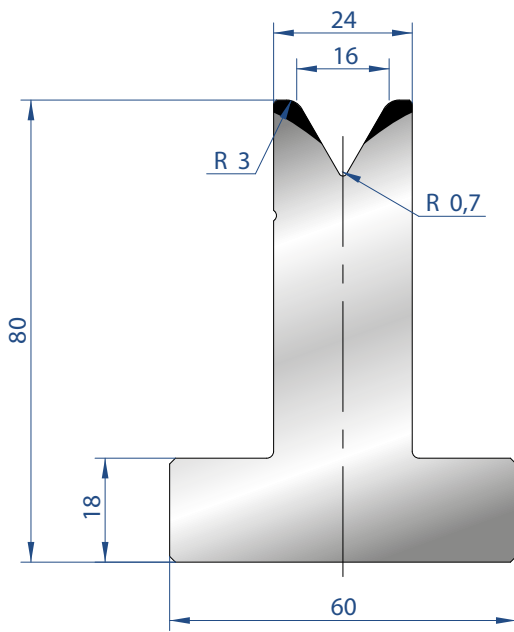
835 mm	13,0 kg
415 mm	6,0 kg
805 mm FRAZ. / SECT.	13,0 kg



3022

Mat = C45
Max T/m = 60
 $\alpha = 60^\circ$

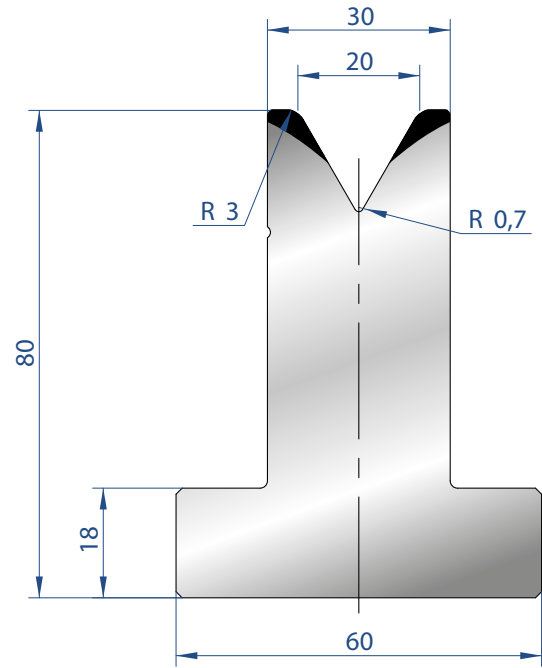
835 mm	13,0 kg
415 mm	6,0 kg
805 mm FRAZ. / SECT.	13,0 kg



3023

Mat = C45
 Max T/m = 75
 $\alpha = 60^\circ$

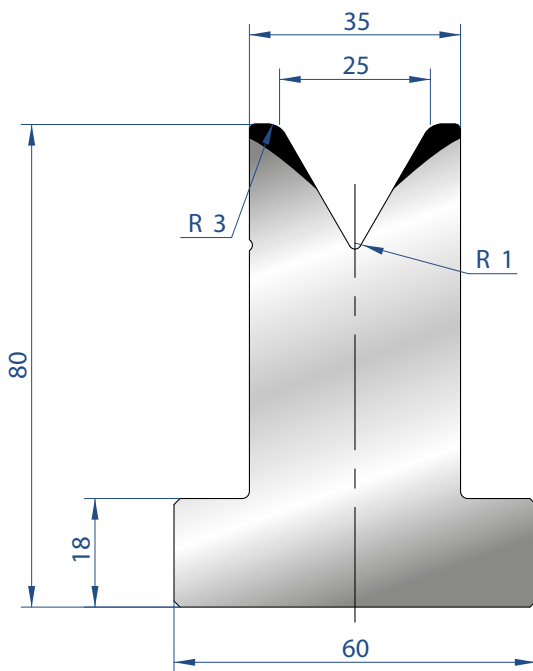
835 mm	18,0 kg
415 mm	9,0 kg
805 mm FRAZ. / SECT.	18,0 kg



3024

Mat = C45
 Max T/m = 70
 $\alpha = 60^\circ$

835 mm	19,0 kg
415 mm	9,0 kg
805 mm FRAZ. / SECT.	19,0 kg

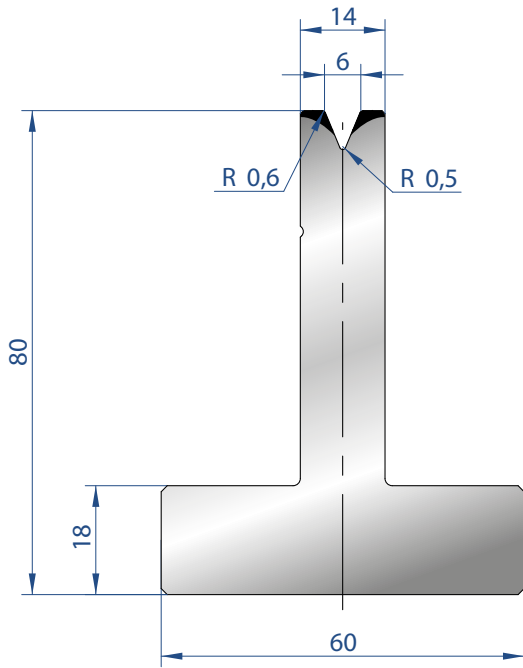


3025

Mat = C45
 Max T/m = 65
 $\alpha = 60^\circ$

835 mm	20,0 kg
415 mm	10,0 kg
805 mm FRAZ. / SECT.	20,0 kg

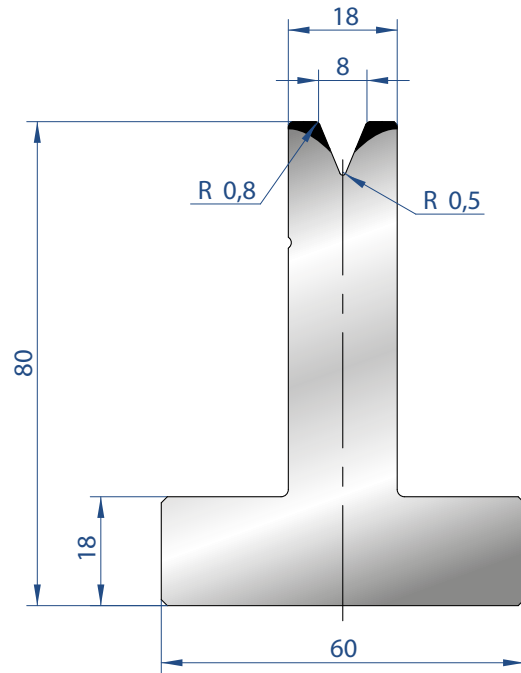




3026

Mat = C45
Max T/m = 50
 $\alpha = 45^\circ$

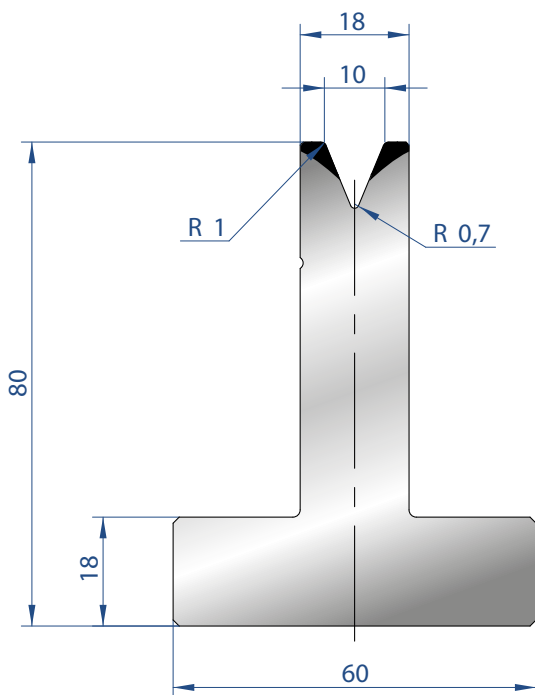
835 mm	13,0 kg
415 mm	6,0 kg
805 mm	13,0 kg
FRAZ. / SECT.	



3027

Mat = C45
Max T/m = 50
 $\alpha = 45^\circ$

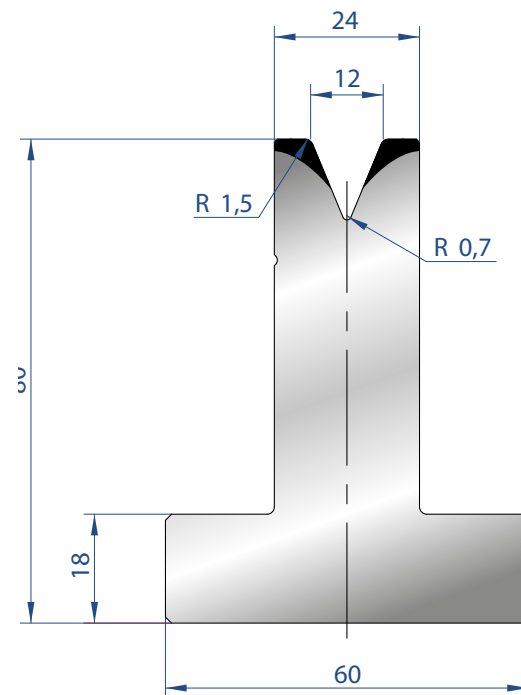
835 mm	15,0 kg
415 mm	7,0 kg
805 mm	15,0 kg
FRAZ. / SECT.	



3028

Mat = C45
Max T/m = 50
 $\alpha = 45^\circ$

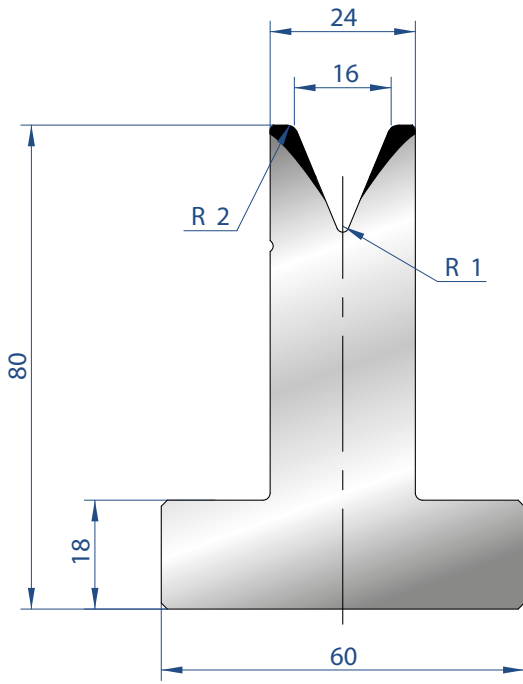
835 mm	15,0 kg
415 mm	7,0 kg
805 mm	15,0 kg
FRAZ. / SECT.	



3029

Mat = C45
Max T/m = 50
 $\alpha = 45^\circ$

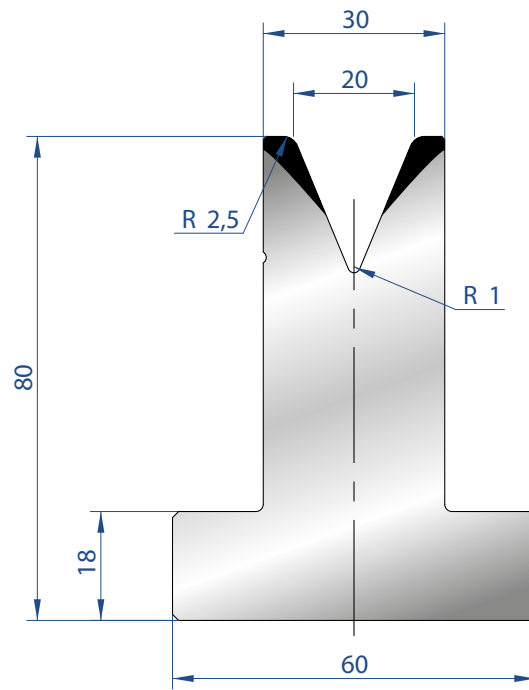
835 mm	18,0 kg
415 mm	9,0 kg
805 mm	18,0 kg
FRAZ. / SECT.	



3030

Mat = C45
Max T/m = 50
 $\alpha = 45^\circ$

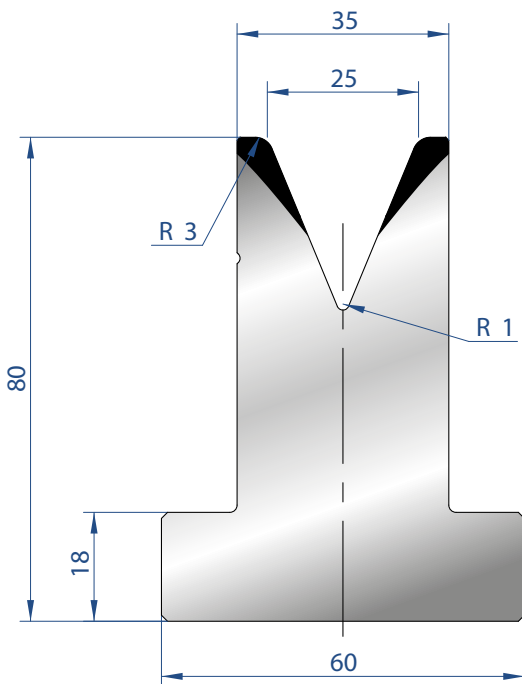
835 mm	18,0 kg
415 mm	9,0 kg
805 mm FRAZ. / SECT.	18,0 kg



3031

Mat = C45
Max T/m = 50
 $\alpha = 45^\circ$

835 mm	18,0 kg
415 mm	9,0 kg
805 mm FRAZ. / SECT.	18,0 kg

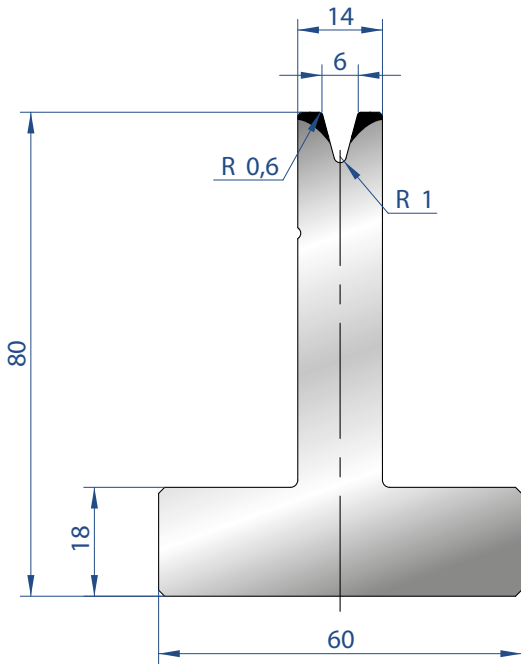


3032

Mat = C45
Max T/m = 50
 $\alpha = 45^\circ$

835 mm	20,0 kg
415 mm	10,0 kg
805 mm FRAZ. / SECT.	20,0 kg

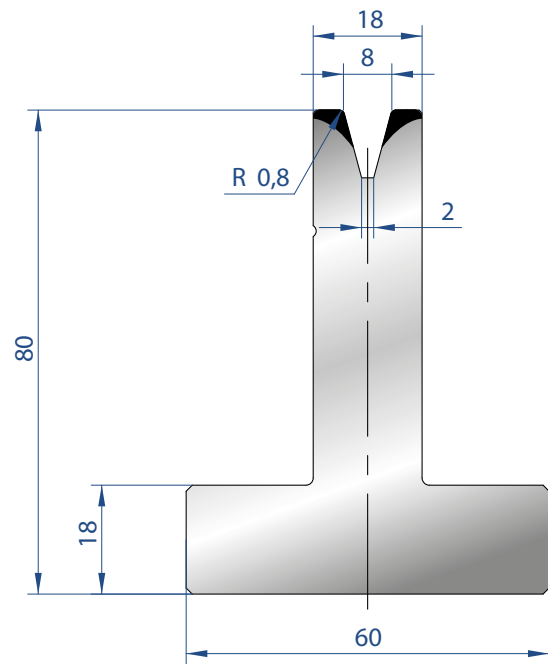




3042

Mat = C45
Max T/m = 35
 $\alpha = 30^\circ$

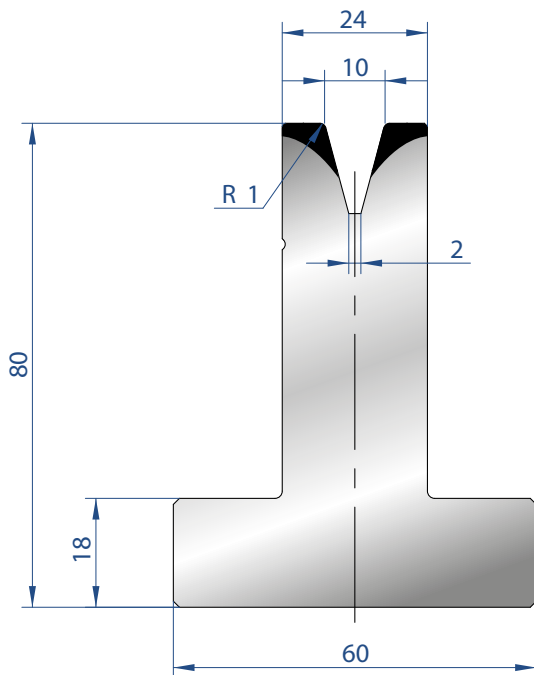
835 mm	13,0 kg
415 mm	6,0 kg
805 mm	13,0 kg
FRAZ. / SECT.	



3043

Mat = C45
Max T/m = 40
 $\alpha = 30^\circ$

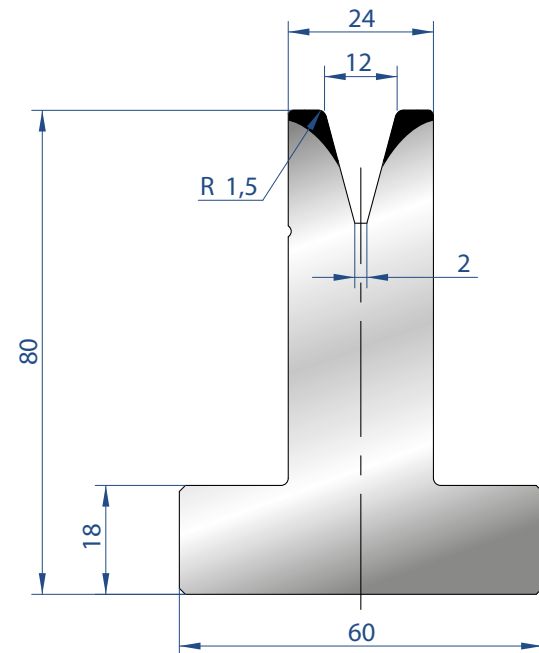
835 mm	14,0 kg
415 mm	7,0 kg
805 mm	14,0 kg
FRAZ. / SECT.	



3044

Mat = C45
Max T/m = 50
 $\alpha = 30^\circ$

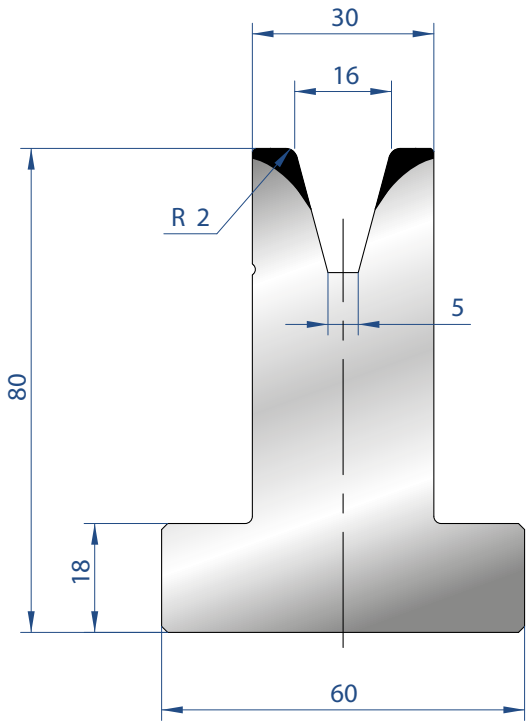
835 mm	17,0 kg
415 mm	8,0 kg
805 mm	17,0 kg
FRAZ. / SECT.	



3045

Mat = C45
Max T/m = 50
 $\alpha = 30^\circ$

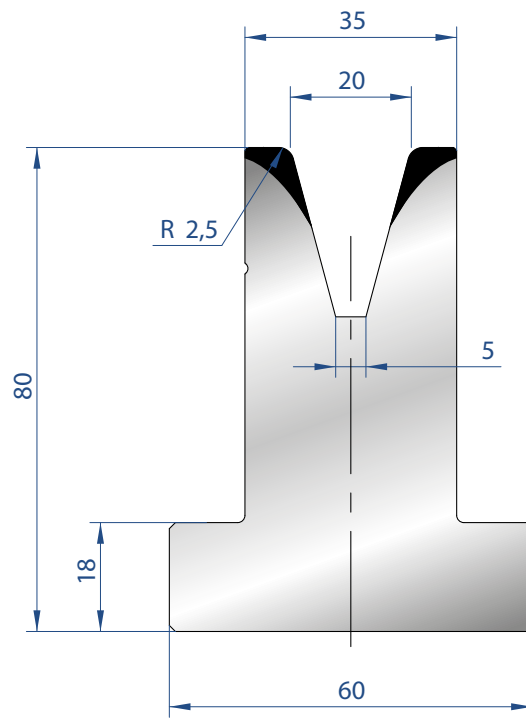
835 mm	17,0 kg
415 mm	8,0 kg
805 mm	17,0 kg
FRAZ. / SECT.	



3046

Mat = C45
 Max T/m = 50
 $\alpha = 30^\circ$

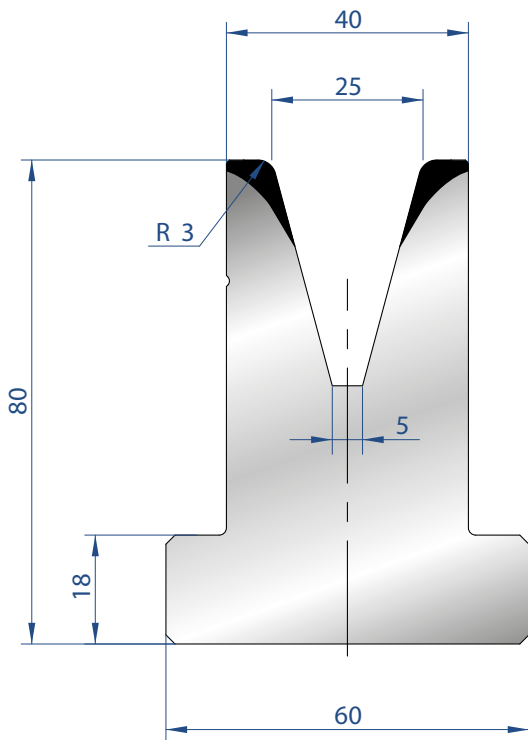
835 mm	18,0 kg
415 mm	9,0 kg
805 mm FRAZ. / SECT.	18,0 kg



3047

Mat = C45
 Max T/m = 55
 $\alpha = 30^\circ$

835 mm	20,0 kg
415 mm	10,0 kg
805 mm FRAZ. / SECT.	20,0 kg

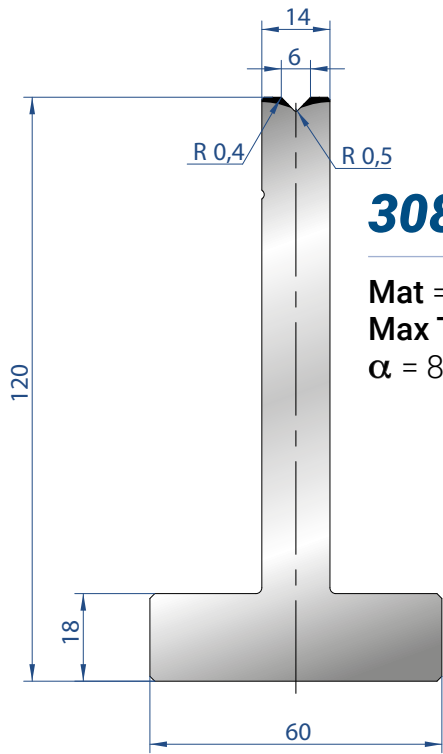


3048

Mat = C45
 Max T/m = 55
 $\alpha = 30^\circ$

835 mm	20,0 kg
415 mm	10,0 kg
805 mm FRAZ. / SECT.	20,0 kg

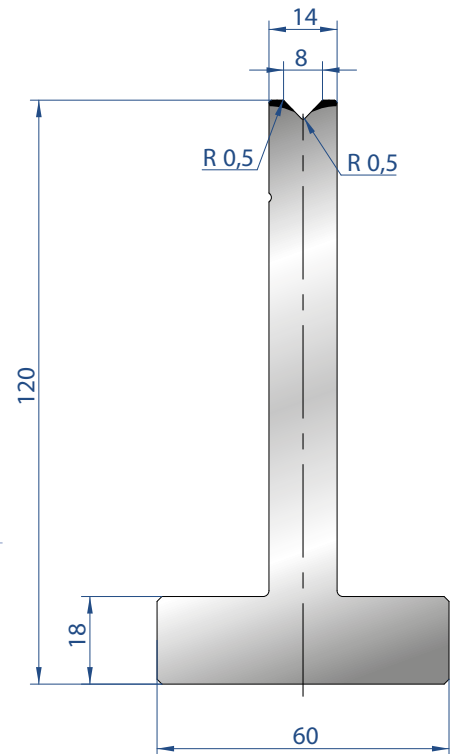




3083

Mat = C45
Max T/m = 100
 $\alpha = 88^\circ$

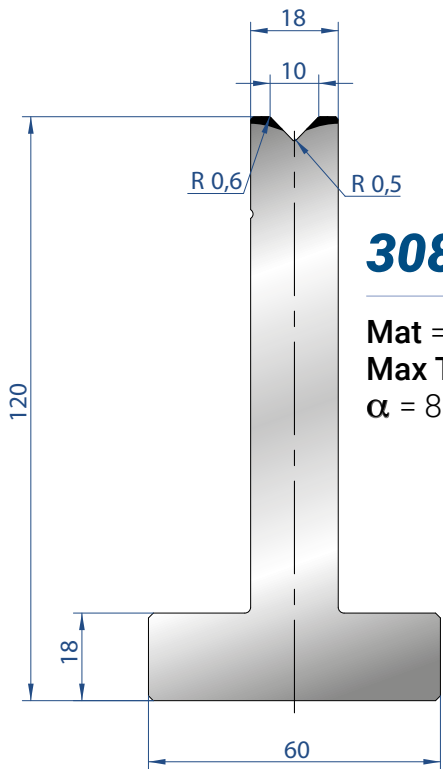
835 mm	17,0 kg
415 mm	8,0 kg
805 mm	17,0 kg
FRAZ. / SECT.	



3084

Mat = C45
Max T/m = 100
 $\alpha = 88^\circ$

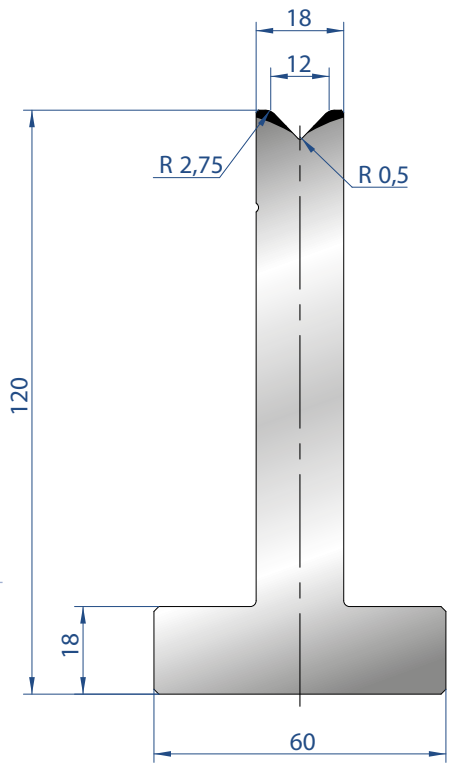
835 mm	17,0 kg
415 mm	8,0 kg
805 mm	17,0 kg
FRAZ. / SECT.	



3085

Mat = C45
Max T/m = 100
 $\alpha = 88^\circ$

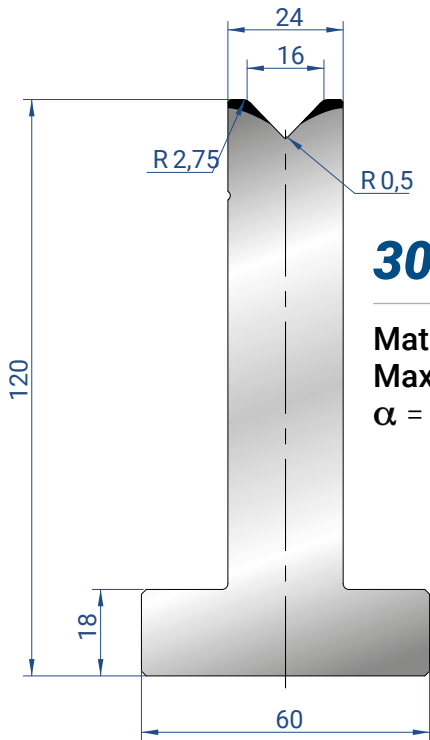
835 mm	18,0 kg
415 mm	9,0 kg
805 mm	18,0 kg
FRAZ. / SECT.	



3055

Mat = C45
Max T/m = 100
 $\alpha = 88^\circ$

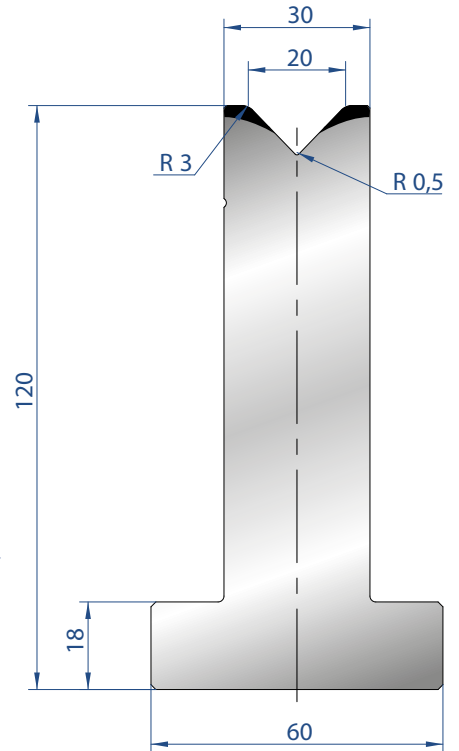
835 mm	18,0 kg
415 mm	9,0 kg
805 mm	18,0 kg
FRAZ. / SECT.	



3056

Mat = C45
Max T/m = 100
 $\alpha = 88^\circ$

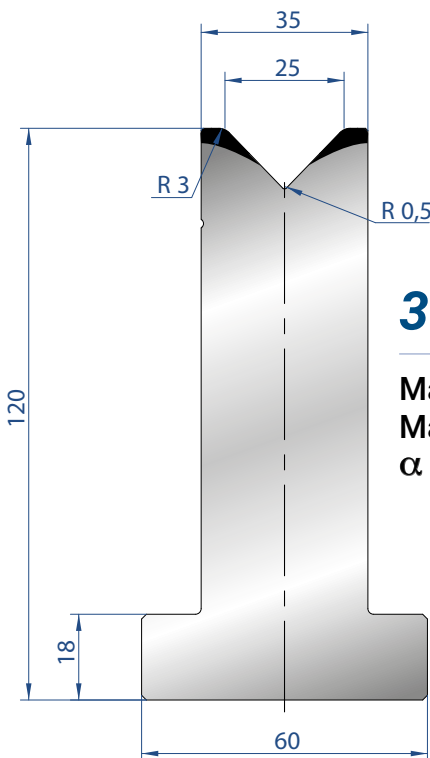
835 mm	22,0 kg
415 mm	11,0 kg
805 mm	22,0 kg
FRAZ. / SECT.	



3057

Mat = C45
Max T/m = 100
 $\alpha = 88^\circ$

835 mm	27,0 kg
415 mm	13,0 kg
805 mm	27,0 kg
FRAZ. / SECT.	

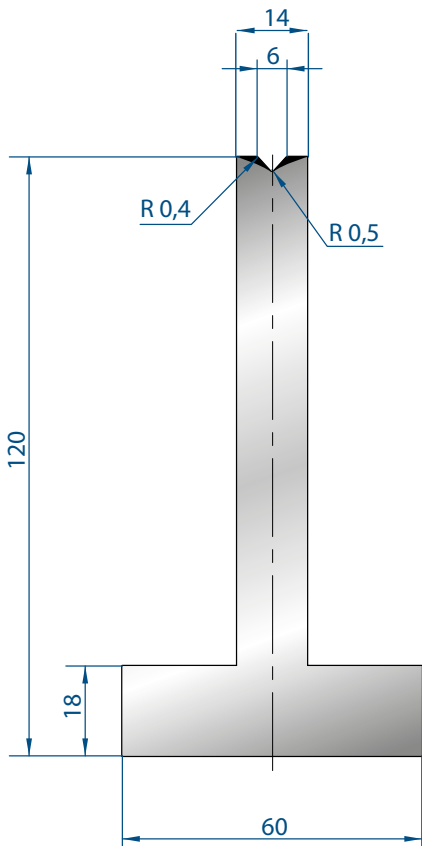


3058

Mat = C45
Max T/m = 100
 $\alpha = 88^\circ$

835 mm	30,0 kg
415 mm	15,0 kg
805 mm	30,0 kg
FRAZ. / SECT.	

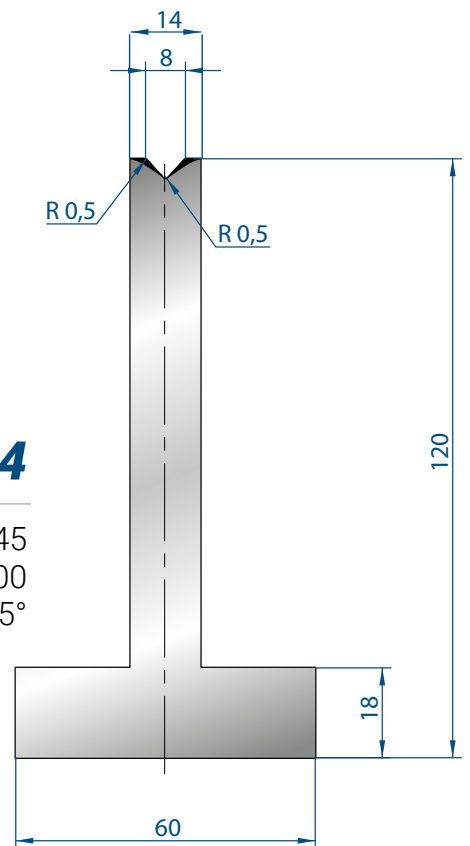




3093

Mat = C45
Max T/m = 100
 $\alpha = 85^\circ$

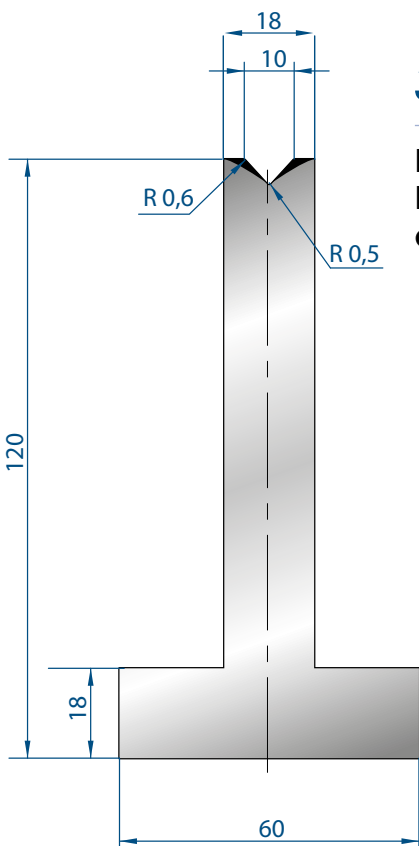
835 mm	17,0 kg
415 mm	8,0 kg
805 mm	17,0 kg
FRAZ. / SECT.	



3094

Mat = C45
Max T/m = 100
 $\alpha = 85^\circ$

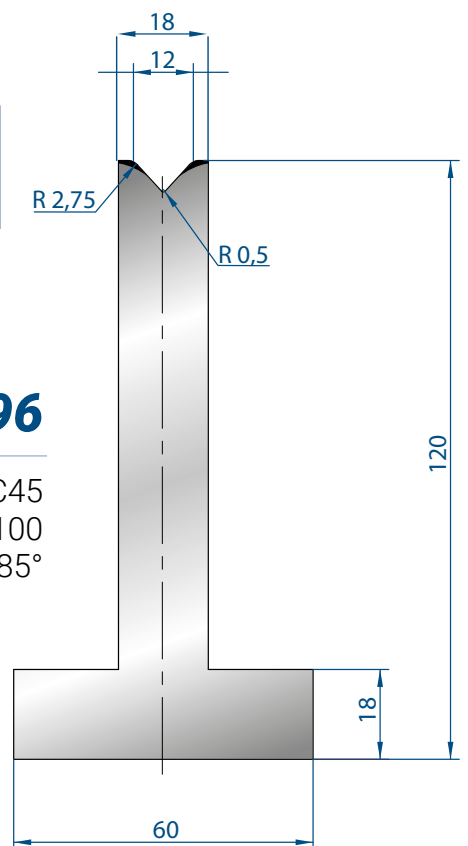
835 mm	17,0 kg
415 mm	8,0 kg
805 mm	17,0 kg
FRAZ. / SECT.	



3095

Mat = C45
Max T/m = 100
 $\alpha = 85^\circ$

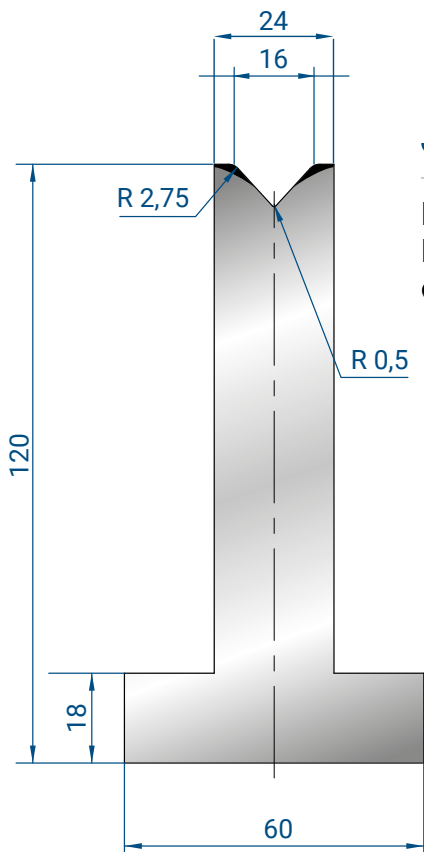
835 mm	18,0 kg
415 mm	9,0 kg
805 mm	18,0 kg
FRAZ. / SECT.	



3096

Mat = C45
Max T/m = 100
 $\alpha = 85^\circ$

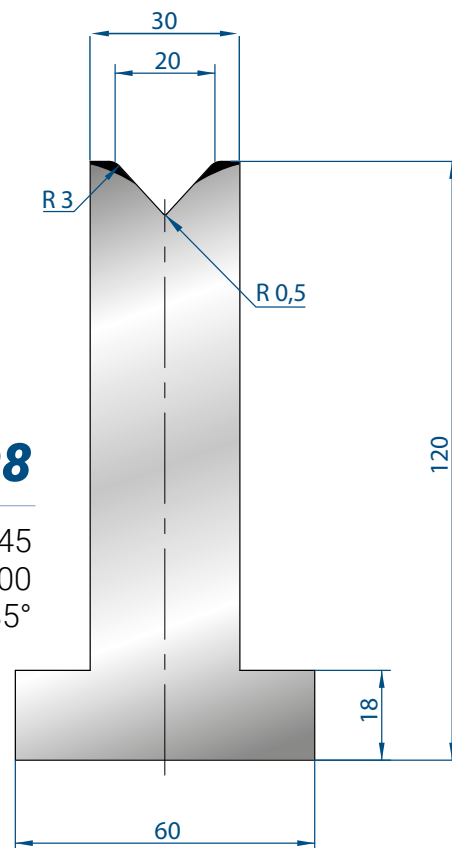
835 mm	18,0 kg
415 mm	9,0 kg
805 mm	18,0 kg
FRAZ. / SECT.	



3097

Mat = C45
Max T/m = 100
 $\alpha = 85^\circ$

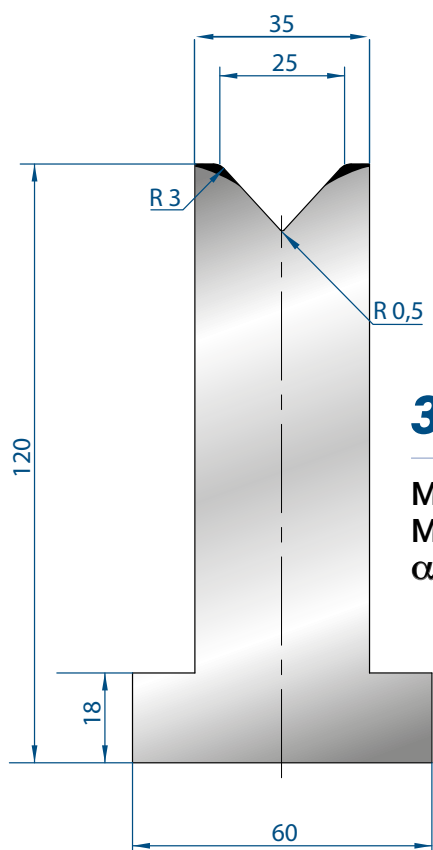
835 mm	22,0 kg
415 mm	11,0 kg
805 mm	22,0 kg
FRAZ. / SECT.	



3098

Mat = C45
Max T/m = 100
 $\alpha = 85^\circ$

835 mm	27,0 kg
415 mm	13,0 kg
805 mm	27,0 kg
FRAZ. / SECT.	

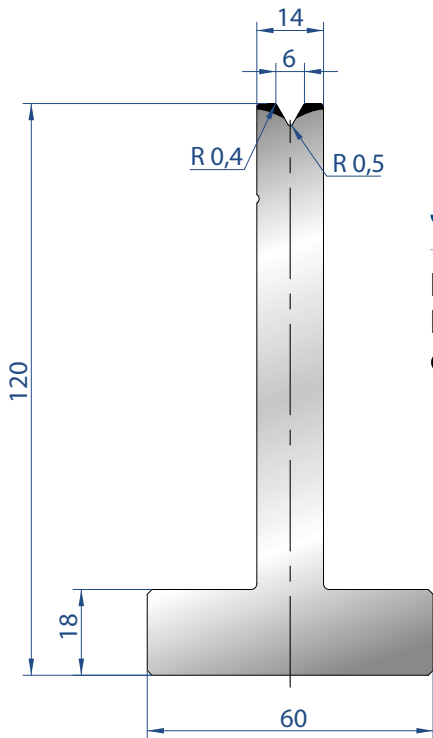


3099

Mat = C45
Max T/m = 100
 $\alpha = 85^\circ$

835 mm	13,0 kg
415 mm	5,0 kg
805 mm	13,0 kg
FRAZ. / SECT.	

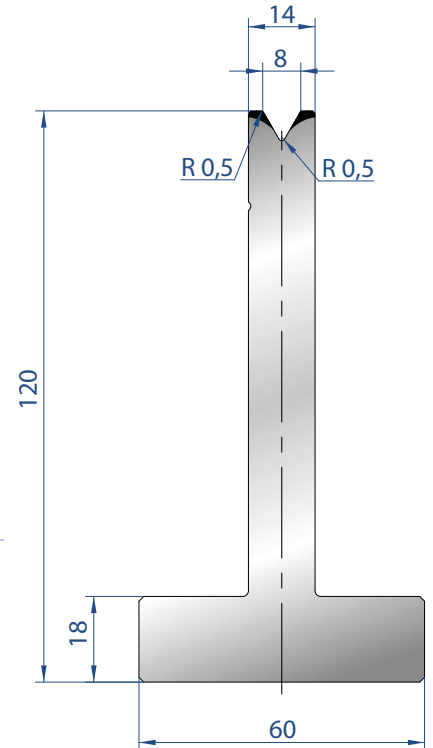




3059

Mat = C45
Max T/m = 60
 $\alpha = 60^\circ$

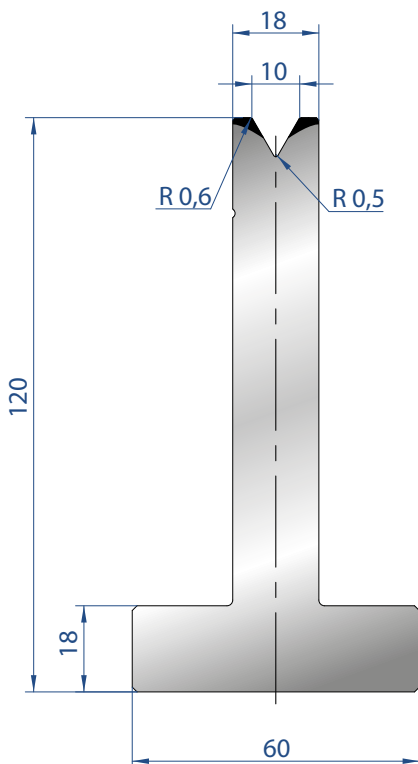
835 mm	17,0 kg
415 mm	8,0 kg
805 mm	17,0 kg
FRAZ. / SECT.	



3060

Mat = C45
Max T/m = 60
 $\alpha = 60^\circ$

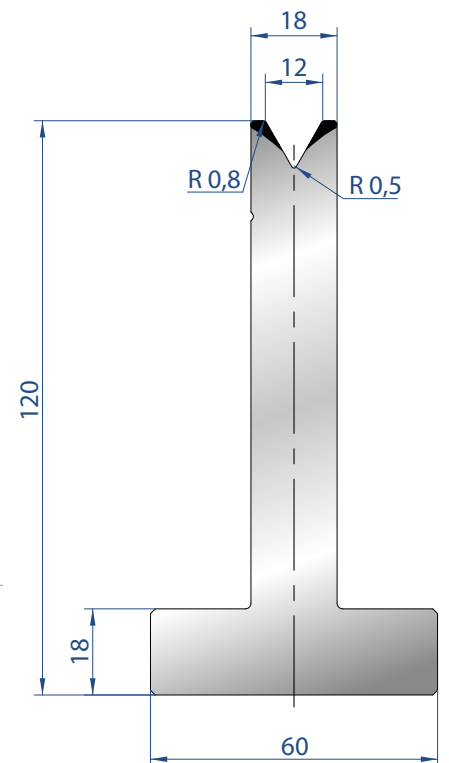
835 mm	17,0 kg
415 mm	8,0 kg
805 mm	17,0 kg
FRAZ. / SECT.	



3061

Mat = C45
Max T/m = 60
 $\alpha = 60^\circ$

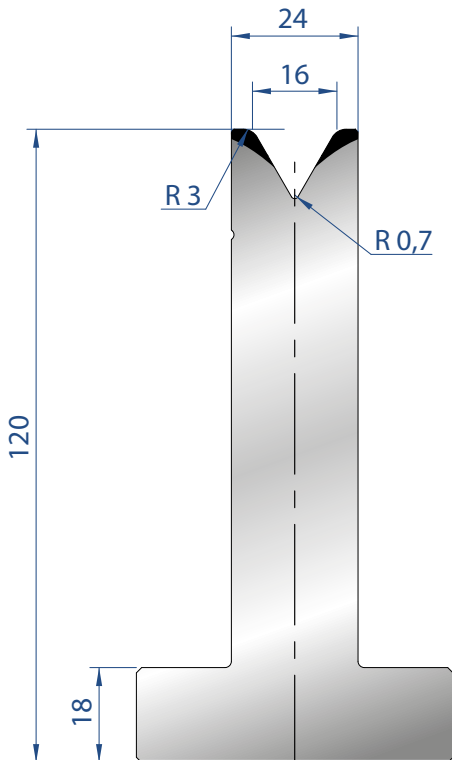
835 mm	18,0 kg
415 mm	9,0 kg
805 mm	18,0 kg
FRAZ. / SECT.	



3062

Mat = C45
Max T/m = 60
 $\alpha = 60^\circ$

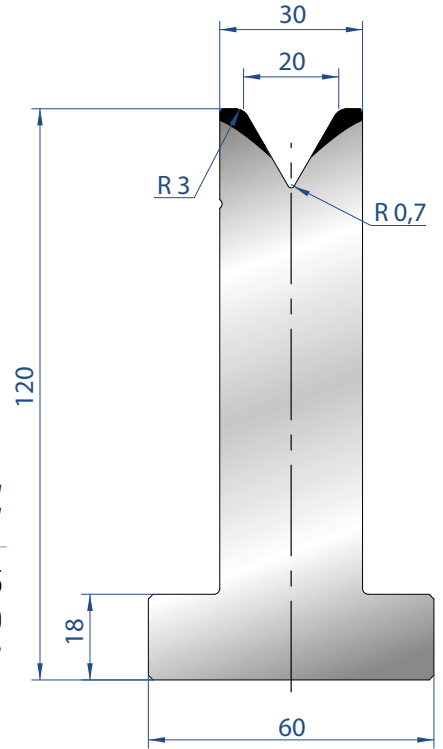
835 mm	18,0 kg
415 mm	9,0 kg
805 mm	18,0 kg
FRAZ. / SECT.	



3063

Mat = C45
 Max T/m = 75
 $\alpha = 60^\circ$

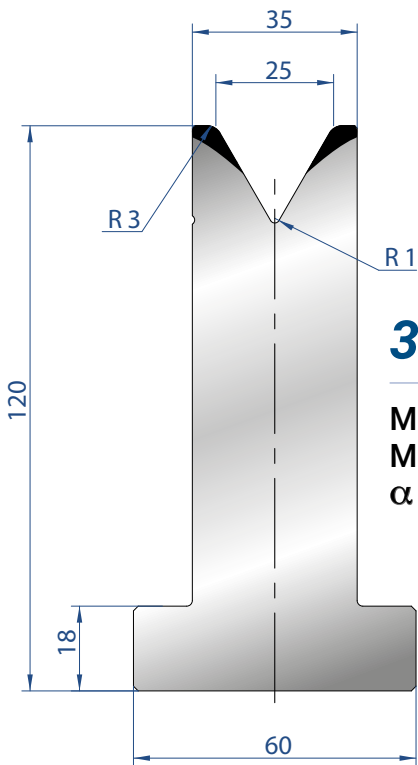
835 mm	22,0 kg
415 mm	11,0 kg
805 mm	22,0 kg
FRAZ. / SECT.	



3064

Mat = C45
 Max T/m = 70
 $\alpha = 60^\circ$

835 mm	27,0 kg
415 mm	13,0 kg
805 mm	27,0 kg
FRAZ. / SECT.	

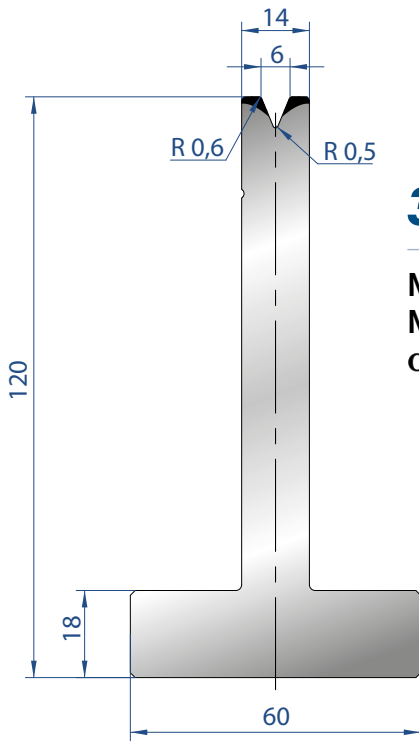


3065

Mat = C45
 Max T/m = 65
 $\alpha = 60^\circ$

835 mm	30,0 kg
415 mm	15,0 kg
805 mm	30,0 kg
FRAZ. / SECT.	

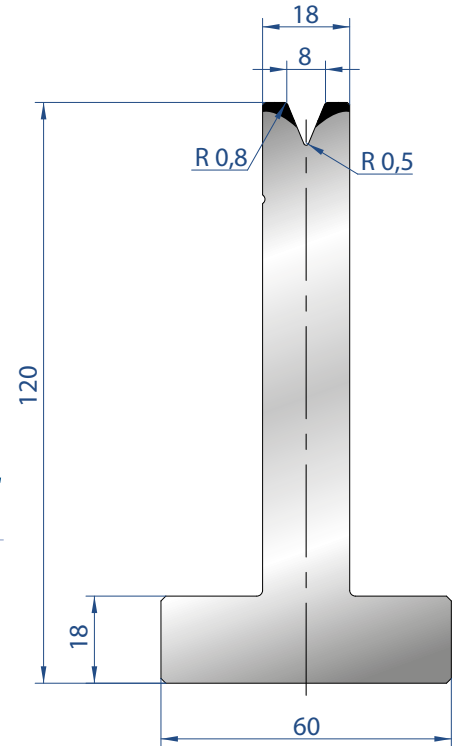




3066

Mat = C45
Max T/m = 50
 $\alpha = 45^\circ$

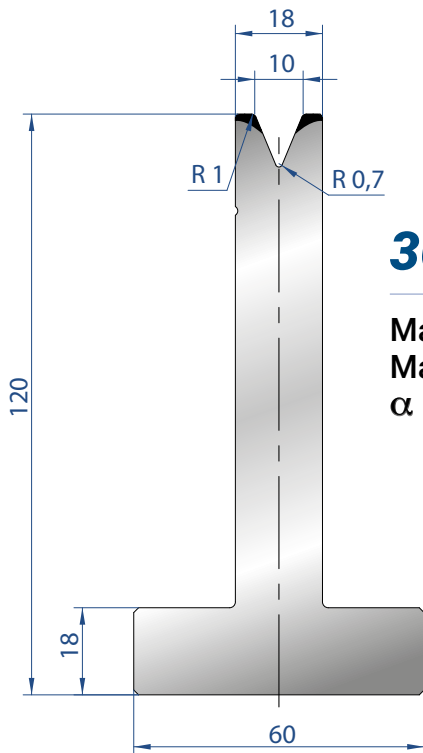
835 mm	17,0 kg
415 mm	8,0 kg
805 mm	17,0 kg
FRAZ. / SECT.	



3067

Mat = C45
Max T/m = 50
 $\alpha = 45^\circ$

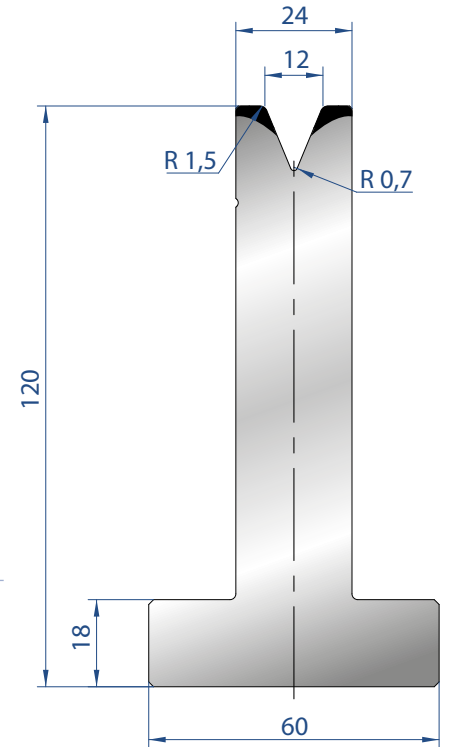
835 mm	17,0 kg
415 mm	8,0 kg
805 mm	17,0 kg
FRAZ. / SECT.	



3068

Mat = C45
Max T/m = 50
 $\alpha = 45^\circ$

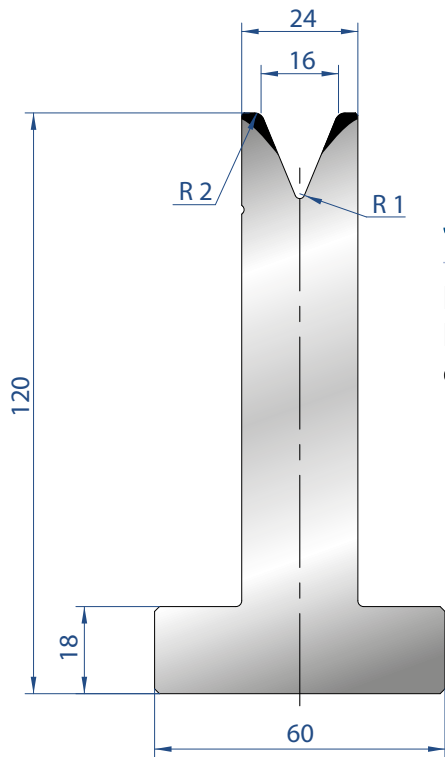
835 mm	18,0 kg
415 mm	9,0 kg
805 mm	18,0 kg
FRAZ. / SECT.	



3069

Mat = C45
Max T/m = 50
 $\alpha = 45^\circ$

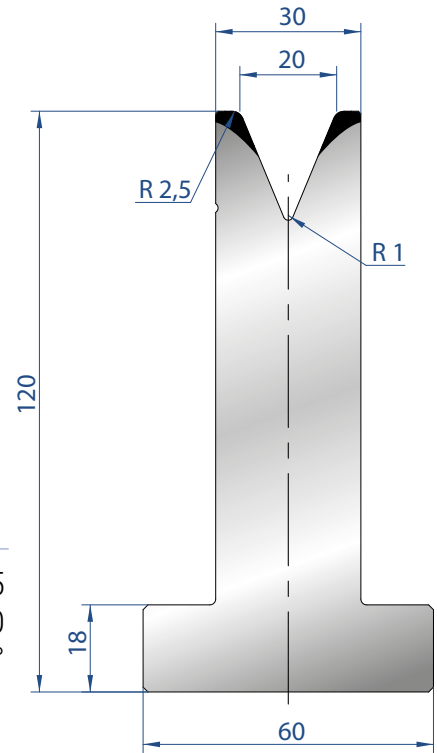
835 mm	22,0 kg
415 mm	11,0 kg
805 mm	22,0 kg
FRAZ. / SECT.	



3070

Mat = C45
Max T/m = 50
 $\alpha = 45^\circ$

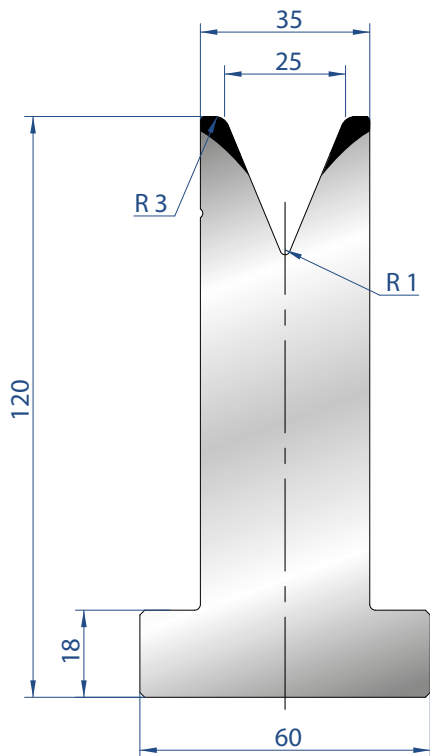
835 mm	22,0 kg
415 mm	11,0 kg
805 mm FRAZ. / SECT.	22,0 kg



3071

Mat = C45
Max T/m = 50
 $\alpha = 45^\circ$

835 mm	27,0 kg
415 mm	13,0 kg
805 mm FRAZ. / SECT.	27,0 kg

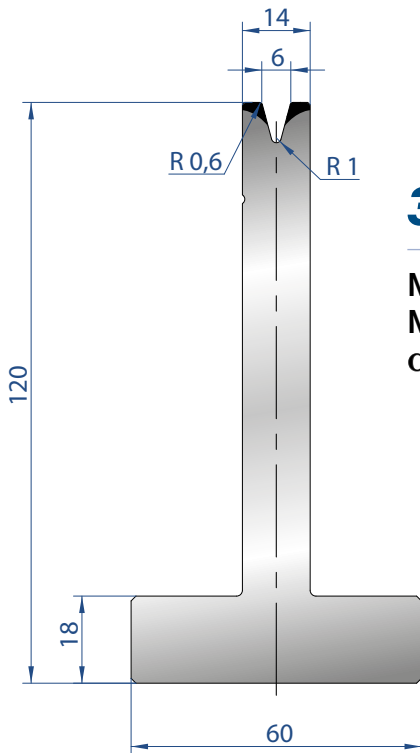


3072

Mat = C45
Max T/m = 50
 $\alpha = 45^\circ$

835 mm	30,0 kg
415 mm	15,0 kg
805 mm FRAZ. / SECT.	30,0 kg

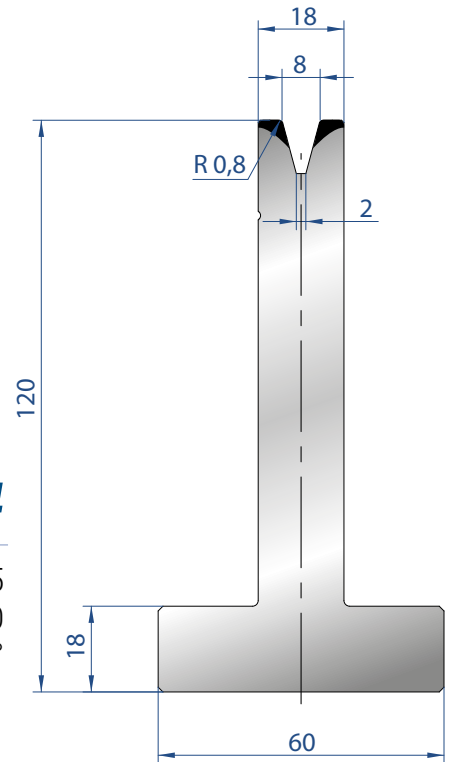




3073

Mat = C45
 Max T/m = 35
 $\alpha = 30^\circ$

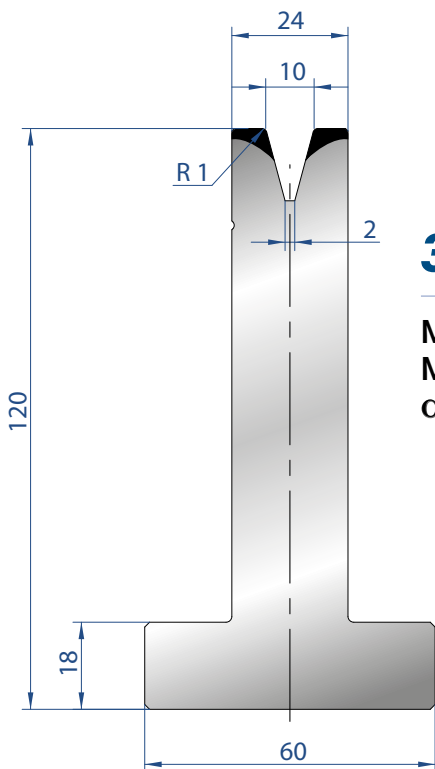
835 mm	17,0 kg
415 mm	8,0 kg
805 mm	17,0 kg
FRAZ. / SECT.	



3074

Mat = C45
 Max T/m = 40
 $\alpha = 30^\circ$

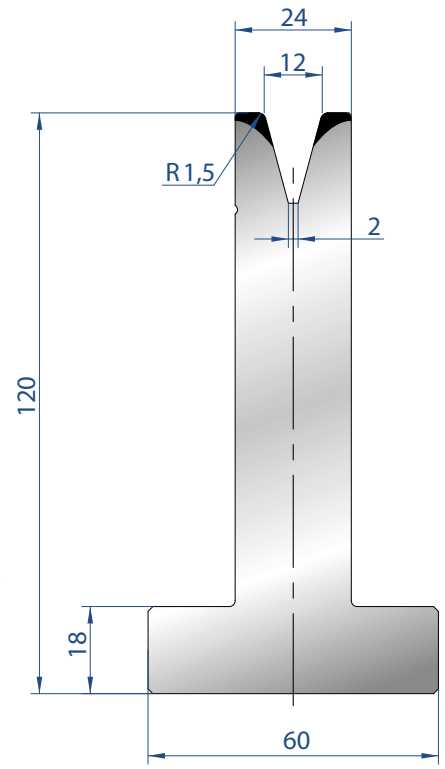
835 mm	18,0 kg
415 mm	9,0 kg
805 mm	18,0 kg
FRAZ. / SECT.	



3075

Mat = C45
 Max T/m = 50
 $\alpha = 30^\circ$

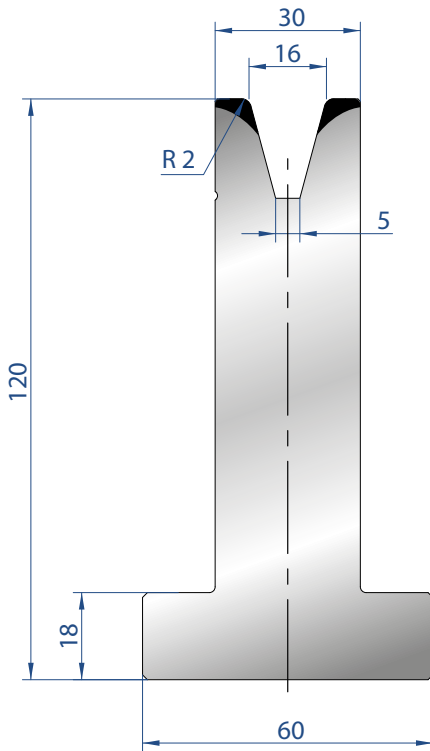
835 mm	22,0 kg
415 mm	11,0 kg
805 mm	22,0 kg
FRAZ. / SECT.	



3076

Mat = C45
 Max T/m = 50
 $\alpha = 30^\circ$

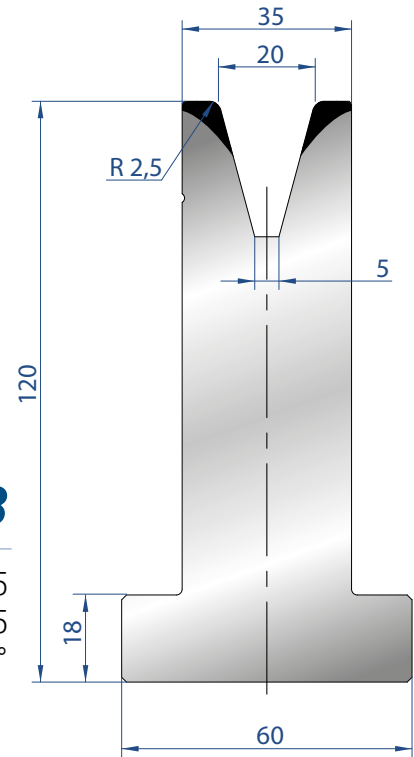
835 mm	22,0 kg
415 mm	11,0 kg
805 mm	22,0 kg
FRAZ. / SECT.	



3077

Mat = C45
Max T/m = 50
 $\alpha = 30^\circ$

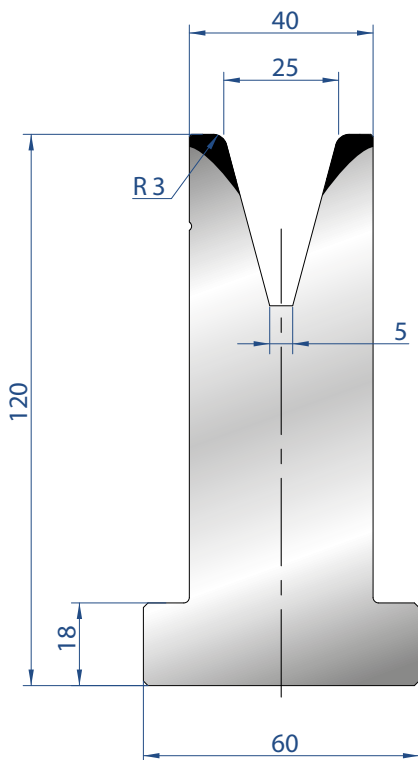
835 mm	27,0 kg
415 mm	13,0 kg
805 mm	27,0 kg
FRAZ. / SECT.	



3078

Mat = C45
Max T/m = 55
 $\alpha = 30^\circ$

835 mm	30,0 kg
415 mm	15,0 kg
805 mm	30,0 kg
FRAZ. / SECT.	



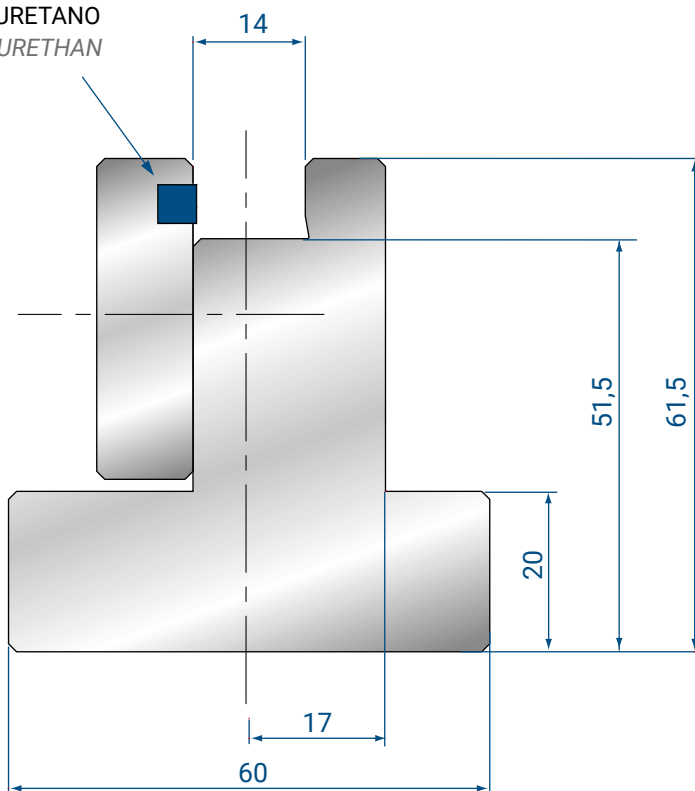
3079

Mat = C45
Max T/m = 50
 $\alpha = 30^\circ$

835 mm	33,0 kg
415 mm	16,0 kg
805 mm	33,0 kg
FRAZ. / SECT.	



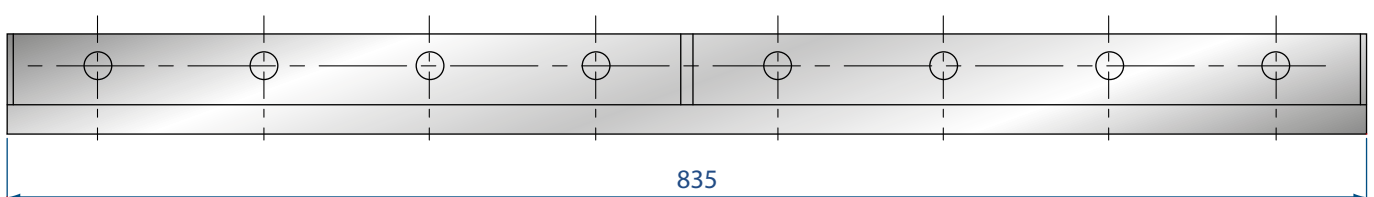
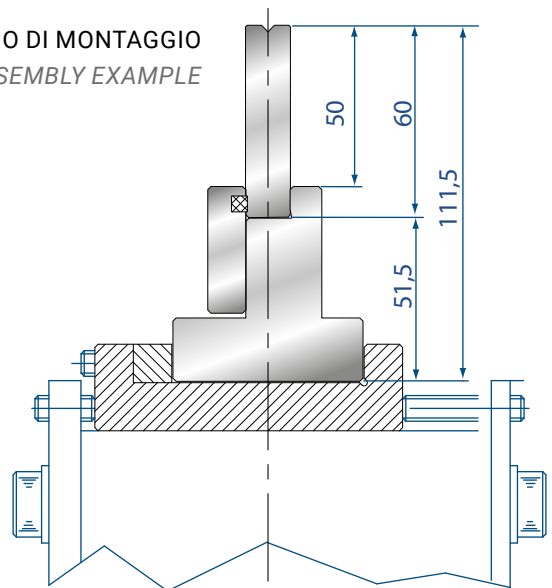
POLIURETANO
POLYURETHAN



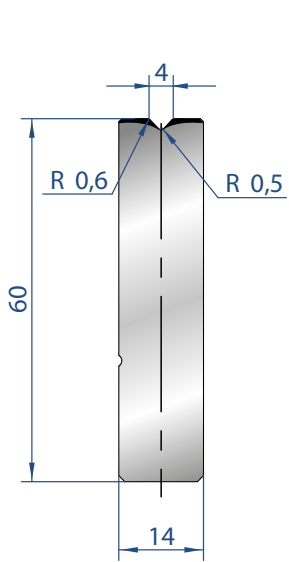
3173

835 mm	17,0 kg
415 mm	8,0 kg

ESEMPIO DI MONTAGGIO
ASSEMBLY EXAMPLE



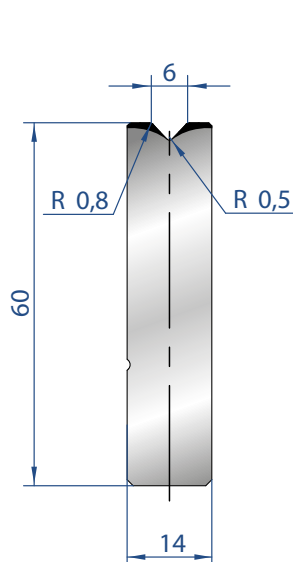




3158

Mat = C45
Max T/m = 100
 $\alpha = 88^\circ$

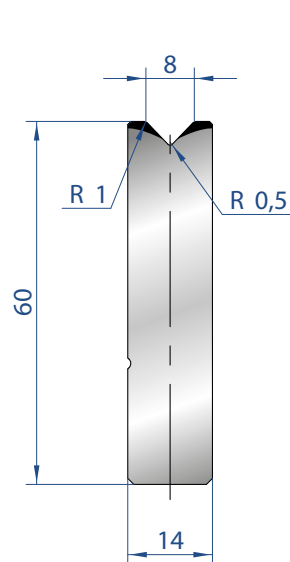
835 mm	5,0 kg
415 mm	2,0 kg
805 mm	5,0 kg
FRAZ. / SECT.	



3159

Mat = C45
Max T/m = 100
 $\alpha = 88^\circ$

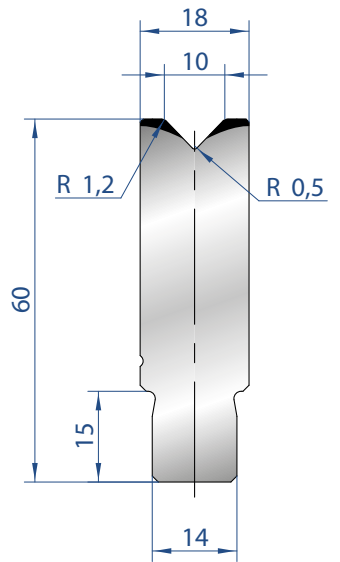
835 mm	5,0 kg
415 mm	2,0 kg
805 mm	5,0 kg
FRAZ. / SECT.	



3160

Mat = C45
Max T/m = 100
 $\alpha = 88^\circ$

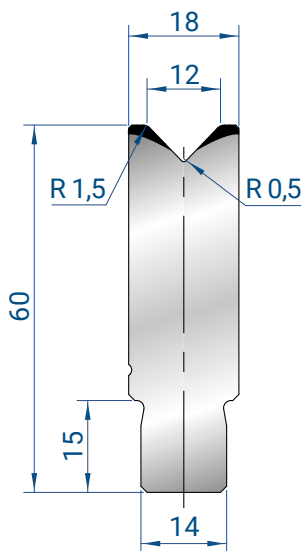
835 mm	5,0 kg
415 mm	2,0 kg
805 mm	5,0 kg
FRAZ. / SECT.	



3161

Mat = C45
Max T/m = 100
 $\alpha = 88^\circ$

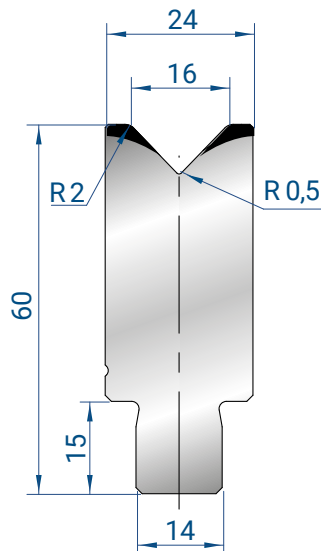
835 mm	6,0 kg
415 mm	3,0 kg
805 mm	6,0 kg
FRAZ. / SECT.	



3162

Mat = C45
Max T/m = 100
 $\alpha = 88^\circ$

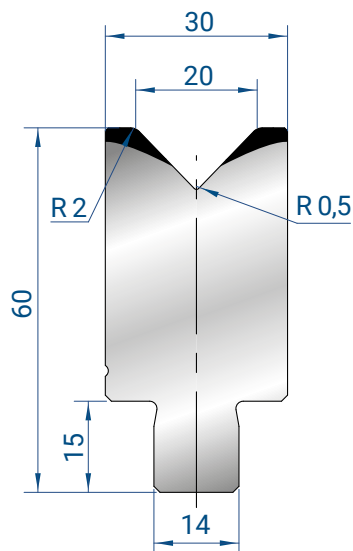
835 mm	6,0 kg
415 mm	3,0 kg
805 mm	6,0 kg
FRAZ. / SECT.	



3163

Mat = C45
Max T/m = 100
 $\alpha = 88^\circ$

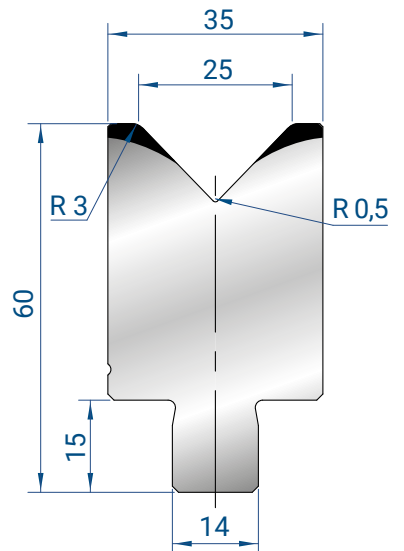
835 mm	8,0 kg
415 mm	4,0 kg
805 mm	8,0 kg
FRAZ. / SECT.	



3164

Mat = C45
Max T/m = 100
 $\alpha = 88^\circ$

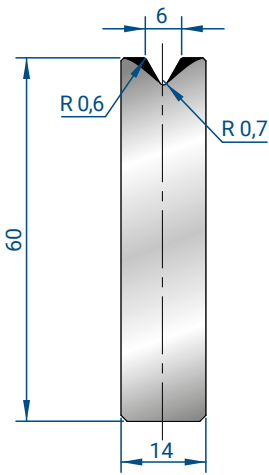
835 mm	9,0 kg
415 mm	4,0 kg
805 mm	9,0 kg
FRAZ. / SECT.	



3165

Mat = C45
Max T/m = 100
 $\alpha = 88^\circ$

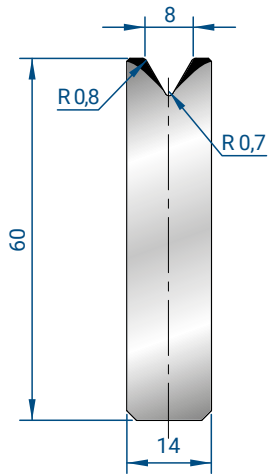
835 mm	10,0 kg
415 mm	5,0 kg
805 mm	10,0 kg
FRAZ. / SECT.	



3193

Mat = C45
Max T/m = 60
 $\alpha = 60^\circ$

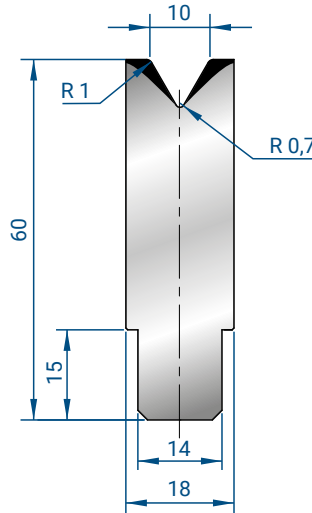
835 mm	5,4 kg
415 mm	2,7 kg
805 mm	5,4 kg
FRAZ. / SECT.	



3194

Mat = C45
Max T/m = 60
 $\alpha = 60^\circ$

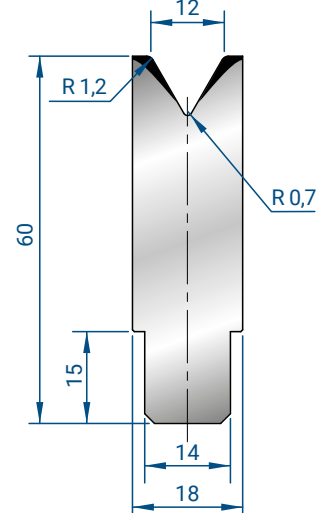
835 mm	5,4 kg
415 mm	2,7 kg
805 mm	5,4 kg
FRAZ. / SECT.	



3195

Mat = C45
Max T/m = 60
 $\alpha = 60^\circ$

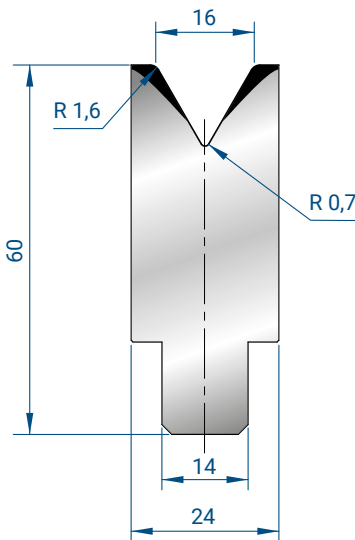
835 mm	6,4 kg
415 mm	3,2 kg
805 mm	6,4 kg
FRAZ. / SECT.	



3196

Mat = C45
Max T/m = 60
 $\alpha = 60^\circ$

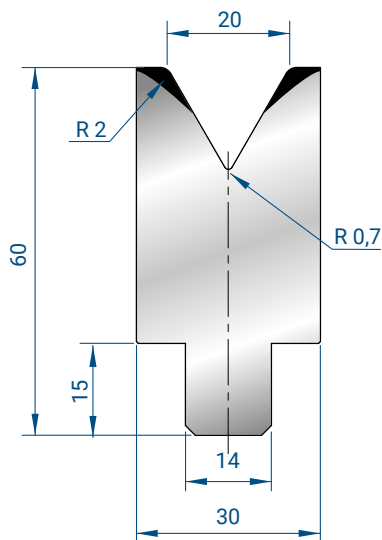
835 mm	6,2 kg
415 mm	3,1 kg
805 mm	6,2 kg
FRAZ. / SECT.	



3197

Mat = C45
Max T/m = 60
 $\alpha = 60^\circ$

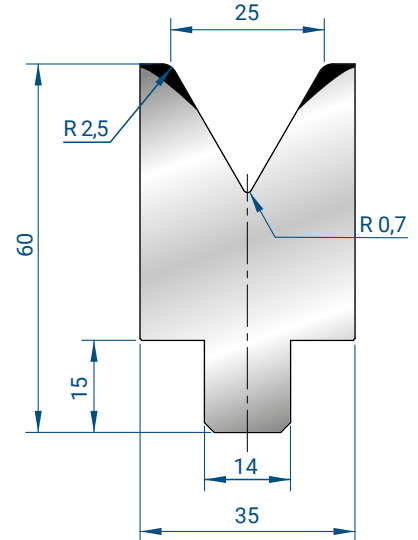
835 mm	7,7 kg
415 mm	3,9 kg
805 mm	7,7 kg
FRAZ. / SECT.	



3198

Mat = C45
Max T/m = 60
 $\alpha = 60^\circ$

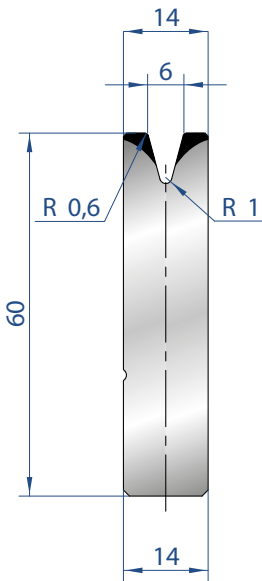
835 mm	9,0 kg
415 mm	4,5 kg
805 mm	9,0 kg
FRAZ. / SECT.	



3199

Mat = C45
Max T/m = 60
 $\alpha = 60^\circ$

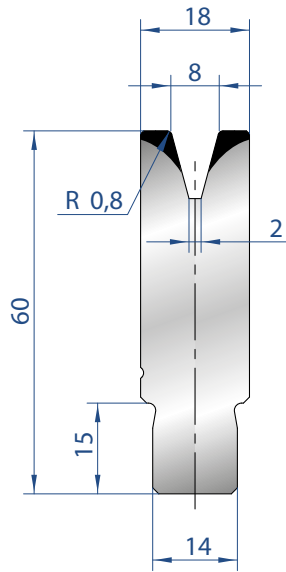
835 mm	10,0 kg
415 mm	5,0 kg
805 mm	10,0 kg
FRAZ. / SECT.	



3166

Mat = C45
Max T/m = 35
 $\alpha = 30^\circ$

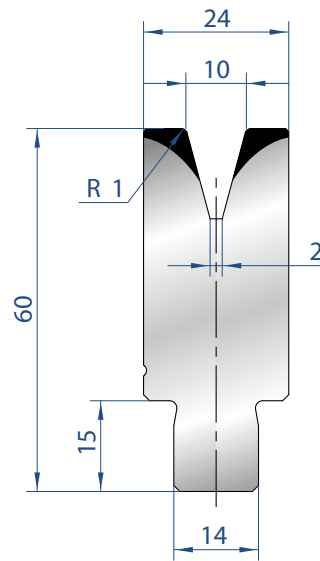
835 mm	5,0 kg
415 mm	2,0 kg
805 mm	5,0 kg
FRAZ. / SECT.	



3167

Mat = C45
Max T/m = 40
 $\alpha = 30^\circ$

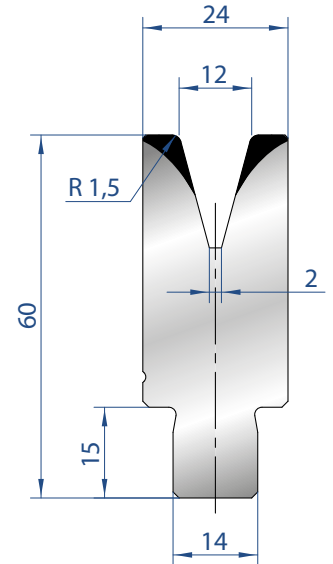
835 mm	6,0 kg
415 mm	3,0 kg
805 mm	6,0 kg
FRAZ. / SECT.	



3168

Mat = C45
Max T/m = 50
 $\alpha = 30^\circ$

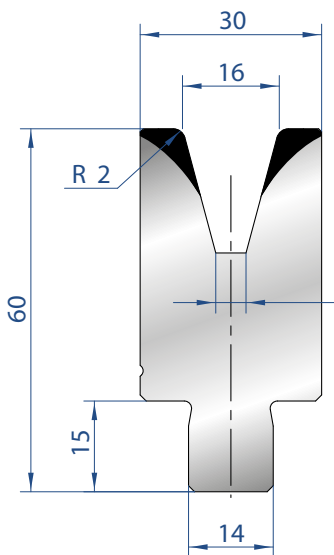
835 mm	8,0 kg
415 mm	4,0 kg
805 mm	8,0 kg
FRAZ. / SECT.	



3169

Mat = C45
Max T/m = 50
 $\alpha = 30^\circ$

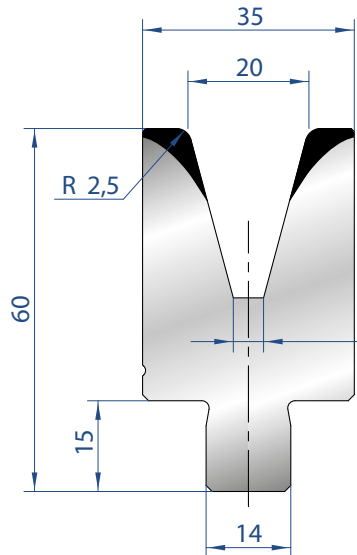
835 mm	7,0 kg
415 mm	3,0 kg
805 mm	7,0 kg
FRAZ. / SECT.	



3170

Mat = C45
Max T/m = 50
 $\alpha = 30^\circ$

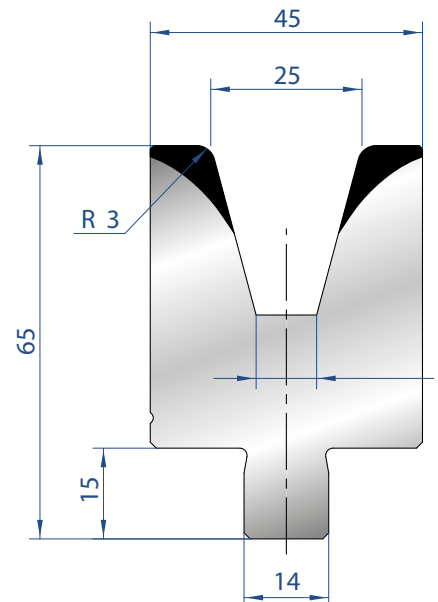
835 mm	9,0 kg
415 mm	4,0 kg
805 mm	9,0 kg
FRAZ. / SECT.	



3171

Mat = C45
Max T/m = 55
 $\alpha = 30^\circ$

835 mm	9,0 kg
415 mm	4,0 kg
805 mm	9,0 kg
FRAZ. / SECT.	



3172

Mat = C45
Max T/m = 55
 $\alpha = 30^\circ$

835 mm	13,0 kg
415 mm	6,0 kg
805 mm	13,0 kg
FRAZ. / SECT.	

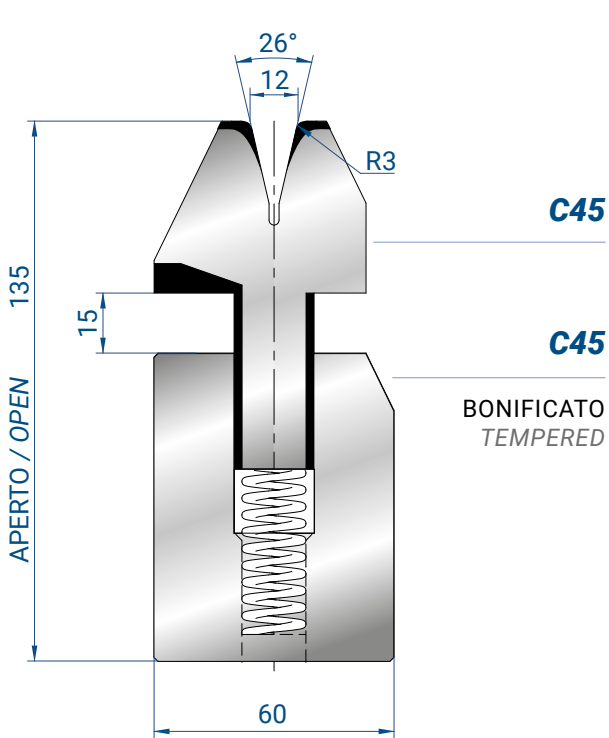


EUROSTAMP TOOLING
the Italian excellence

3040

A 26°
R 3
H 135

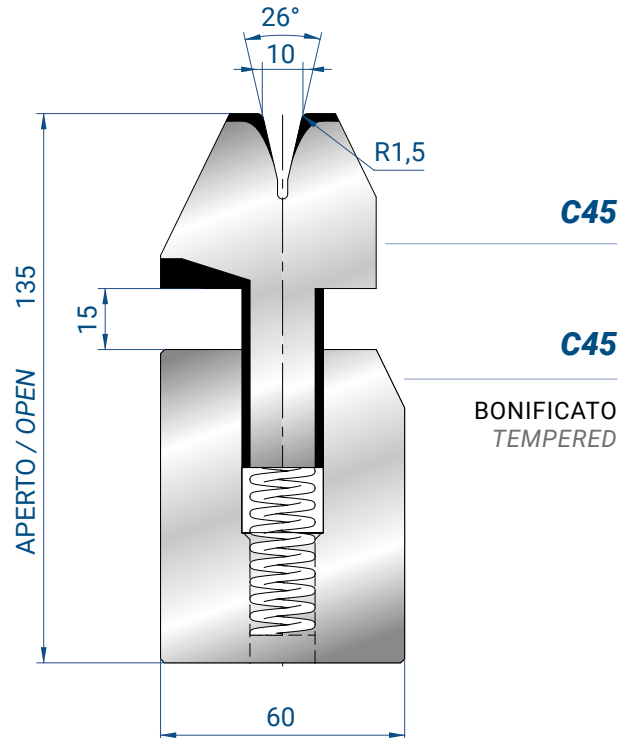
V 12
L 415
100 T/m



3040

835 mm	42,0 kg
415 mm	21,0 kg

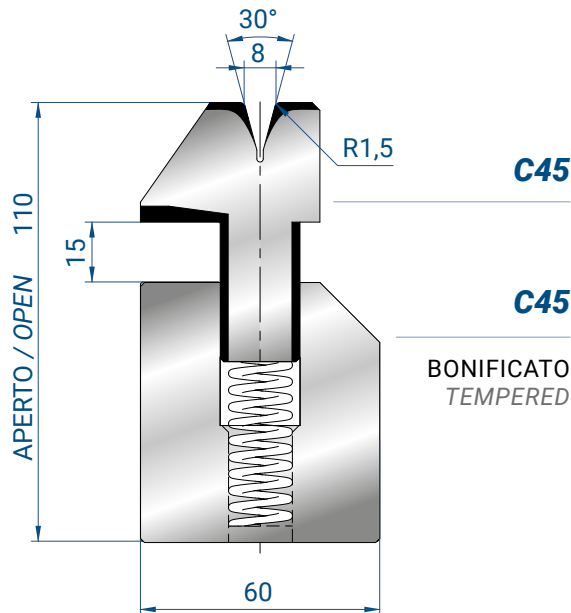
Spessore /
Sheet metal thickness =
Min 1,5 mm - Max 3 mm
Max T/m = 100



3038

835 mm	42,0 kg
415 mm	21,0 kg

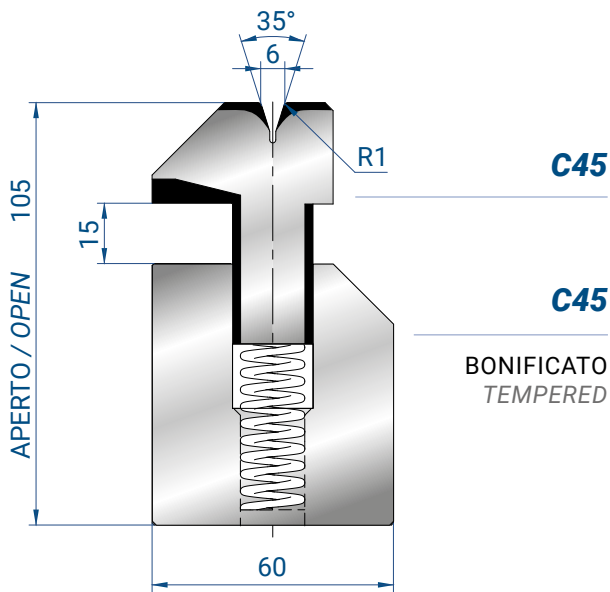
Spessore /
Sheet metal thickness =
Min 1,5 mm - Max 2,5 mm
Max T/m = 100



3041

835 mm	34,0 kg
415 mm	17,0 kg

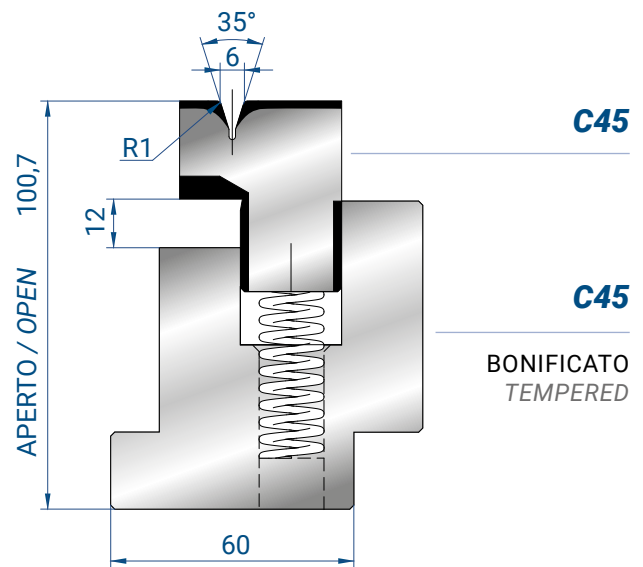
Spessore /
Sheet metal thickness = Max 1,5 mm
Max T/m = 80



3039

835 mm	32,0 kg
415 mm	16,0 kg

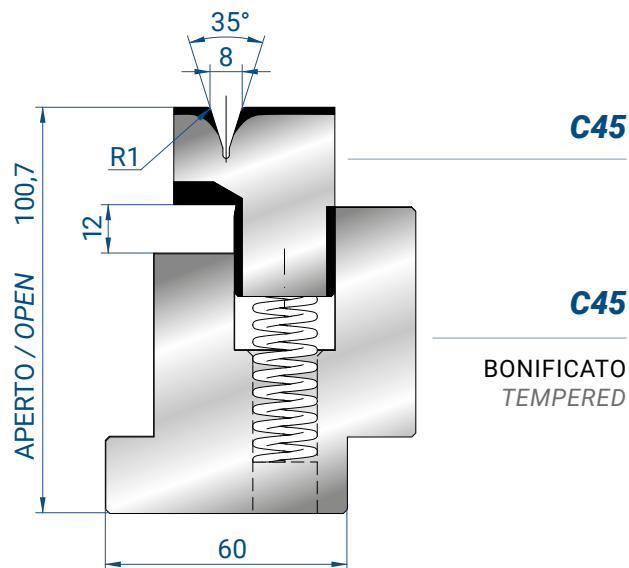
Spessore /
Sheet metal thickness = Max 1,0 mm
Max T/m = 80



3037/6

835 mm	34,0 kg
415 mm	17,0 kg

Spessore /
Sheet metal thickness = Max 1,0 mm
Max T/m = 60



3037/8

835 mm	34,0 kg
415 mm	17,0 kg

Spessore /
Sheet metal thickness = Max 1,2 mm
Max T/m = 60

TONNELLAGGI PER SCHIACCIATURA HEMMING POWER



Ferro normale R.45 Kg/mm^q / Mild Steel R.45 Kg/mm^q

S mm	A mm	Ton /M	2xS	Ton /M
0,6	3	9	1,2	23
0,8	3	12	1,6	32
1	3,5	15	2	40
1,25	3,5	17	2,5	50
1,5	4,6	22	3	63
2	5,5	30	4	80
2,5	6,5	55	5	90
3	8	70	6	100

Inox R.70 Kg/mm^q / Stainless Steel R.70 Kg/mm^q

S mm	A mm	Ton /M	2xS	Ton /M
0,6	3	15	1,2	35
0,8	3	20	1,6	50
1	3,5	25	2	60
1,25	3,5	26	2,5	80
1,5	4,6	38	3	95
2	5,5	50	4	130

PIEGASCHIACCIA PNEUMATICI PNEUMATIC FLATTENING HEMMING TOOLS



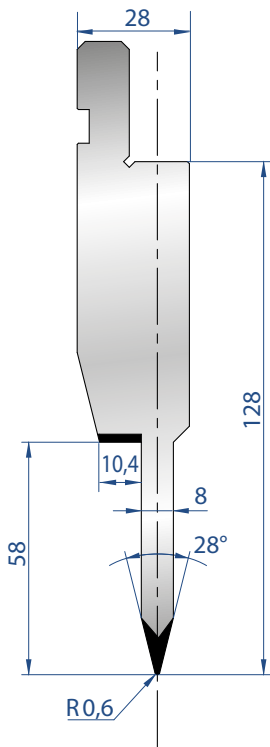
4313

4,0 kg

KIT PNEUMATICO
PNEUMATIC KIT

NECESSARIO PER
INSTALLAZIONE SISTEMI
PNEUMATICI
MANDATORY FOR
INSTALLATION OF
PNEUMATIC SYSTEMS

	V	A	R	H aperto/open	Max T/M
3038 PN	10	26°	1,5	135	100
				835 mm	42,0 kg
				415 mm	21,0 kg
3039 PN	6	35°	1	105	80
				835 mm	32,0 kg
				415 mm	16,0 kg
3040 PN	12	26°	3	135	100
				835 mm	42,0 kg
				415 mm	21,0 kg
3041 PN	8	30°	1,5	110	80
				835 mm	34,0 kg
				415 mm	17,0 kg



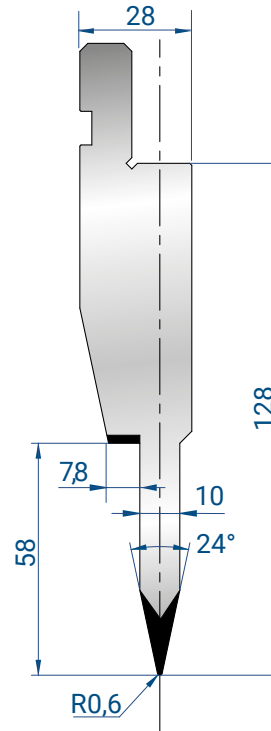
1195

Mat = C45
bonificato /
tempered
Max T/m = 80

835 mm	17,0 kg
415 mm	8,0 kg
805 mm	17,0 kg
FRAZ. / SECT.	

**Spessore /
Thickness**

Max 1,2 mm
Ferro / *Mild steel*



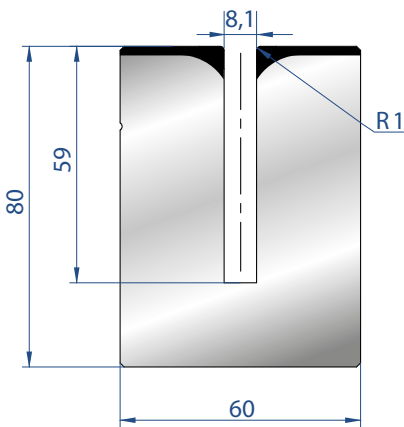
1196

Mat = C45
bonificato /
tempered
Max T/m = 80

835 mm	18,0 kg
415 mm	9,0 kg
805 mm	18,0 kg
FRAZ. / SECT.	

**Spessore /
Thickness**

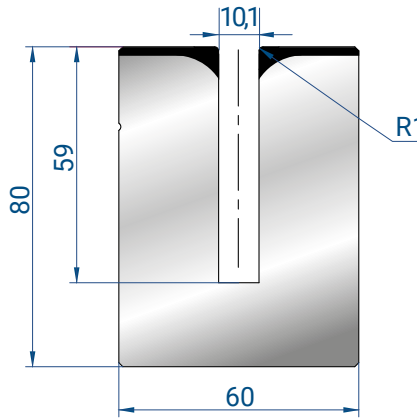
Max 1,5 mm
Ferro / *Mild steel*



3176

Mat = C45
bonificato /
tempered
Max T/m = 50

835 mm	28,0 kg
415 mm	14,0 kg
805 mm	28,0 kg
FRAZ. / SECT.	

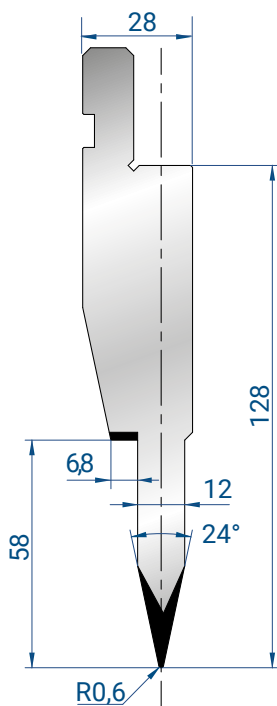


3177

Mat = C45
bonificato /
tempered
Max T/m = 50

835 mm	27,0 kg
415 mm	13,0 kg
805 mm	27,0 kg
FRAZ. / SECT.	





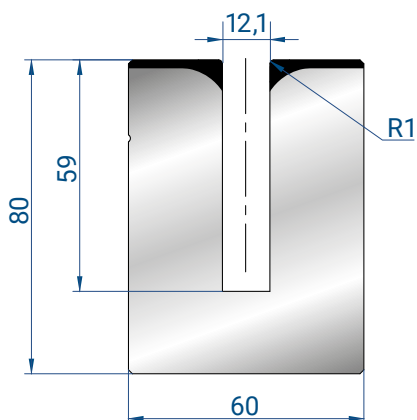
1197

Mat = C45
 bonificato /
 tempered
Max T/m = 80

835 mm	18,0 kg
415 mm	9,0 kg
805 mm	18,0 kg
FRAZ. / SECT.	

Spessore /
Thickness

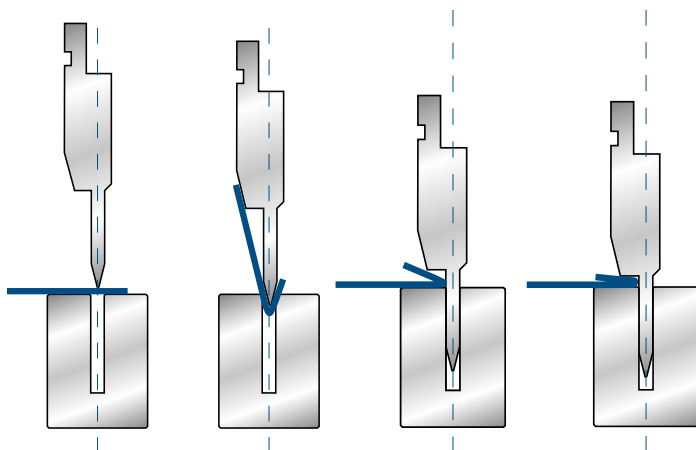
Max 1,5 mm
 Ferro / Mild steel

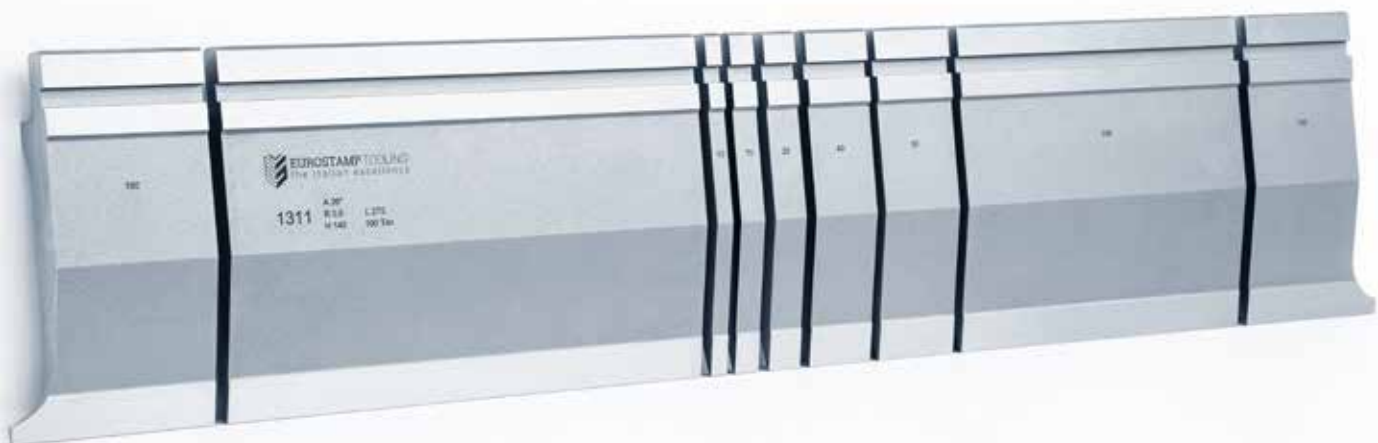
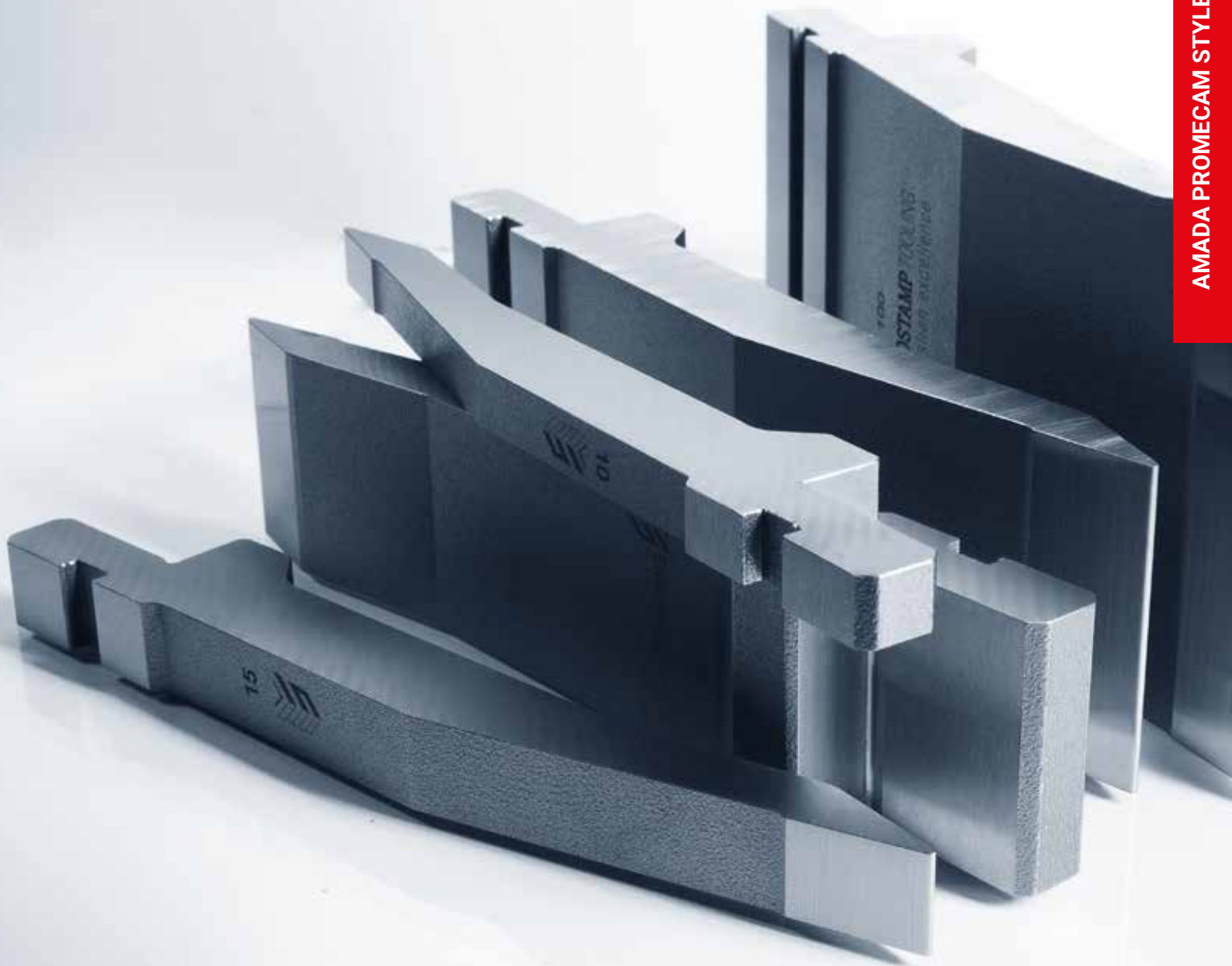


3178

Mat = C45
 bonificato /
 tempered
Max T/m = 50

835 mm	26,0 kg
415 mm	13,0 kg
805 mm	26,0 kg
FRAZ. / SECT.	







TRUMPF STYLE

Gli utensili superiori e inferiori elencati in questa sezione possono essere installati sulle piegatrici:

Trumpf, LVD , Darley, Safan e su altre piegatrici equipaggiate con Sistema NSCL.

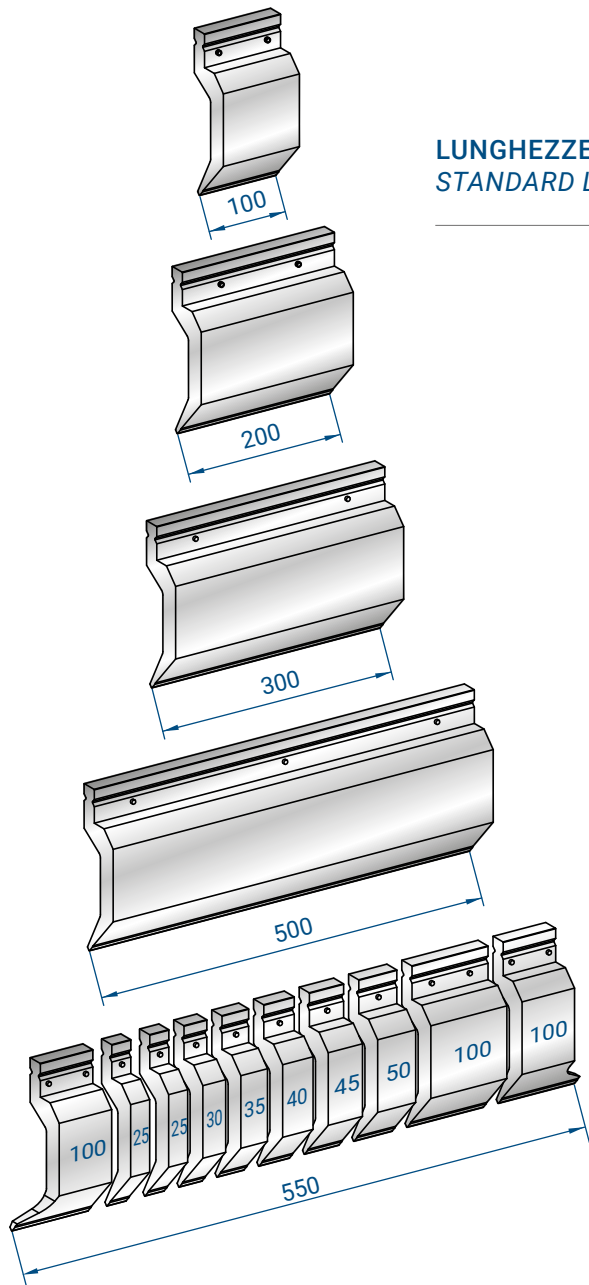
Questi utensili possono essere installati anche su altre piegatrici tramite adattatori superiori e inferiori.

The upper and lower tooling listed in this section could be installed on the following press brakes:

Trumpf, Darley, Safan, and other press brakes equipped with Wila style clamping system.

These tooling could even be installed on press brakes equipped with different clamping system by choosing the appropriate upper and lower adapters.



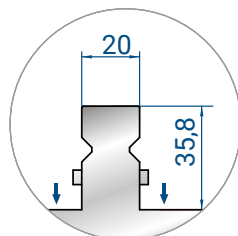
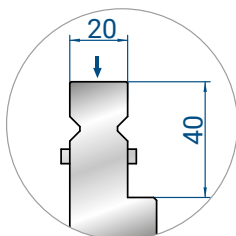


LUNGHEZZE STANDARD
STANDARD LENGTHS

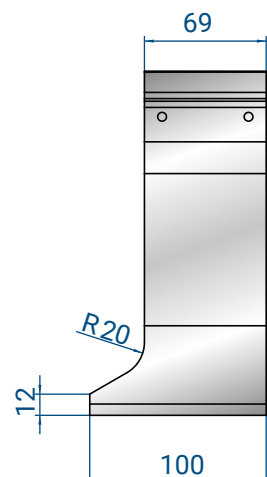


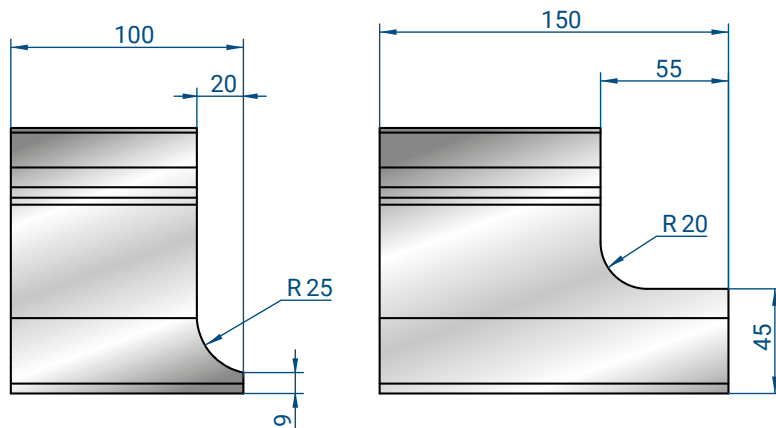
IL PULSANTE DI SICUREZZA SU RICHIESTA QUANDO IL PESO DELL'UTENSILE È INFERIORE A 13,5 KG

SAFETY BUTTON ON DEMAND WHEN THE WEIGHT OF THE TOOL IS LESS THAN 13.5 KG



FRESATURA SCARPETTA
MILLED HORN



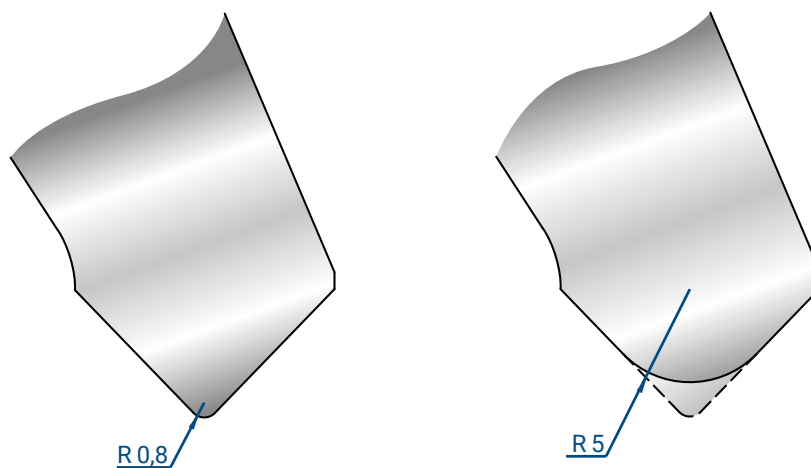


SCARPETTE SPECIALI
SPECIAL HORNS



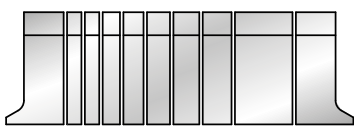
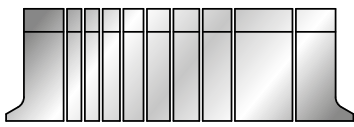
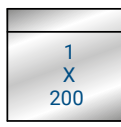
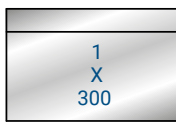

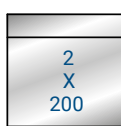
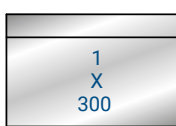

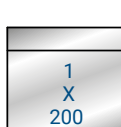
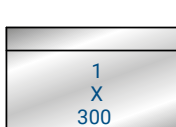
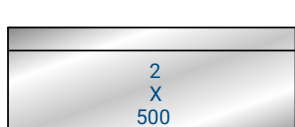

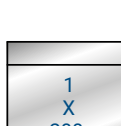
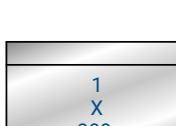
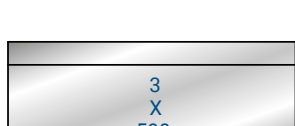

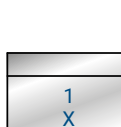
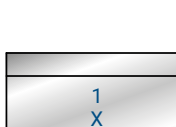
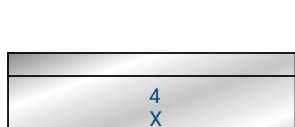

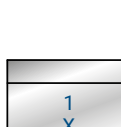
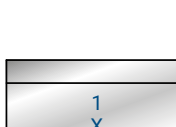
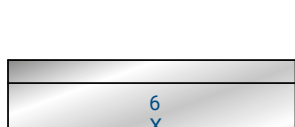
TAGLI SU RICHIESTA
SPECIAL SEGMENTATION

MODIFICA RAGGIO
RADIUS MODIFICATION



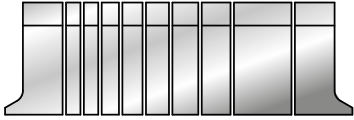

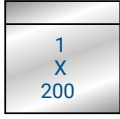
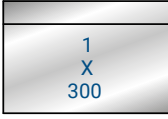
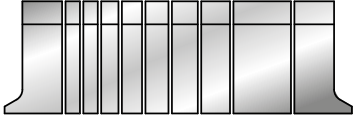

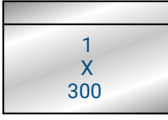
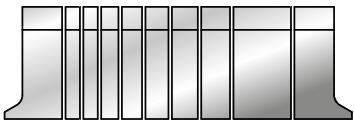

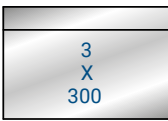


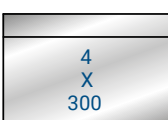

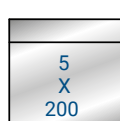
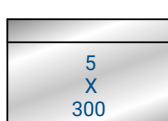

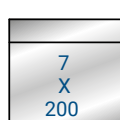
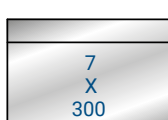
FRAZIONATURE PER PUNZONI
SEGMENTATION FOR PUNCHES

1233 - 1234 - 1235 - 1236
1237 - 1238 - 1295
1302 - 1308 - 1313 - 1314
1316 - 1317 - 1318

550				
1050				
1250				
2050				
2550				
3050				
4050				

FRAZIONATURE PER PUNZONI
SEGMENTATION FOR PUNCHES

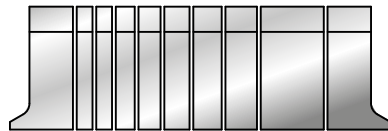
1294 - 1303 - 1319 - 1320

550			
1050			
1250			
2050			
2550			
3050			
4050			

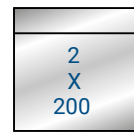
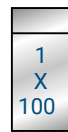
FRAZIONATURE PER PUNZONI
SEGMENTATION FOR PUNCHES

1315

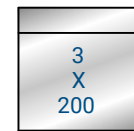
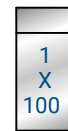
550



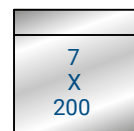
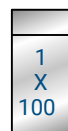
1050



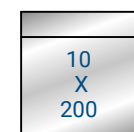
1250



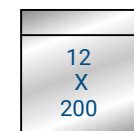
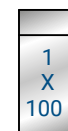
2050



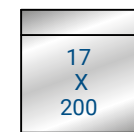
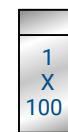
2550



3050

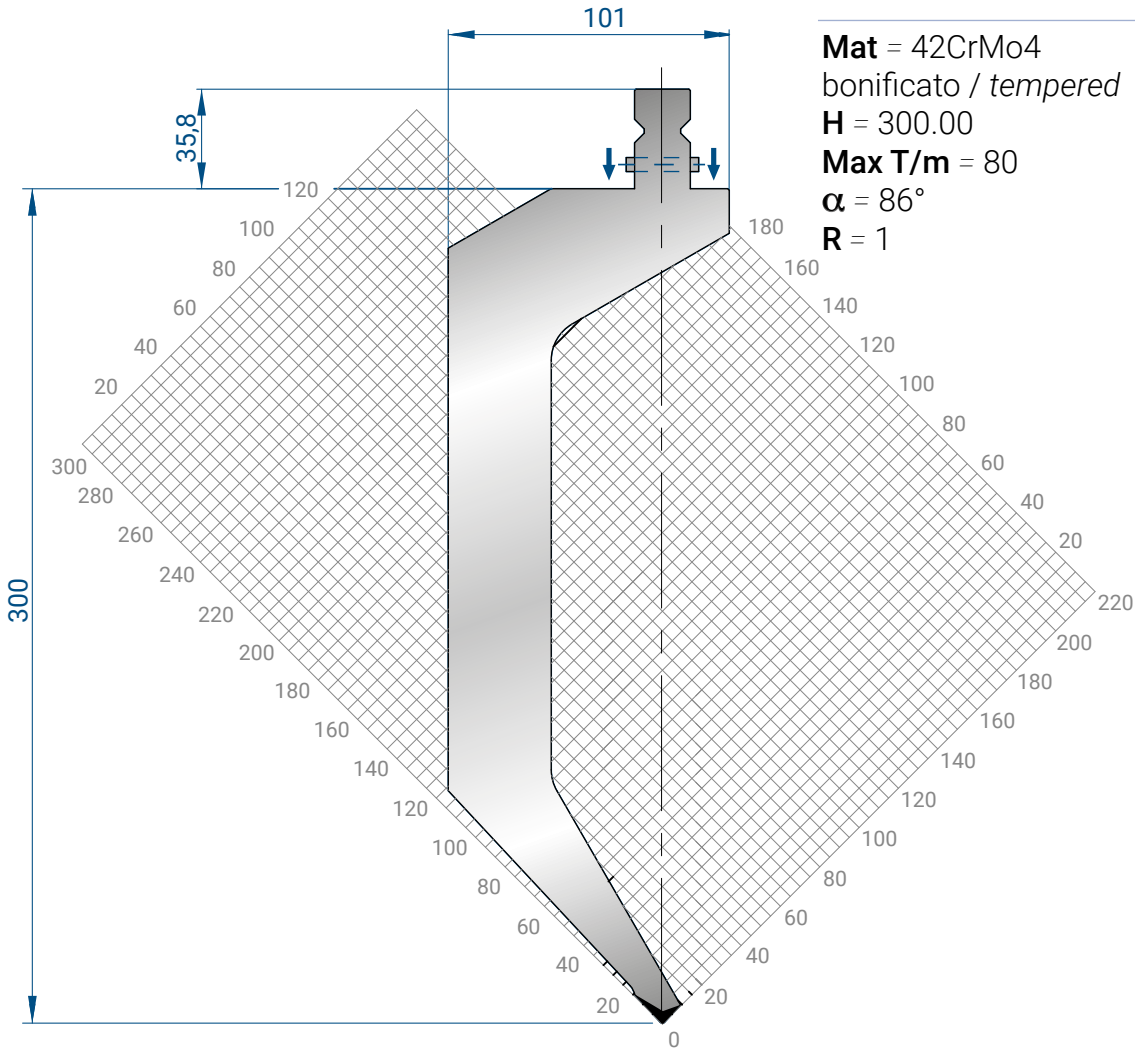


4050





1315

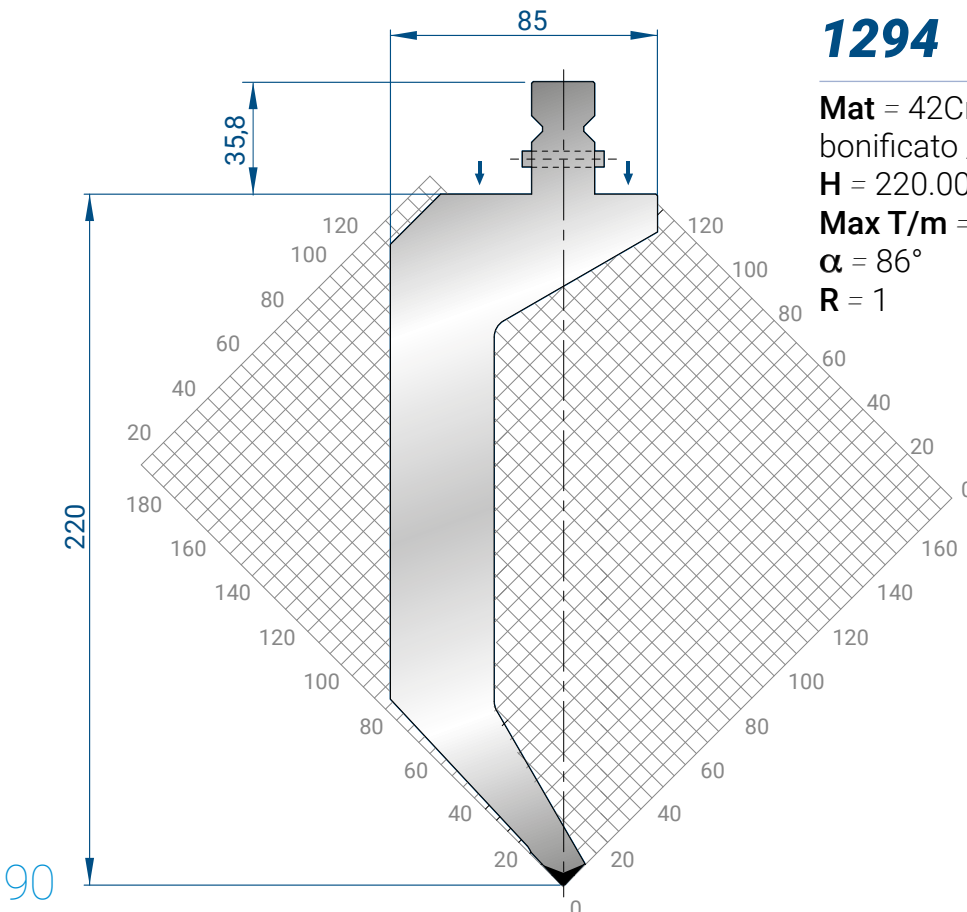


Mat = 42CrMo4
 bonificato / *tempered*
H = 300.00
Max T/m = 80
 α = 86°
R = 1

25-30 mm	3,9 kg
35-40	
45-50	
100 mm SCARP. /HORN	9,0 kg
100 mm FRAZ. B/SECT.	9,0 kg
200 mm	19,6 kg
550 mm FRAZ. /SECT.	49,6 kg
1050 mm FRAZ. B/SECT.	102,9 kg
1250 mm FRAZ. B/SECT.B	122,5 kg
2050 mm FRAZ. B/SECT.B	200,9 kg
2550 mm FRAZ. B/SECT.B	249,9 kg
3050 mm FRAZ. B/SECT.B	298,9 kg
4050 mm FRAZ. B/SECT.B	396,9 kg

 SPINTA LATERALE
 SHOULDER LOAD

1294

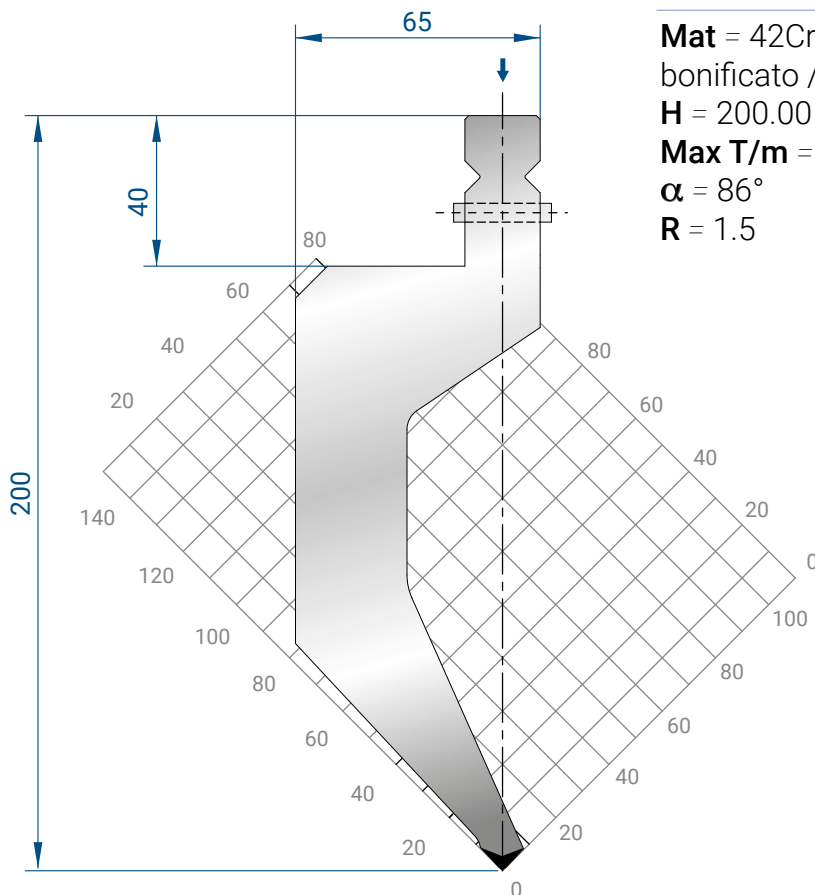


Mat = 42CrMo4
 bonificato / *tempered*
H = 220.00
Max T/m = 85
 α = 86°
R = 1

25-30 mm	2,5 kg
35-40	
45-50	
100 mm SCARP. /HORN	6,0 kg
100 mm	6,4 kg
200 mm	12,8 kg
300 mm	19,2 kg
500 mm	32,0 kg
550 mm FRAZ. /SECT	35,2 kg
1050 mm FRAZ. B /SECT.B	67,2 kg
1250 mm FRAZ. B /SECT.B	80,0 kg
2050 mm FRAZ. B/SECT.B	131,0 kg
2550 mm FRAZ. B/SECT.B	163,2 kg
3050 mm FRAZ. B/SECT.B	195,2 kg
4050 mm FRAZ. B/SECT.B	259,2 kg

 SPINTA LATERALE
 SHOULDER LOAD

1320

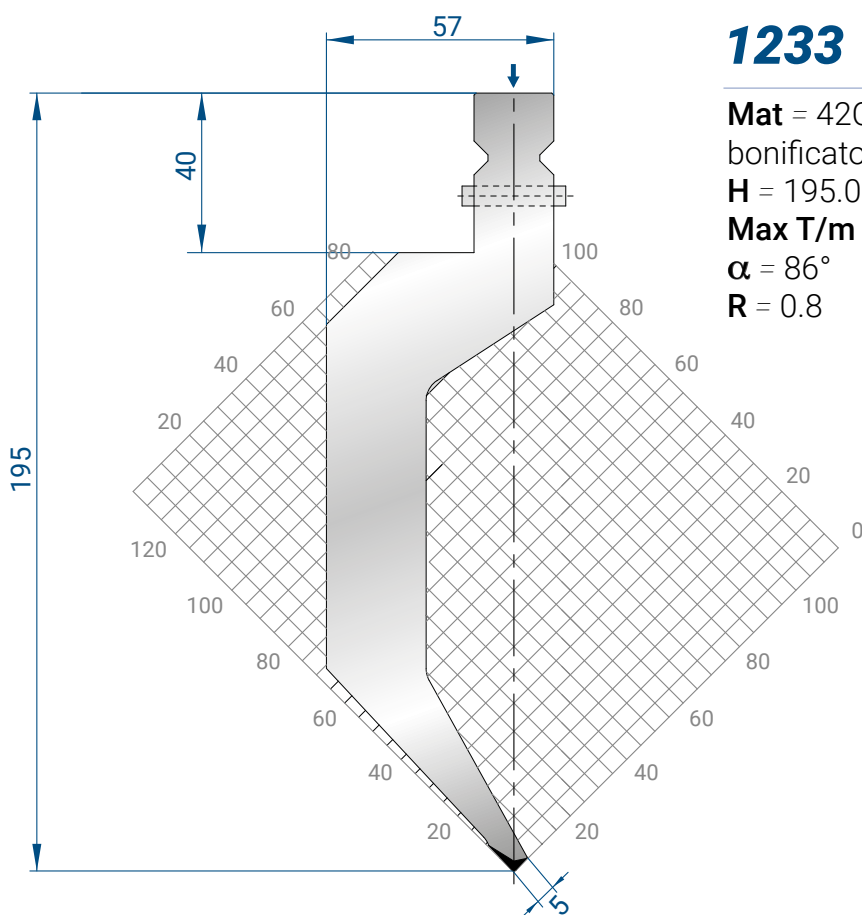


Mat = 42CrMo4
 bonificato / *tempered*
H = 200.00
Max T/m = 100
 α = 86°
R = 1.5

25-30 mm	1,2 kg
35-40	
45-50	
100 mm SCARP. /HORN	2,8 kg
100 mm	3,1 kg
200 mm	6,2 kg
300 mm	9,3 kg
500 mm	15,4 kg
550 mm FRAZ. /SECT.	17,0 kg
1050 mm FRAZ. B /SECT.B	32,5 kg
1250 mm FRAZ. B /SECT. B	38,7 kg
2050 mm FRAZ. B/SECT.B	63,5 kg
2550 mm FRAZ. B /SECT. B	79,0 kg
3050 mm FRAZ. B/SECT.B	94,5 kg
4050 mm FRAZ. B/SECT.B	125,5 kg

↓
 SPINTA IN TESTA
 HEAD LOAD

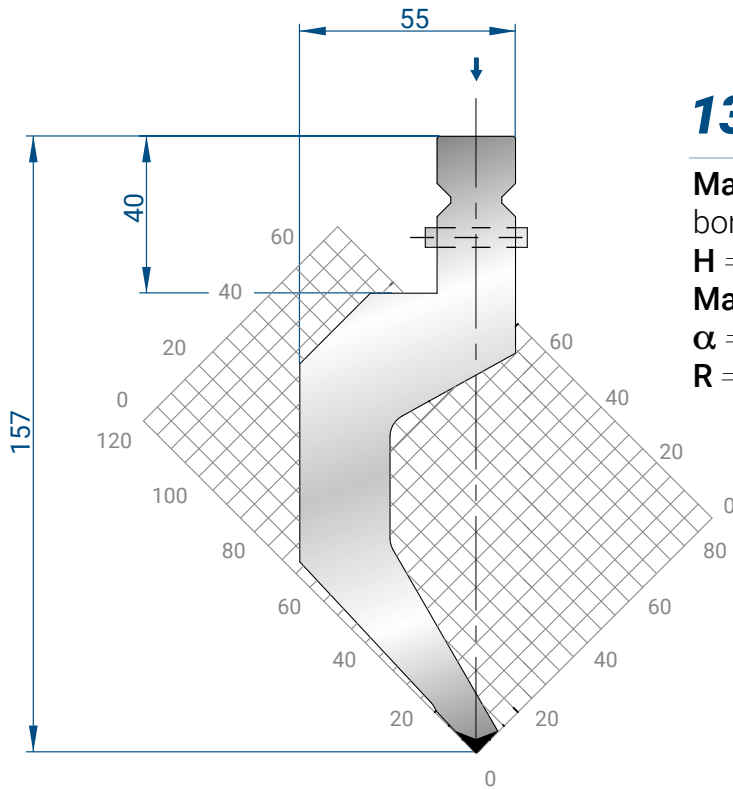
1233



Mat = 42CrMo4
 bonificato / *tempered*
H = 195.00
Max T/m = 40
 α = 86°
R = 0.8

25-30 mm	1,5 kg
35-40	
45-50	
100 mm SCARP. /HORN	3,5 kg
100 mm	3,8 kg
200 mm	7,6 kg
300 mm	11,4 kg
500 mm	19,0 kg
550 mm FRAZ. /SECT	20,9 kg
1050 mm FRAZ. B/SECT. B	39,9 kg
1250 mm FRAZ. B/SECT. B	47,5 kg
2050 mm FRAZ. B/SECT. B	77,9 kg
2550 mm FRAZ. B/SECT. B	96,9 kg
3050 mm FRAZ. B/SECT. B	115,9 kg
4050 mm FRAZ. B/SECT. B	153,9 kg

↓
 SPINTA IN TESTA
 HEAD LOAD

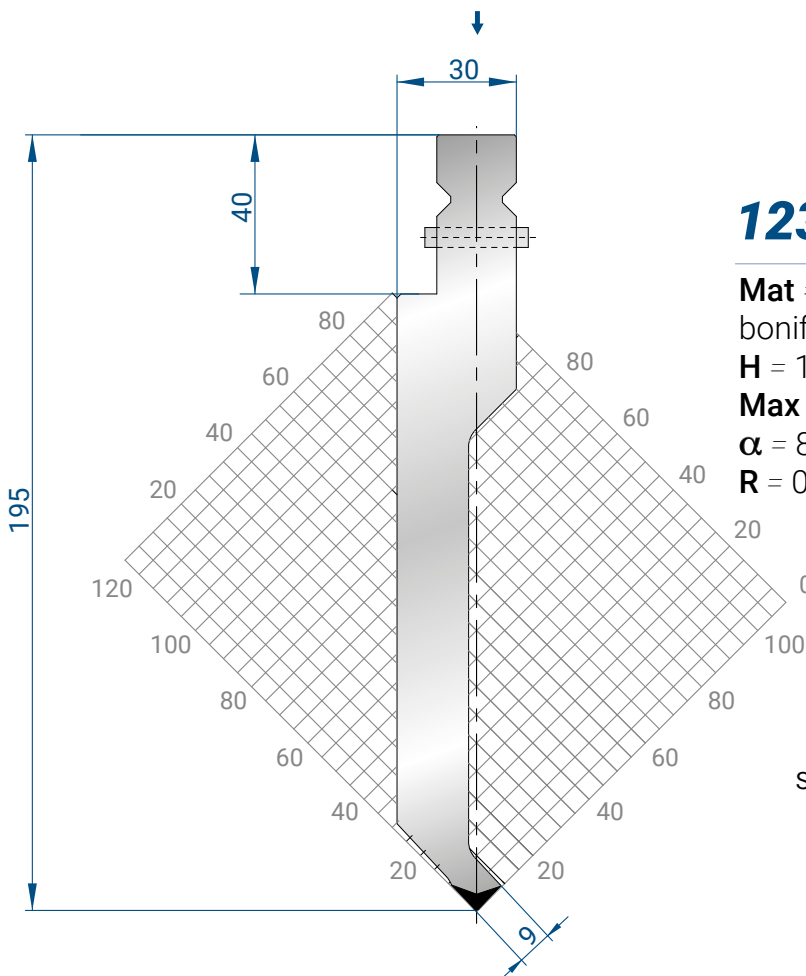


1314

Mat = 42CrMo4
bonificato / *tempered*
H = 157.00
Max T/m = 80
 α = 86°
R = 1

25-30mm	1,2 kg
35-40	
45-50	
100 mm SCARP./HORN	2,5 kg
100 mm	3,0 kg
200 mm	6,0 kg
300 mm	9,0 kg
500 mm	15,0 kg
550 mm FRAZ. / SECT.	16,5 kg
1050 mm FRAZ. B/SECT.B	31,5 kg
1250 mm FRAZ. B/SECT.B	37,5 kg
2550 mm FRAZ. B/SECT.B	76,5 kg
3050 mm FRAZ. B/SECT.B	91,5 kg
4050 mm FRAZ. B/SECT.B	121,5 kg

(↓)
SPINTA IN TESTA
HEAD LOAD

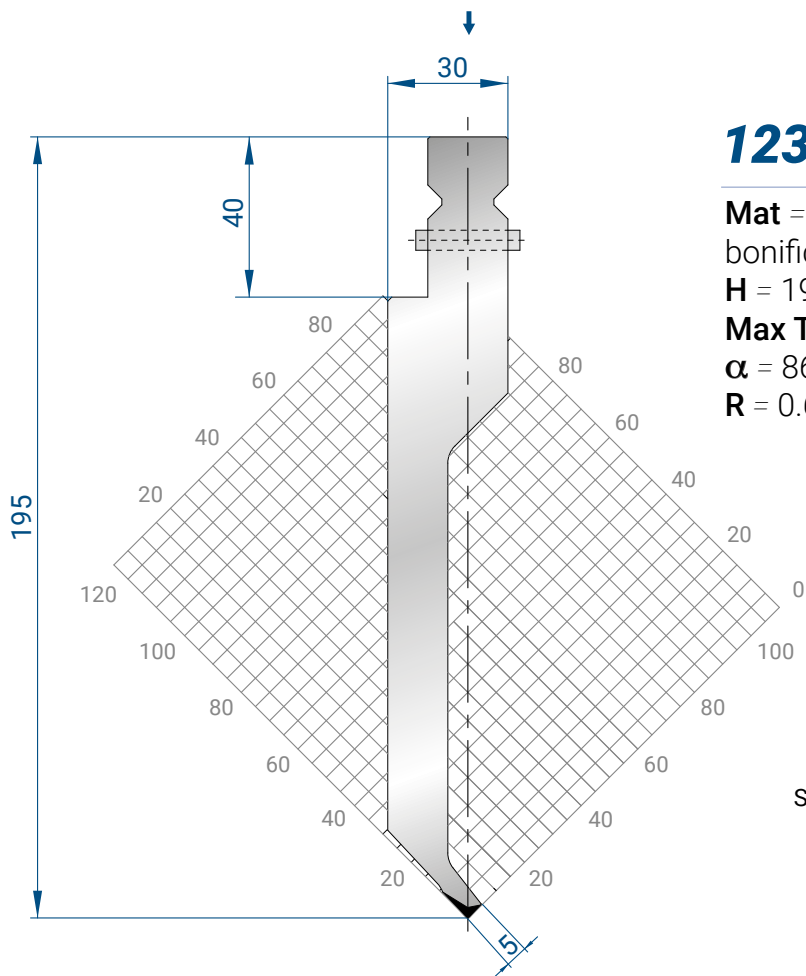


1235

Mat = 42CrMo4
bonificato / *tempered*
H = 195.00
Max T/m = 100
 α = 86°
R = 0.8

25-30 mm	1,2 kg
35-40	
45-50	
100 mm SCARP./HORN	2,7 kg
100 mm	3,0 kg
200 mm	6,0 kg
300 mm	9,0 kg
500 mm	15,0 kg
550 mm FRAZ. / SECT.	16,5 kg
1050 mm FRAZ. B/SECT.B	31,5 kg
1250 mm FRAZ. B/SECT.B	37,5 kg
2050 mm FRAZ. B/SECT.B	61,5 kg
2550 mm FRAZ. B/SECT.B	76,5 kg
3050 mm FRAZ. B/SECT.B	91,5 kg
4050 mm FRAZ. B/SECT.B	121,5 kg

(↓)
SPINTA IN TESTA
HEAD LOAD

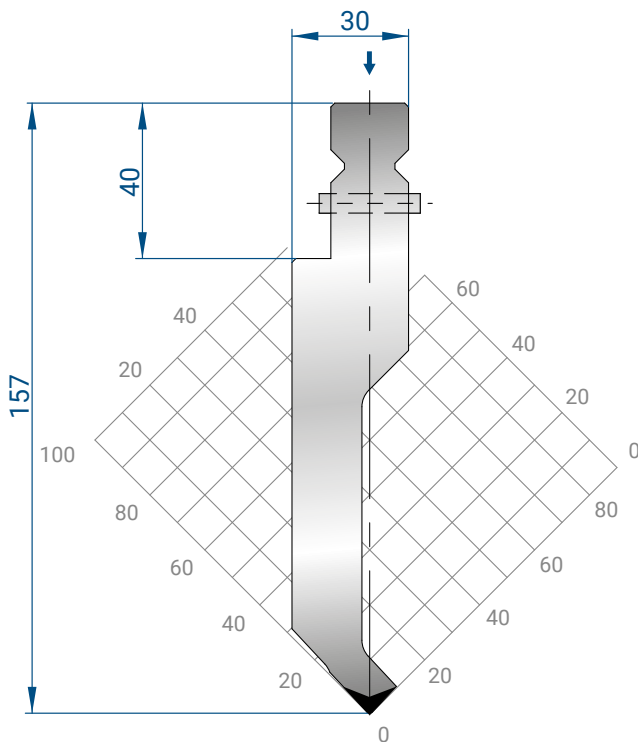


1234

Mat = 42CrMo4
 bonificato / *tempered*
H = 195.00
Max T/m = 30
 α = 86°
R = 0.6

25-30 mm	1,1 kg
35-40	
45-50	
100 mm	2,7 kg
SCARP./HORN	
100 mm	2,9 kg
200 mm	5,8 kg
300 mm	8,7 kg
500 mm	14,5 kg
550 mm	15,9 kg
FRAZ. /SECT	
1050 mm	30,4 kg
FRAZ. B /SECT.B	
1250 mm	36,2 kg
FRAZ. B/SECT. B	
2050 mm	59,4 kg
FRAZ. B /SECT. B	
2550 mm	73,9 kg
FRAZ. B /SECT. B	
3050 mm	88,4 kg
FRAZ. B/SECT. B	
4050 mm	117,4 kg
FRAZ. B/SECT. B	

↓
 SPINTA IN TESTA
 HEAD LOAD

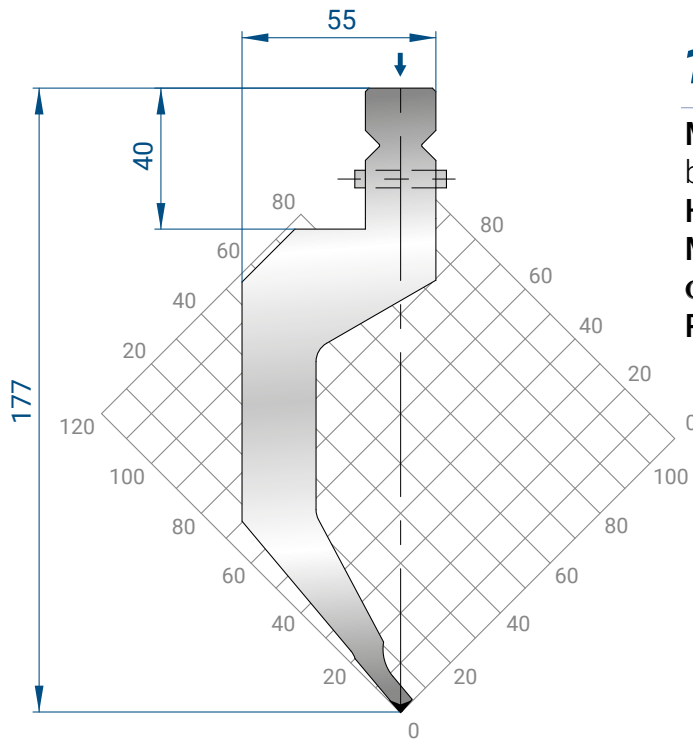


1317

Mat = 42CrMo4
 bonificato / *tempered*
H = 157.00
Max T/m = 100
 α = 86°
R = 1

25-30 mm	1,2 kg
35-40	
45-50	
100 mm	1,8 kg
SCARP./HORN	
100 mm	2,4 kg
200 mm	4,8 kg
300 mm	7,3 kg
500 mm	12,1 kg
550 mm	11,9 kg
FRAZ. /SECT.	
1050 mm	32,5 kg
FRAZ. B /SECT.B	
1250 mm	38,7 kg
FRAZ. B /SECT. B	
2050 mm	63,5 kg
FRAZ. B/SECT.B	
2550 mm	79,0 kg
FRAZ. B /SECT. B	
3050 mm	94,5 kg
FRAZ. B/SECT.B	
4050 mm	125,5 kg
FRAZ. B/SECT.B	

↓
 SPINTA IN TESTA
 HEAD LOAD

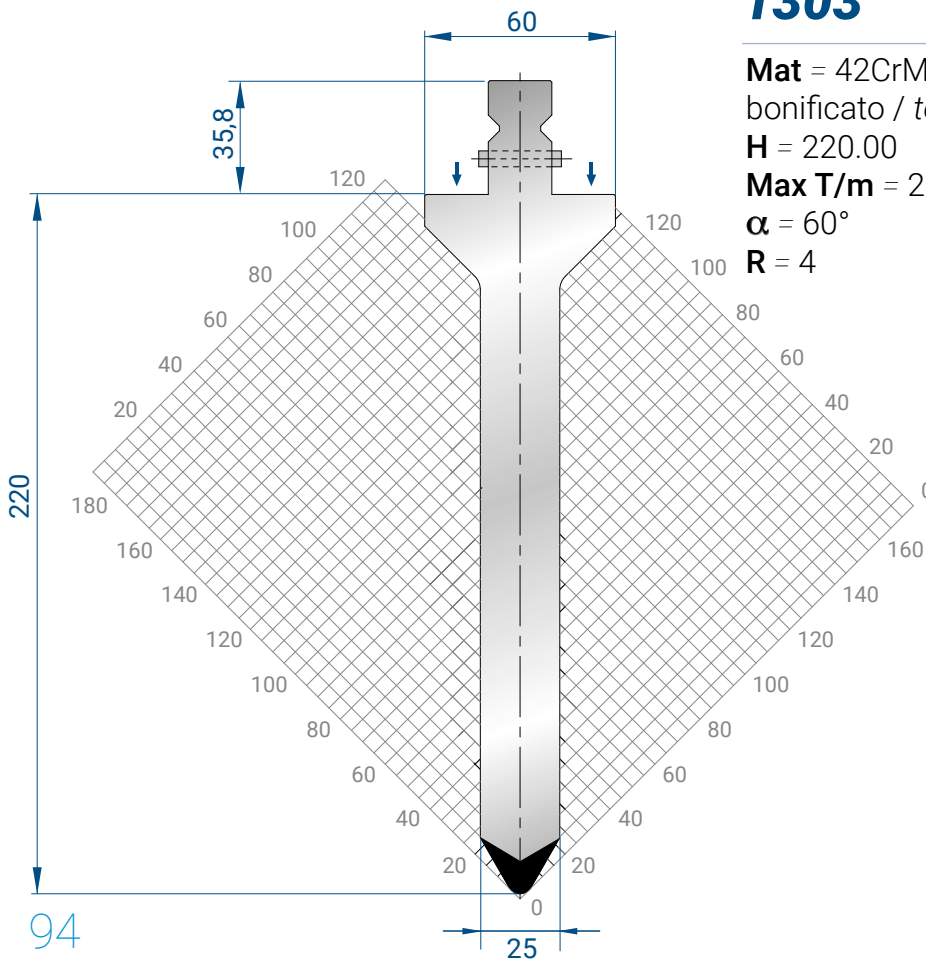


1319

Mat = 42CrMo4
 bonificato / tempered
H = 177.00
Max T/m = 40
 α = 86°
R = 0.5

25-30 mm	1,2 kg
35-40	
45-50	
100 mm	2,9 kg
SCARP. /HORN	
100 mm	3,1 kg
200 mm	6,2 kg
300 mm	9,3 kg
500 mm	15,4 kg
550 mm	17,0 kg
FRAZ. B/SECT. B	
1050 mm	32,5 kg
FRAZ. B/SECT. B	
1250 mm	38,7 kg
FRAZ. B/SECT. B	
2050 mm	63,5 kg
FRAZ. B/SECT. B	
2550 mm	79,0 kg
FRAZ. B/SECT. B	
3050 mm	94,5 kg
FRAZ. B/SECT. B	
4050 mm	125,5 kg
FRAZ. B/SECT. B	

↓
SPINTA IN TESTA
 HEAD LOAD

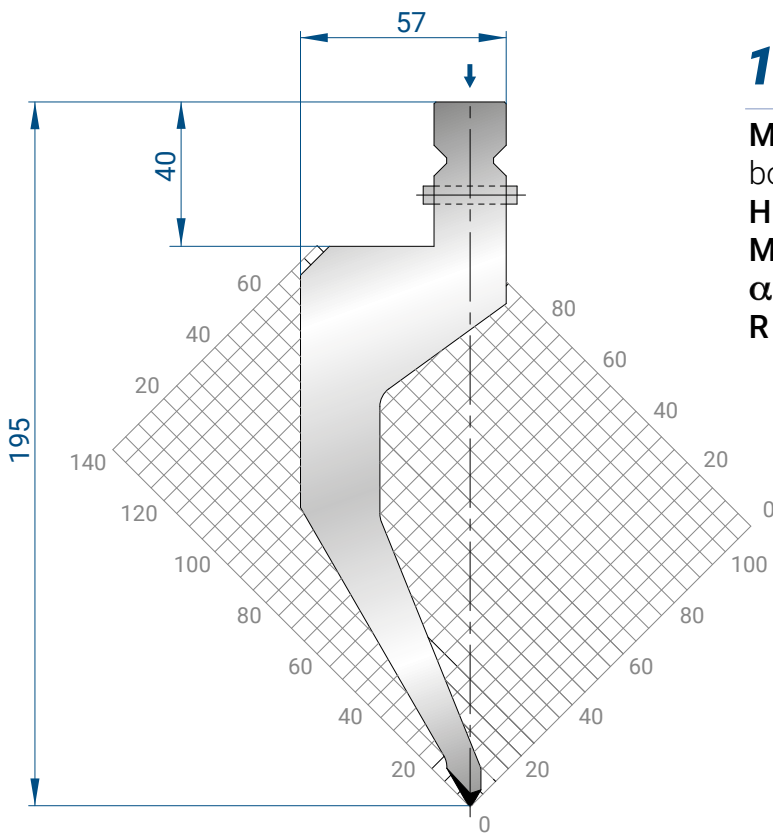


1303

Mat = 42CrMo4
 bonificato / tempered
H = 220.00
Max T/m = 250
 α = 60°
R = 4

25-30 mm	2,0 kg
35-40	
45-50	
100 mm	4,6 kg
100 mm	5,2 kg
200 mm	10,4 kg
300 mm	15,6 kg
500 mm	26,0 kg
550 mm	28,6 kg
FRAZ. /SECT	
1050 mm	54,5 kg
FRAZ. B/SECT.B	
1250 mm	65,0 kg
FRAZ. B/SECT.B	
2050 mm	106,6 kg
FRAZ. B/SECT.B	
2550 mm	132,6 kg
FRAZ. B/SECT.B	
3050 mm	158,6 kg
FRAZ. B/SECT.B	
4050 mm	210,6 kg
FRAZ. B/SECT.B	

↓
SPINTA LATERALE
 SHOULDER LOAD

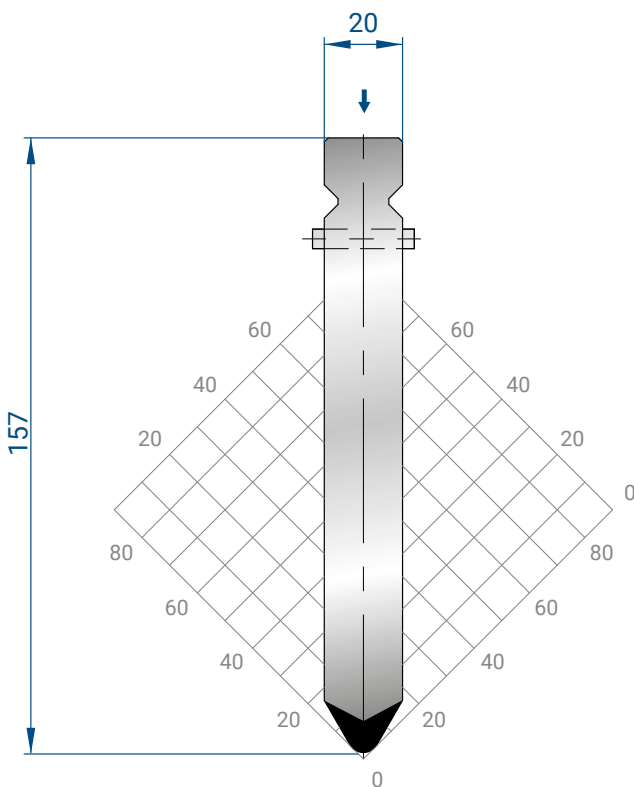


1236

Mat = 42CrMo4
 bonificato / *tempered*
H = 195.00
Max T/m = 40
 α = 60°
R = 0.8

25-35 mm	1,4 kg
35-40	
45-50	
100 mm SCARP./HORN	3,0 kg
100 mm	3,5 kg
200 mm	7,0 kg
300 mm	10,5 kg
500 mm	17,5 kg
550 mm FRAZ./SECT	19,2 kg
1050 mm FRAZ. B /SECT. B	36,7 kg
1250 mm FRAZ. B /SECT. B	43,7 kg
2050 mm FRAZ. B /SECT. B	71,7 kg
2550 mm FRAZ. B /SECT. B	89,2 kg
3050 mm FRAZ. B /SECT. B	106,7 kg
4050 mm FRAZ. B /SECT. B	104,7 kg

↓
 SPINTA IN TESTA
 HEAD LOAD

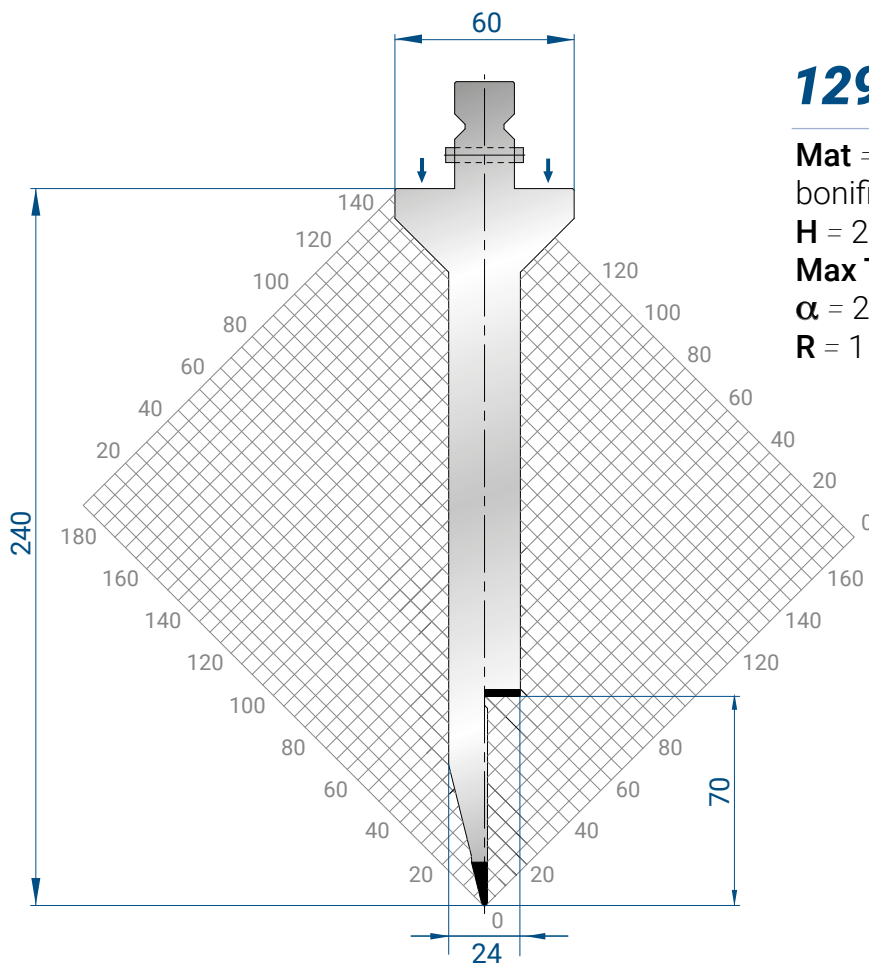


1318

Mat = 42CrMo4
 bonificato / *tempered*
H = 157.00
Max T/m = 180
 α = 60°
R = 4

25-30 mm	1,0 kg
35-40	
45-50	
100 mm SCARP./HORN	2,5 kg
100 mm	2,7 kg
200 mm	5,4 kg
300 mm	8,1 kg
500 mm	13,5 kg
550 mm FRAZ./SECT	14,9 kg
1050 mm FRAZ. B /SECT. B	28,3 kg
1250 mm FRAZ. B /SECT. B	33,7 kg
2050 mm FRAZ. B /SECT. B	55,3 kg
2550 mm FRAZ. B /SECT. B	68,8 kg
3050 mm FRAZ. B /SECT. B	82,3 kg
4050 mm FRAZ. B /SECT. B	109,3 kg

↓
 SPINTA IN TESTA
 HEAD LOAD

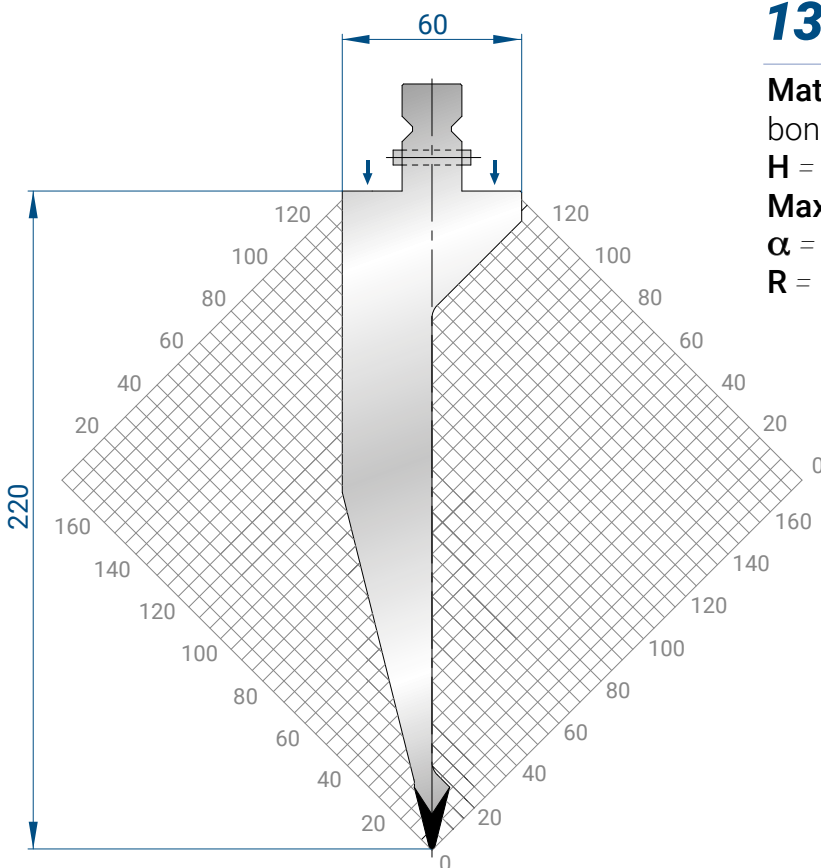


1295

Mat = 42CrMo4
 bonificato / tempered
 H = 240.00
 Max T/m = 40
 $\alpha = 28^\circ$
 R = 1

25-30 mm	1,9 kg
35-40	
45-50	
100 mm	4,0 kg
100 mm	4,8 kg
200 mm	9,5 kg
300 mm	14,3 kg
500 mm	23,8 kg
550 mm FRAZ. /SECT	23,8 kg
1050 mm FRAZ. B/SECT.B	50,4 kg
1250 mm FRAZ. B/SECT.B	60,0 kg
2050 mm FRAZ. B/SECT.B	98,4 kg
2550 mm FRAZ. B/SECT.B	122,4 kg
3050 mm FRAZ. B/SECT.B	146,4 kg
4050 mm FRAZ. B/SECT.B	194,4 kg

↓
 SPINTA LATERALE
 SHOULDER LOAD

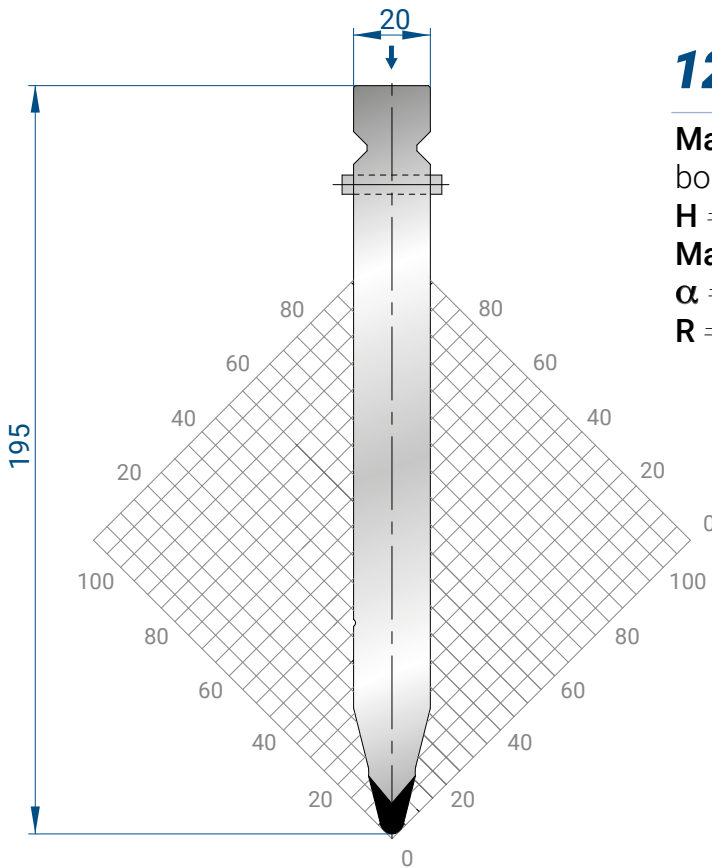


1302

Mat = 42CrMo4
 bonificato / tempered
 H = 220.00
 Max T/m = 80
 $\alpha = 28^\circ$
 R = 1

25-30 mm	2,0 kg
35-40	
45-50	
100 mm SCARP./HORN	4,5 kg
100 mm	5,0 kg
200 mm	10,0 kg
300 mm	15,0 kg
500 mm	25,0 kg
550 mm FRAZ. /SECT.CT.	27,5 kg
1050 mm FRAZ. B/SECT. B	52,5 kg
1250 mm FRAZ. B/SECT. B	62,5 kg
2050 mm FRAZ. B/SECT. B	102,5 kg
2550 mm FRAZ. B/SECT. B	127,5 kg
3050 mm FRAZ. B/SECT. B	152,5 kg
4050 mm FRAZ. B/SECT. B	202,5 kg

↓
 SPINTA LATERALE
 SHOULDER LOAD

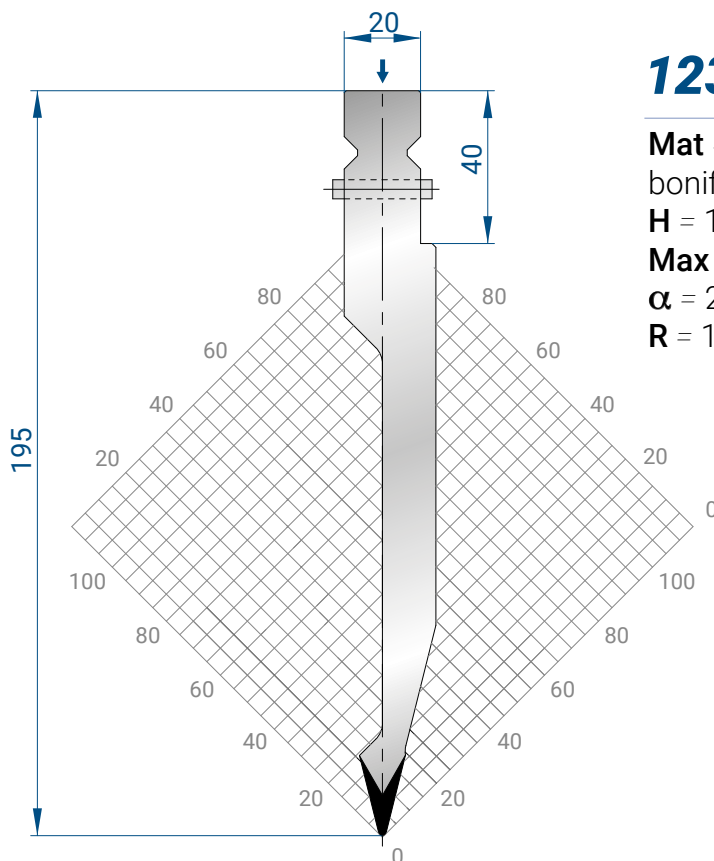


1237

Mat = 42CrMo4
 bonificato / *tempered*
H = 195.00
Max T/m = 100
 α = 28°
R = 3

↓
 SPINTA IN TESTA
 HEAD LOAD

25-30 mm	1,4 kg
35-40	
45-50	
100 mm SCARP. /HORN	2,0 kg
100 mm	2,8 kg
200 mm	5,7 kg
300 mm	8,5 kg
500 mm	14,1 kg
550 mm FRAZ. /SECT.	13,9 kg
1050 mm FRAZ. B/SECT. B	28,1 kg
1250 mm FRAZ. B/SECT. B	33,8 kg
2050 mm FRAZ. B/SECT. B	56,3 kg
2550 mm FRAZ. B/SECT. B	70,4 kg
3050 mm FRAZ. B/SECT. B	84,5 kg
4050 mm FRAZ. B/SECT. B	112,7 kg

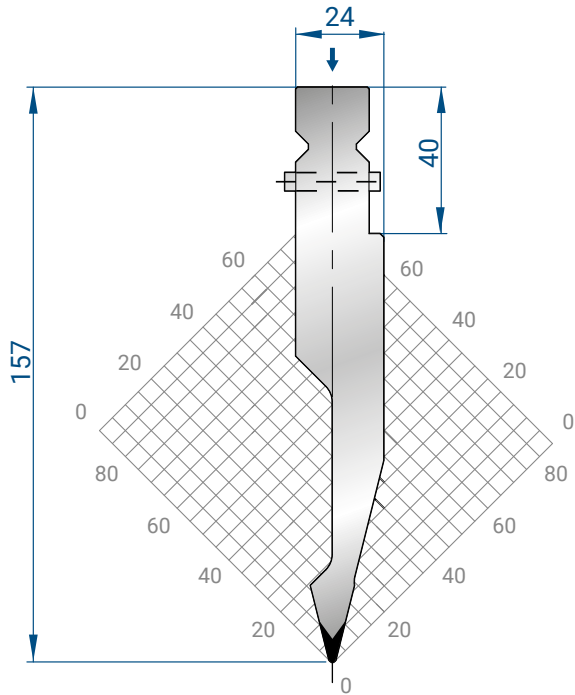


1238

Mat = 42CrMo4
 bonificato / *tempered*
H = 195.00
Max T/m = 80
 α = 28°
R = 1

↓
 SPINTA IN TESTA
 HEAD LOAD

25-30 mm	0,9 kg
35-40	
45-50	
100 mm SCARP. /HORN	1,9 kg
100 mm	2,3 kg
200 mm	4,6 kg
300 mm	6,9 kg
500 mm	11,5 kg
550 mm FRAZ. /SECT.	12,6 kg
1050 mm FRAZ. B/SECT. B	24,1 kg
1250 mm FRAZ. B/SECT. B	28,7 kg
2050 mm FRAZ. B/SECT. B	47,1 kg
2550 mm FRAZ. B/SECT. B	58,6 kg
3050 mm FRAZ. B/SECT. B	70,0 kg
4050 mm FRAZ. B/SECT. B	93,0 kg

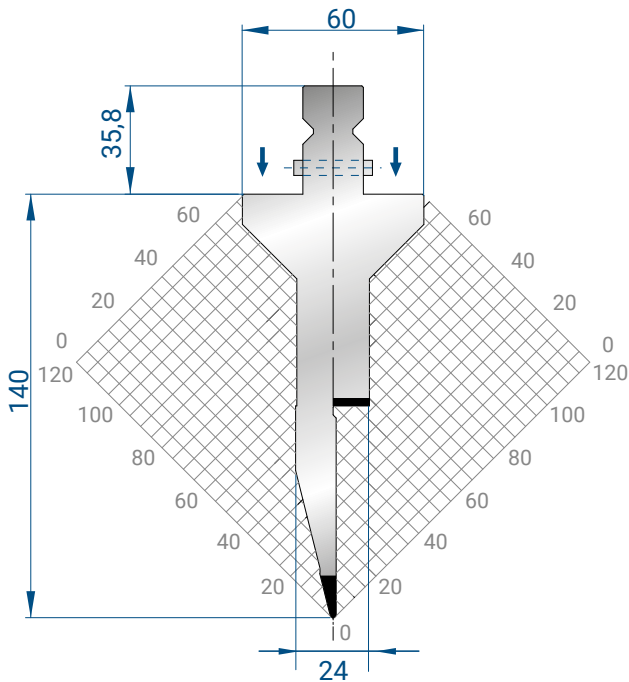


1313

Mat = 42CrMo4
 bonificato / *tempered*
H = 157.00
Max T/m = 80
 α = 28°
R = 1

(↓)
 SPINTA IN TESTA
 HEAD LOAD

25-30 mm	0,8 kg
35-40	
45-50	
100 mm SCARP. /HORN	1,8 kg
100 mm	2,0 kg
200 mm	4,0 kg
300 mm	6,0 kg
500 mm	10,0 kg
550 mm FRAZ. /SECT.	11,0 kg
1050 mm FRAZ. B/SECT. B	21,0 kg
1250 mm FRAZ. B/SECT. B	25,0 kg
2050 mm FRAZ. B/SECT. B	41,0 kg
2550 mm FRAZ. B/SECT. B	51,0 kg
3050 mm FRAZ. B/SECT. B	61,0 kg
4050 mm FRAZ. B/SECT. B	81,0 kg

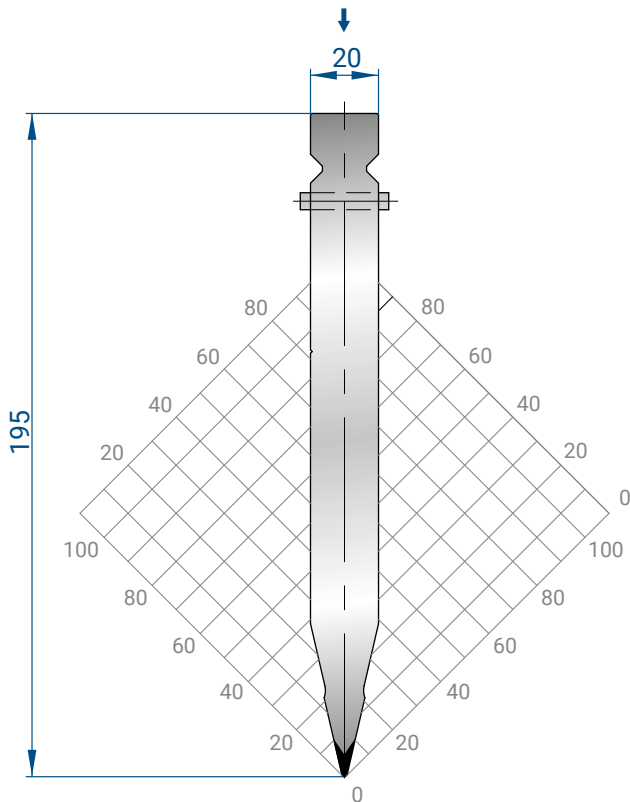


1308

Mat = 42CrMo4
 bonificato / *tempered*
H = 140.00
Max T/m = 40
 α = 28°
R = 1

(↓)
 SPINTA LATERALE
 SHOULDER LOAD

25-30 mm	1,1 kg
35-40	
45-50	
100 mm SCARP. /HORN	2,7 kg
100 mm	2,9 kg
200 mm	5,8 kg
300 mm	8,7 kg
500 mm	14,5 kg
550 mm FRAZ. /SECT.	15,9 kg
1050 mm FRAZ. B/SECT. B	30,4 kg
1250 mm FRAZ. B/SECT. B	36,2 kg
2050 mm FRAZ. B/SECT. B	59,4 kg
2550 mm FRAZ. B/SECT. B	73,4 kg
3050 mm FRAZ. B/SECT. B	88,4 kg
4050 mm FRAZ. B/SECT. B	117,4 kg

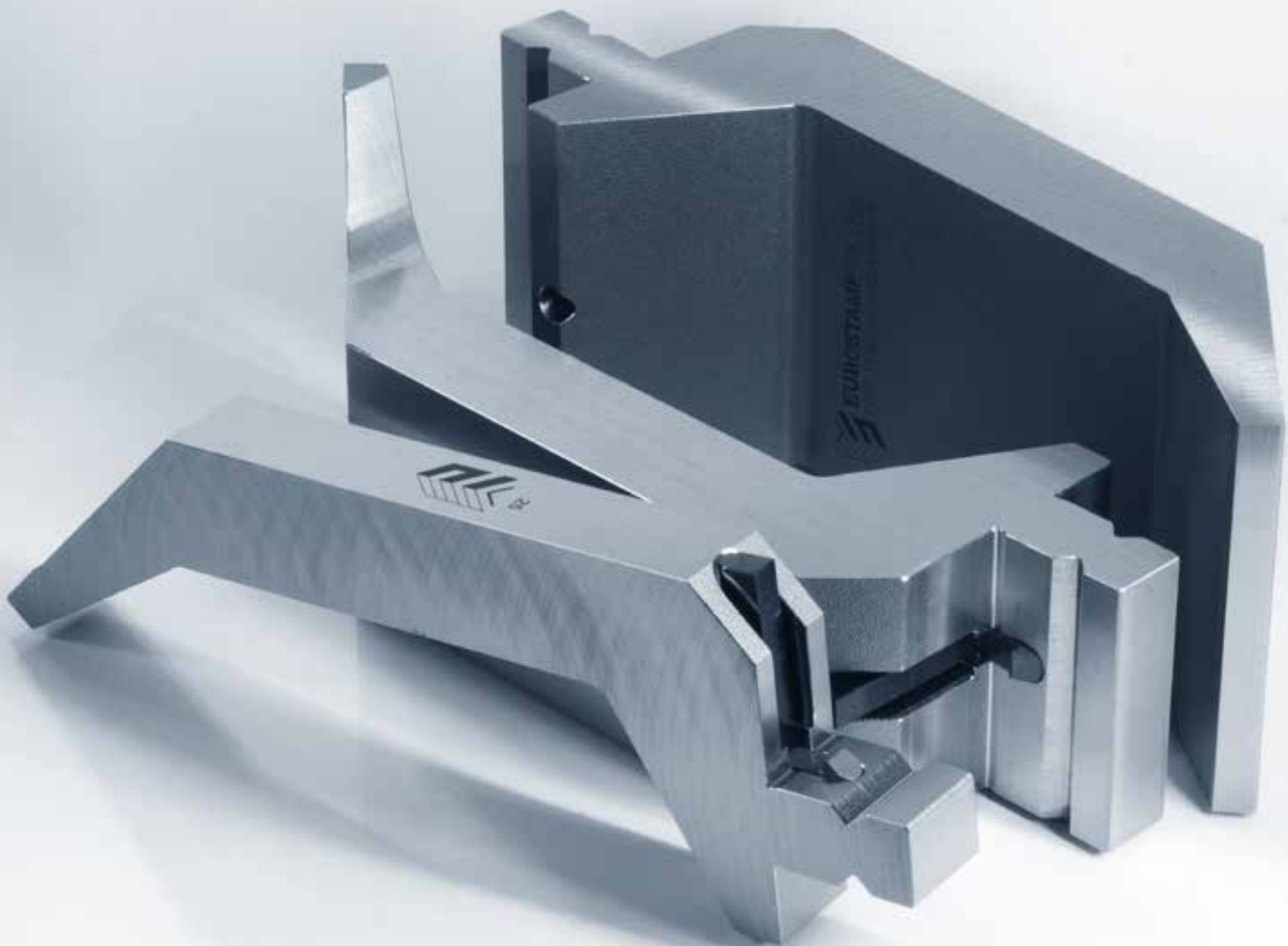


1316

Mat = 42CrMo4
 bonificato / *tempered*
H = 195.00
Max T/m = 100
 α = 26°
R = 0.8

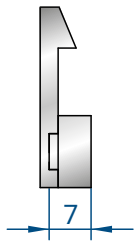
(↓)
 SPINTA IN TESTA
 HEAD LOAD

25-30 mm	1,0 kg
35-40	
45-50	
100 mm SCARP. / HORN	2,5 kg
100 mm	2,7 kg
200 mm	5,4 kg
300 mm	8,1 kg
500 mm	13,5 kg
550 mm FRAZ. / SECT.	14,9 kg
1050 mm FRAZ. B/SECT. B	28,3 kg
1250 mm FRAZ. B/SECT. B	33,7 kg
2050 mm FRAZ. B/SECT. B	55,3 kg
2550 mm FRAZ. B/SECT. B	68,8 kg
3050 mm FRAZ. B/SECT. B	82,3 kg
4050 mm FRAZ. B/SECT. B	109,3 kg



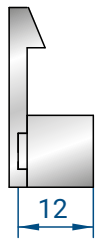
8210

FRESATURA PULSANTE
MILLING FOR SAFETY BUTTON



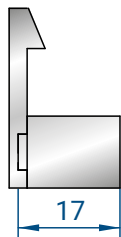
8211

CODICI /
CODES
1237-1240-
1316-1318



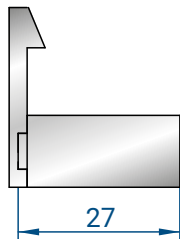
8218

CODICI /
CODES
1238-1249-
1250-1251-
1313



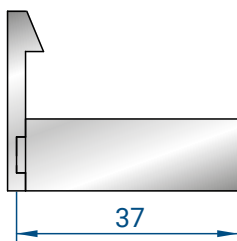
8212

CODICI /
CODES
1234-1235-
1317-4191



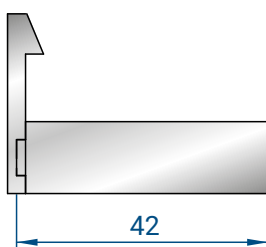
8213

CODICI /
CODES
1295-1302-
1303-1308-
4361



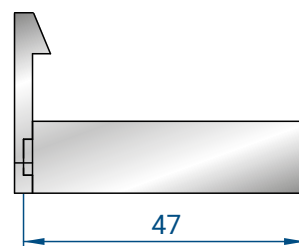
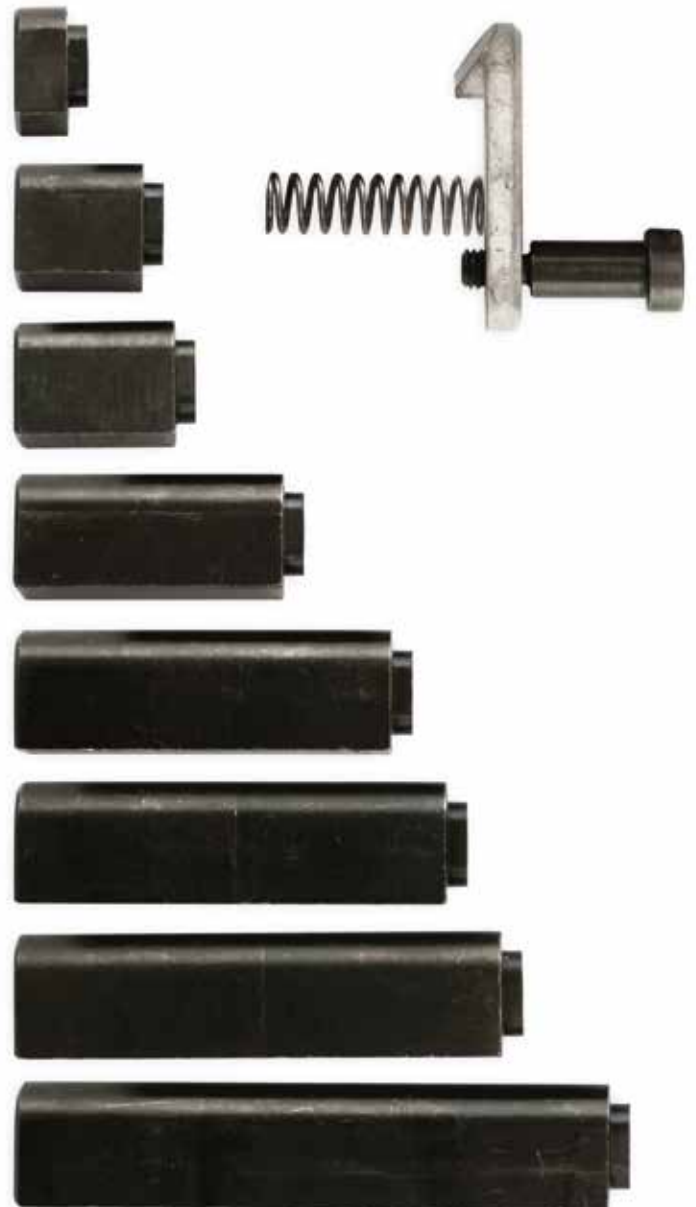
8214

CODICI /
CODES
1233-1314-
1319



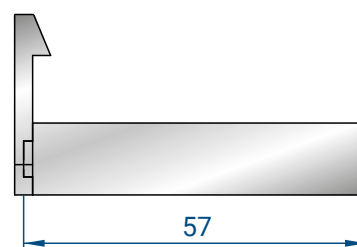
8215

CODICI /
CODES
1236



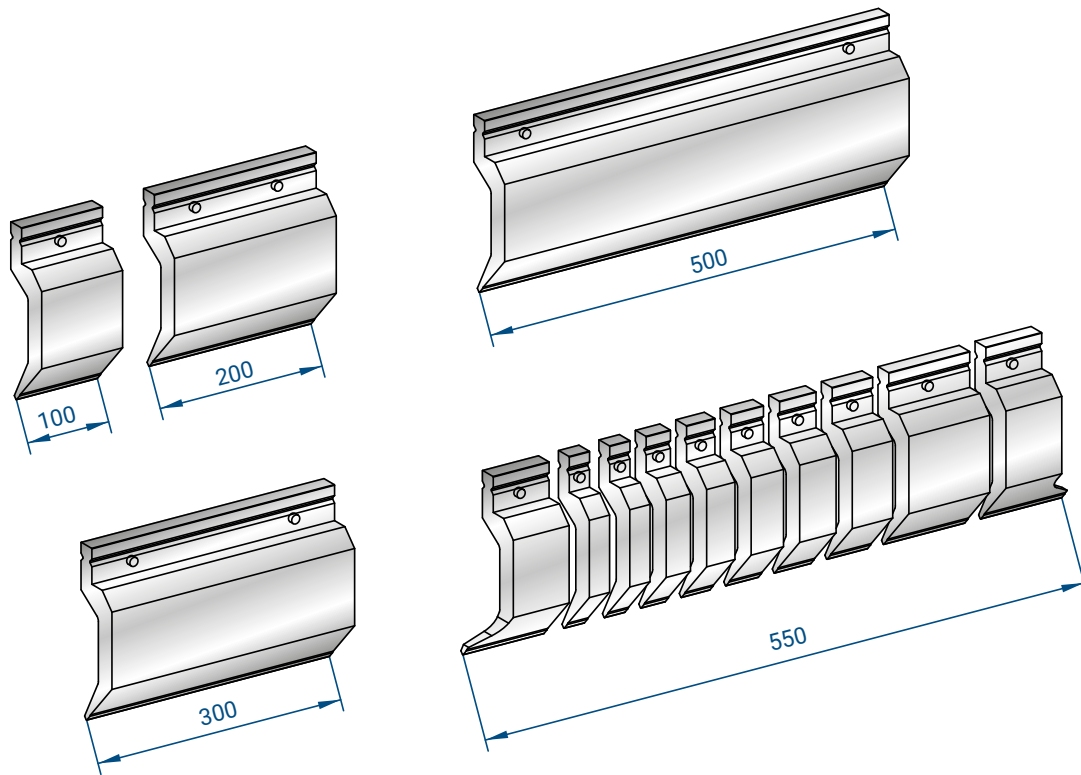
8216

CODICI /
CODES
1294-1320



8219

CODICI /
CODES
1315



TRUMPF STYLE



 **EUROSTAMP TOOLING**
the Italian excellence

3244

A 84°
R 1.6
H 100

V 14
L 200
90 T/m

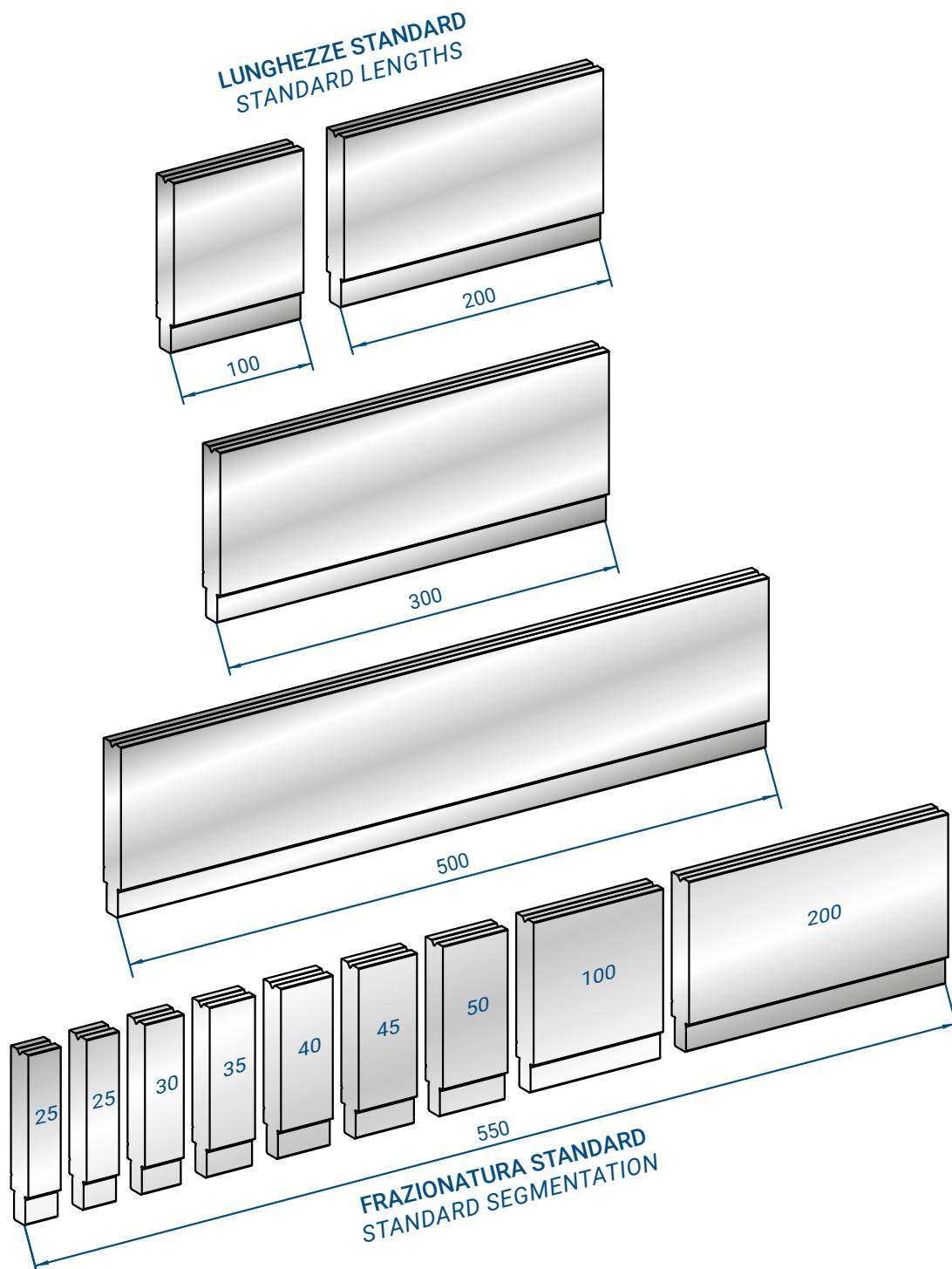
25

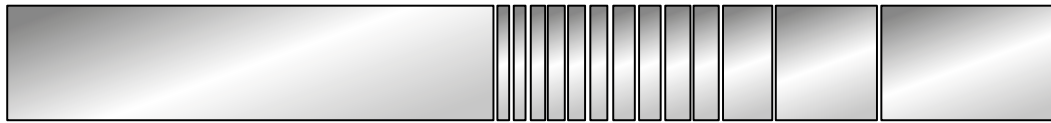


25

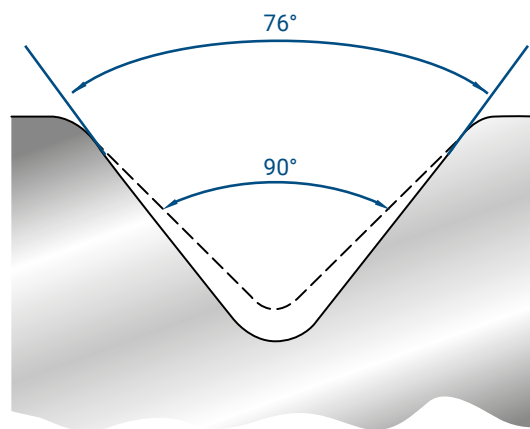
40



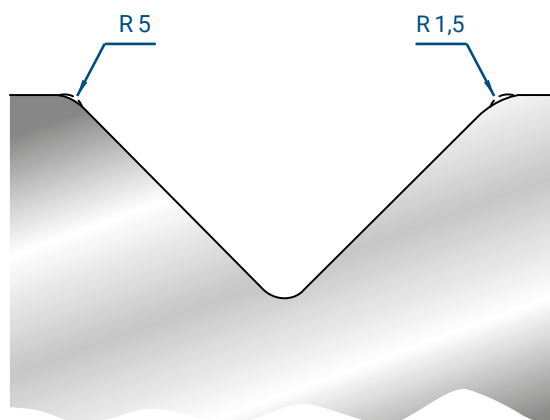




TAGLI SU RICHIESTA
SPECIAL SEGMENTATION



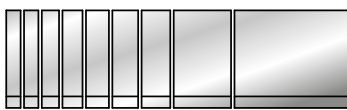
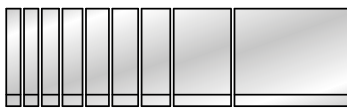


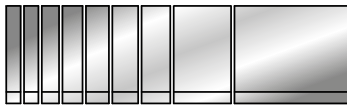
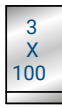
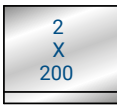
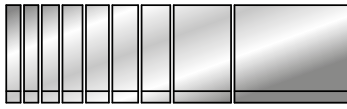
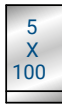

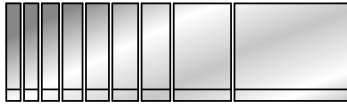
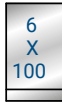
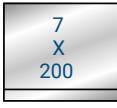
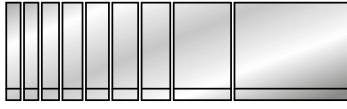
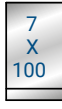
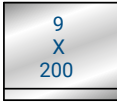
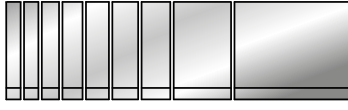

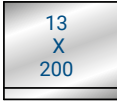
MODIFICA ANGOLO
ANGLE MODIFICATION



MODIFICA RAGGIO
RADIUS MODIFICATION

FRAZIONATURE PER MATRICI MODELLO
SEGMENTATION FOR DIE MODELS

3135 - 3222
3223 - 3224

550			
1050			
1250			
2050			
2550			
3050			
4050			

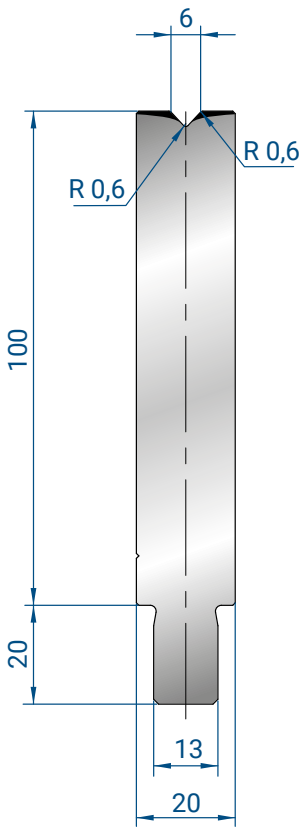
FRAZIONATURE PER MATRICI MODELLO
 SEGMENTATION FOR DIE MODELS

**3218 - 3219 - 3220 -
 3221 - 3132 - 3133 - 3134**

550				
1050				
1250				
2050				
2550				
3050				
4050				

FRAZIONATURE PER TUTTI GLI ALTRI MODELLI
 SEGMENTATION FOR OTHER DIE MODELS

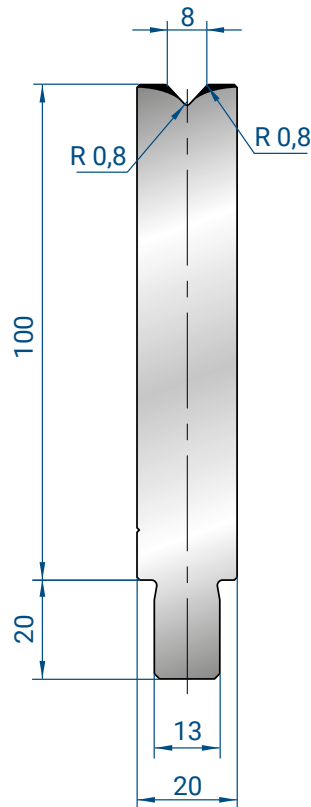
550				
1050				
1250				
2050				
2550				
3050				
4050				



25-30 mm	0,6 kg
35-40	
45-50	
100 mm	1,8 kg
200 mm	3,6 kg
300 mm	5,4 kg
500 mm	8,7 kg
550 mm	9,6 kg
FRAZ. /SECT.	
1050 mm	18,9 kg
FRAZ. B/SECT. B	
1250 mm	22,5 kg
FRAZ. B/SECT. B	
2050 mm	36,9 kg
FRAZ. B/SECT. B	
2550 mm	45,9 kg
FRAZ. B/SECT. B	
3050 mm	54,9 kg
FRAZ. B/SECT. B	
4050 mm	72,9 kg
FRAZ. B/SECT. B	

3200

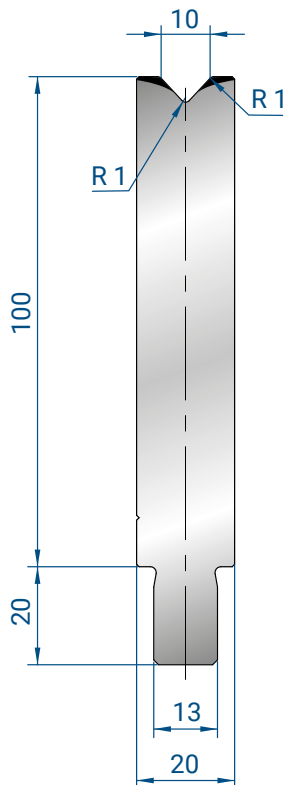
Mat = 42CrMo4
bonificato /
tempered
Max T/m = 100
 $\alpha = 86^\circ$



25-30 mm	0,6 kg
35-40	
45-50	
100 mm	1,8 kg
200 mm	3,6 kg
300 mm	5,4 kg
500 mm	8,7 kg
550 mm	9,6 kg
FRAZ. /SECT.	
1050 mm	18,9 kg
FRAZ. B/SECT. B	
1250 mm	22,5 kg
FRAZ. B/SECT. B	
2050 mm	36,9 kg
FRAZ. B/SECT. B	
2550 mm	45,9 kg
FRAZ. B/SECT. B	
3050 mm	54,9 kg
FRAZ. B/SECT. B	
4050 mm	72,9 kg
FRAZ. B/SECT. B	

3201

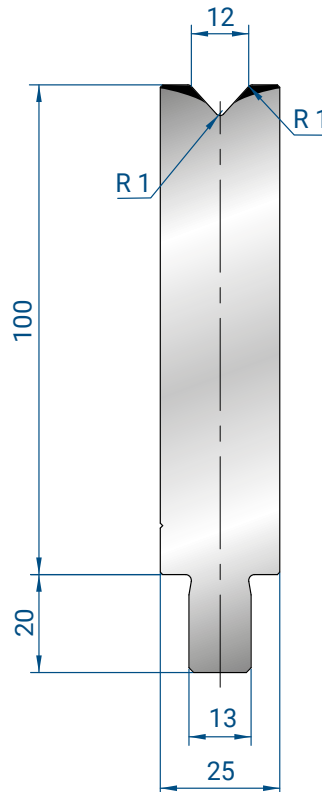
Mat = 42CrMo4
bonificato /
tempered
Max T/m = 100
 $\alpha = 86^\circ$



25-30 mm	0,6 kg
35-40	
45-50	
100 mm	1,8 kg
200 mm	3,6 kg
300 mm	5,4 kg
500 mm	8,7 kg
550 mm	9,6 kg
FRAZ. /SECT.	
1050 mm	18,9 kg
FRAZ. B/SECT. B	
1250 mm	22,5 kg
FRAZ. B/SECT. B	
2050 mm	36,9 kg
FRAZ. B/SECT. B	
2550 mm	45,9 kg
FRAZ. B/SECT. B	
3050 mm	54,9 kg
FRAZ. B/SECT. B	
4050 mm	72,9 kg
FRAZ. B/SECT. B	

3202

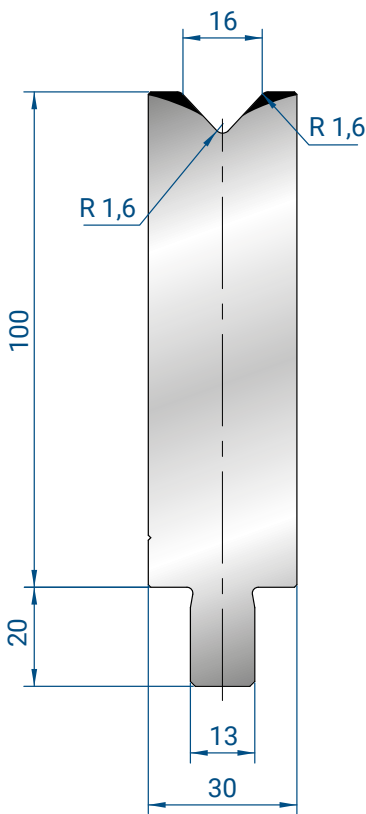
Mat = 42CrMo4
bonificato /
tempered
Max T/m = 100
 $\alpha = 86^\circ$



25-30 mm	0,8 kg
35-40	
45-50	
100 mm	2,0 kg
200 mm	4,1 kg
300 mm	6,2 kg
500 mm	10,2 kg
550 mm	11,3kg
FRAZ. /SECT.	
1050 mm	21,0 kg
FRAZ. B/SECT. B	
1250 mm	25,0 kg
FRAZ. B/SECT. B	
2050 mm	41,0 kg
FRAZ. B/SECT. B	
2550 mm	51,0 kg
FRAZ. B/SECT. B	
3050 mm	61,0 kg
FRAZ. B/SECT. B	
4050 mm	81,0 kg
FRAZ. B/SECT. B	

3203

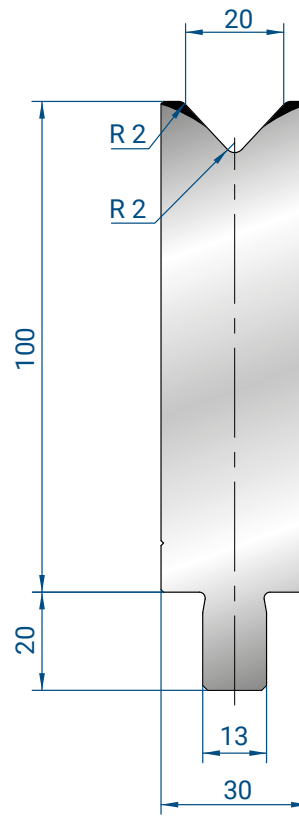
Mat = 42CrMo4
bonificato /
tempered
Max T/m = 100
 $\alpha = 86^\circ$



25-30 mm	1,0 kg
35-40	
45-50	
100 mm	2,5 kg
200 mm	5,0 kg
300 mm	7,5 kg
500 mm	12,5 kg
550 mm	13,8 kg
FRAZ. /SECT.	
1050 mm	26,2 kg
FRAZ. B/SECT. B	
1250 mm	31,2 kg
FRAZ. B/SECT. B	
2050 mm	51,2 kg
FRAZ. B/SECT. B	
2550 mm	63,7 kg
FRAZ. B/SECT. B	
3050 mm	76,2 kg
FRAZ. B/SECT. B	
4050 mm	101,2 kg
FRAZ. B/SECT. B	

3204

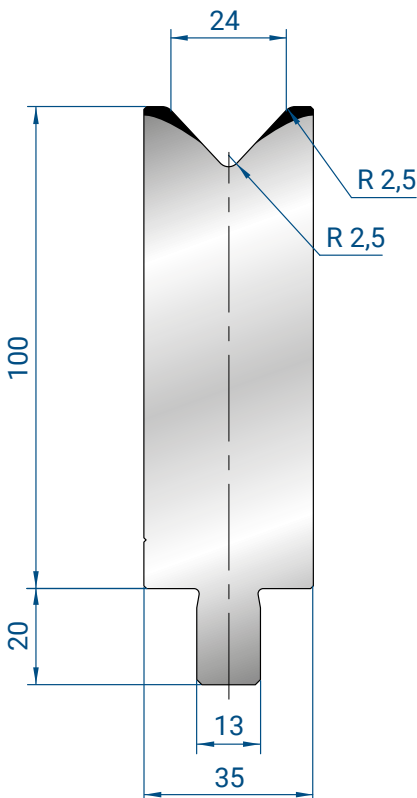
Mat = 42CrMo4
bonificato /
tempered
Max T/m = 100
 $\alpha = 86^\circ$



25-30 mm	1,0 kg
35-40	
45-50	
100 mm	2,5 kg
200 mm	5,0 kg
300 mm	7,5 kg
500 mm	12,5 kg
550 mm	13,8 kg
FRAZ. /SECT.	
1050 mm	26,2 kg
FRAZ. B/SECT. B	
1250 mm	31,2 kg
FRAZ. B/SECT. B	
2050 mm	51,2 kg
FRAZ. B/SECT. B	
2550 mm	63,7 kg
FRAZ. B/SECT. B	
3050 mm	76,2 kg
FRAZ. B/SECT. B	
4050 mm	101,2 kg
FRAZ. B/SECT. B	

3205

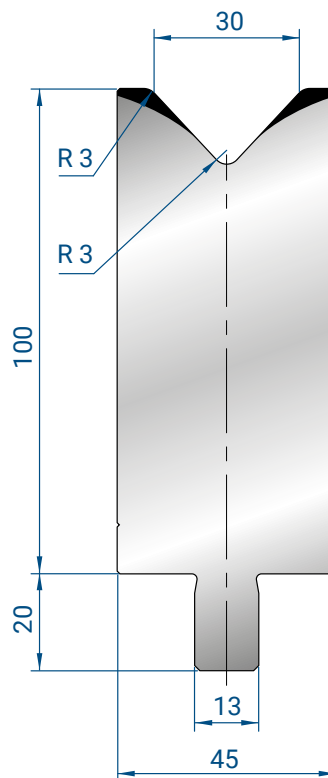
Mat = 42CrMo4
bonificato /
tempered
Max T/m = 100
 $\alpha = 86^\circ$



25-30 mm	1,1 kg
35-40	
45-50	
100 mm	2,8 kg
200 mm	5,6 kg
300 mm	8,4 kg
500 mm	14,0 kg
550 mm	15,4 kg
FRAZ. /SECT.	
1050 mm	29,4 kg
FRAZ. B/SECT. B	
1250 mm	35,0 kg
FRAZ. B/SECT. B	
2050 mm	57,4 kg
FRAZ. B/SECT. B	
2550 mm	71,4 kg
FRAZ. B/SECT. B	
3050 mm	85,4 kg
FRAZ. B/SECT. B	
4050 mm	113,4 kg
FRAZ. B/SECT. B	

3215

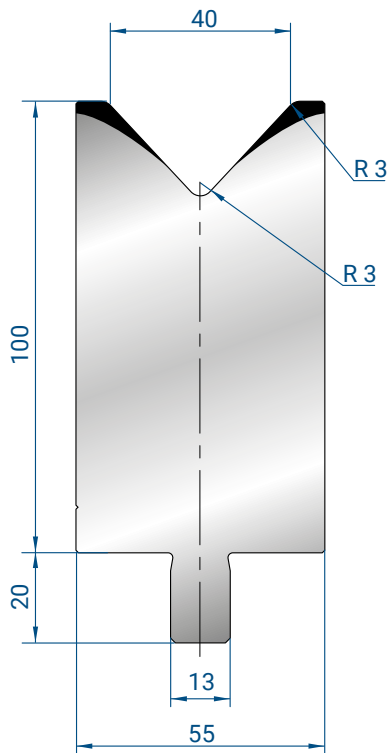
Mat = 42CrMo4
bonificato /
tempered
Max T/m = 100
 $\alpha = 86^\circ$



25-30 mm	1,4 kg
35-40	
45-50	
100 mm	3,5 kg
200 mm	7,0 kg
300 mm	10,5 kg
500 mm	17,5 kg
550 mm	19,3 kg
FRAZ. /SECT.	
1050 mm	36,7 kg
FRAZ. B/SECT. B	
1250 mm	43,7 kg
FRAZ. B/SECT. B	
2050 mm	71,7 kg
FRAZ. B/SECT. B	
2550 mm	89,2 kg
FRAZ. B/SECT. B	
3050 mm	106,7 kg
FRAZ. B/SECT. B	
4050 mm	141,7 kg
FRAZ. B/SECT. B	

3216

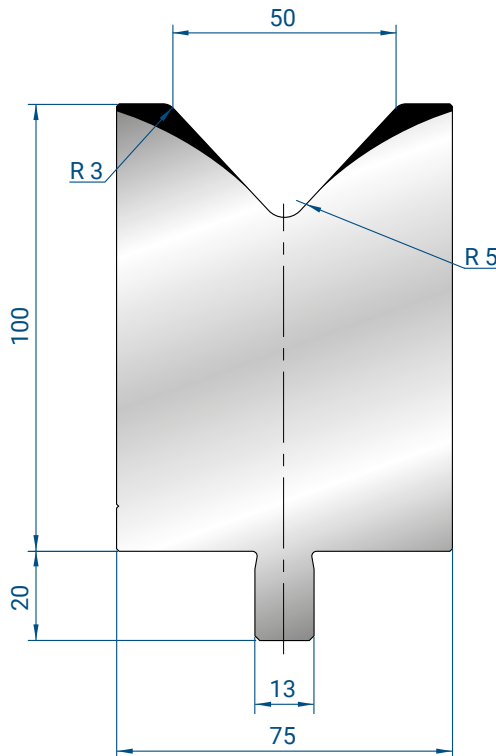
Mat = 42CrMo4
bonificato /
tempered
Max T/m = 100
 $\alpha = 86^\circ$



25-30 mm	1,6 kg
35-40	
45-50	
100 mm	4,0 kg
200 mm	8,0 kg
300 mm	12,0 kg
500 mm	20,0 kg
550 mm FRAZ. /SECT.	22,0 kg
1050 mm FRAZ. B/SECT. B	42,0 kg
1250 mm FRAZ. B/SECT. B	50,0 kg
2050 mm FRAZ. B/SECT. B	82,0 kg
2550 mm FRAZ. B/SECT. B	102,0 kg
3050 mm FRAZ. B/SECT. B	122,0 kg
4050 mm FRAZ. B/SECT. B	162,0 kg

3217

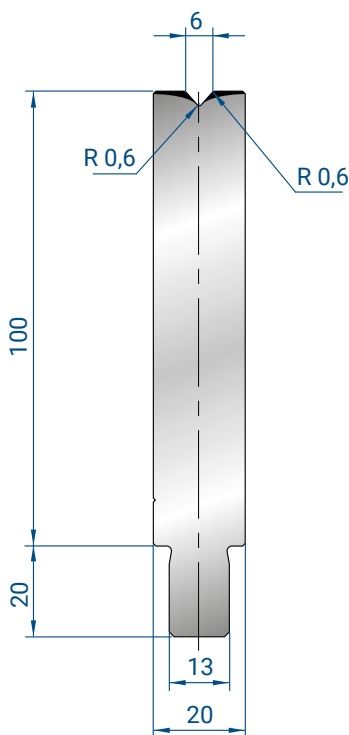
Mat = 42CrMo4
 bonificato /
 tempered
Max T/m = 120
 α = 86°



25-30 mm	2,2 kg
35-40	
45-50	
100 mm	5,5 kg
200 mm	11,0 kg
300 mm	16,5 kg
500 mm	27,5 kg
550 mm FRAZ. /SECT.	30,3 kg
1050 mm FRAZ. B/SECT. B	57,7 kg
1250 mm FRAZ. B/SECT. B	68,7 kg
2050 mm FRAZ. B/SECT. B	112,7 kg
2550 mm FRAZ. B/SECT. B	140,2 kg
3050 mm FRAZ. B/SECT. B	167,7 kg
4050 mm FRAZ. B/SECT. B	222,7 kg

3218

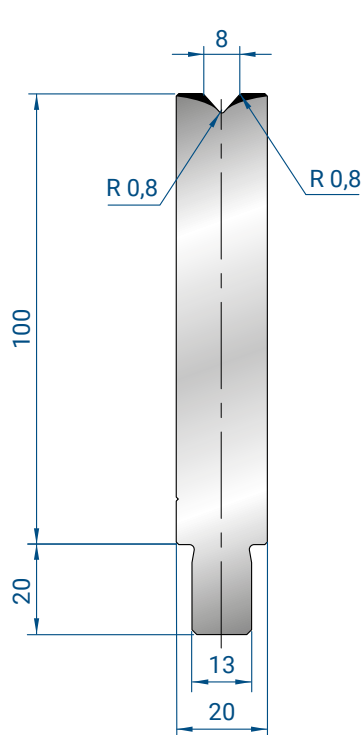
Mat = 42CrMo4
 bonificato /
 tempered
Max T/m = 150
 α = 86°



25-30 mm	0,6 kg
35-40	
45-50	
100 mm	1,8 kg
200 mm	3,6 kg
300 mm	5,4 kg
500 mm	8,7 kg
550 mm FRAZ. /SECT.	9,6 kg
1050 mm FRAZ. B/SECT. B	18,9 kg
1250 mm FRAZ. B/SECT. B	22,5 kg
2050 mm FRAZ. B/SECT. B	36,9 kg
2550 mm FRAZ. B/SECT. B	45,9 kg
3050 mm FRAZ. B/SECT. B	54,9 kg
4050 mm FRAZ. B/SECT. B	72,9 kg

3225

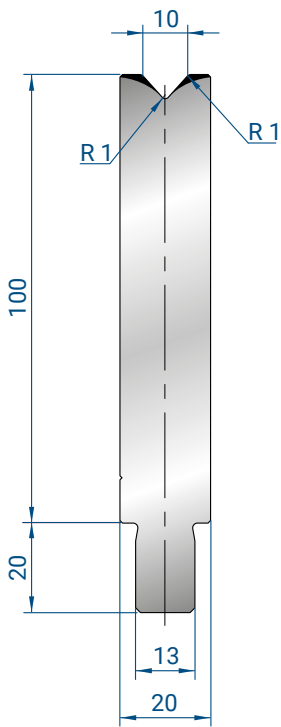
Mat = 42CrMo4
 bonificato /
 tempered
Max T/m = 100
 α = 84°



25-30 mm	0,6 kg
35-40	
45-50	
100 mm	1,8 kg
200 mm	3,6 kg
300 mm	5,4 kg
500 mm	8,7 kg
550 mm FRAZ. /SECT.	9,6 kg
1050 mm FRAZ. B/SECT. B	18,9 kg
1250 mm FRAZ. B/SECT. B	22,5 kg
2050 mm FRAZ. B/SECT. B	36,9 kg
2550 mm FRAZ. B/SECT. B	45,9 kg
3050 mm FRAZ. B/SECT. B	54,9 kg
4050 mm FRAZ. B/SECT. B	72,9 kg

3226

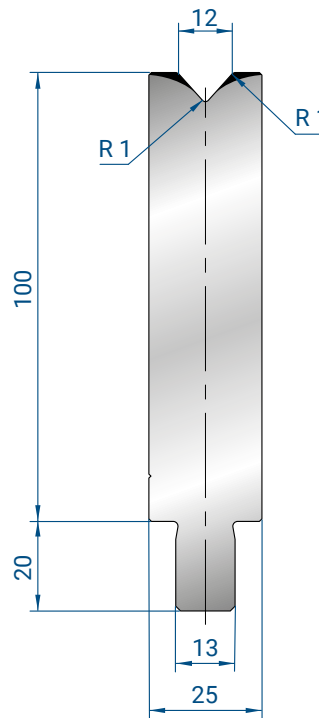
Mat = 42CrMo4
 bonificato /
 tempered
Max T/m = 100
 α = 84°



25-30 mm	0,6 kg
35-40	
45-50	
100 mm	1,8 kg
200 mm	3,6 kg
300 mm	5,4 kg
500 mm	8,7 kg
550 mm	9,6 kg
FRAZ. /SECT.	
1050 mm	18,9 kg
FRAZ. B/SECT. B	
1250 mm	22,5 kg
FRAZ. B/SECT. B	
2050 mm	36,9 kg
FRAZ. B/SECT. B	
2550 mm	45,9 kg
FRAZ. B/SECT. B	
3050 mm	54,9 kg
FRAZ. B/SECT. B	
4050 mm	72,9 kg
FRAZ. B/SECT. B	

3227

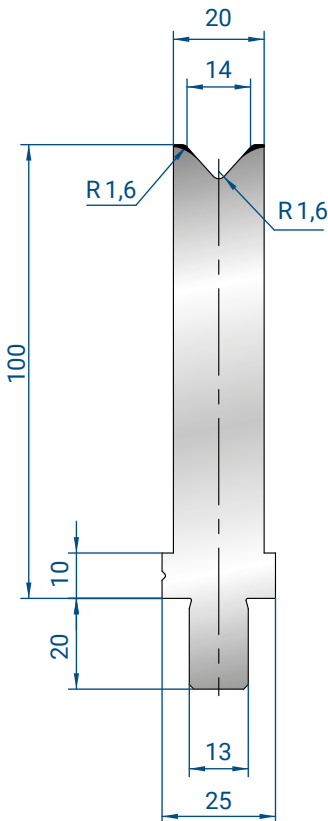
Mat = 42CrMo4
 bonificato /
 tempered
Max T/m = 100
 α = 84°



25-30 mm	0,8 kg
35-40	
45-50	
100 mm	2,0 kg
200 mm	4,1 kg
300 mm	6,2 kg
500 mm	10,2 kg
550 mm	11,3 kg
FRAZ. /SECT.	
1050 mm	21,0 kg
FRAZ. B/SECT. B	
1250 mm	25,0 kg
FRAZ. B/SECT. B	
2050 mm	41,0 kg
FRAZ. B/SECT. B	
2550 mm	51,0 kg
FRAZ. B/SECT. B	
3050 mm	61,0 kg
FRAZ. B/SECT. B	
4050 mm	81,0 kg
FRAZ. B/SECT. B	

3228

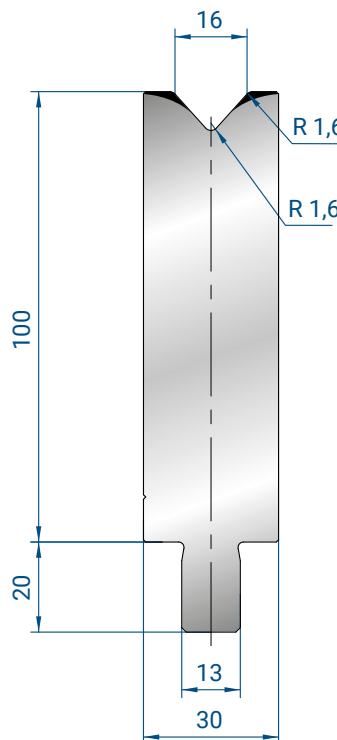
Mat = 42CrMo4
 bonificato /
 tempered
Max T/m = 100
 α = 84°



25-30 mm	0,6 kg
35-40	
45-50	
100 mm	1,8 kg
200 mm	3,5 kg
300 mm	5,3 kg
500 mm	8,8 kg
550 mm	9,7 kg
FRAZ. /SECT.	
1050 mm	17,6 kg
FRAZ. B/SECT. B	
1250 mm	21,1 kg
FRAZ. B/SECT. B	
2050 mm	35,2 kg
FRAZ. B/SECT. B	
2550 mm	35,2 kg
FRAZ. B/SECT. B	
3050 mm	52,8 kg
FRAZ. B/SECT. B	
4050 mm	70,4 kg
FRAZ. B/SECT. B	

3244

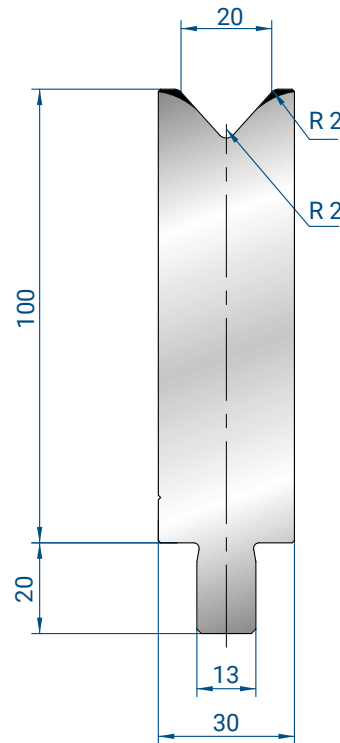
Mat = 42CrMo4
 bonificato /
 tempered
Max T/m = 90
 α = 84°



25-30 mm	1,0 kg
35-40	
45-50	
100 mm	2,5 kg
200 mm	5,0 kg
300 mm	7,5 kg
500 mm	12,5 kg
550 mm	13,8 kg
FRAZ. /SECT.	
1050 mm	26,2 kg
FRAZ. B/SECT. B	
1250 mm	31,2 kg
FRAZ. B/SECT. B	
2050 mm	51,2 kg
FRAZ. B/SECT. B	
2550 mm	63,7 kg
FRAZ. B/SECT. B	
3050 mm	76,2 kg
FRAZ. B/SECT. B	
4050 mm	101,2 kg
FRAZ. B/SECT. B	

3229

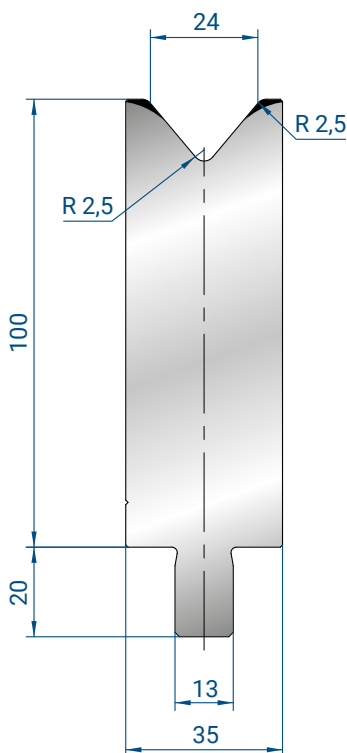
Mat = 42CrMo4
 bonificato /
 tempered
Max T/m = 100
 α = 84°



25-30 mm	1,0 kg
35-40	
45-50	
100 mm	2,5 kg
200 mm	5,0 kg
300 mm	7,5 kg
500 mm	12,5 kg
550 mm FRAZ. /SECT. B	13,8 kg
1050 mm FRAZ. B/SECT. B	26,2 kg
1250 mm FRAZ. B/SECT. B	31,2 kg
2050 mm FRAZ. B/SECT. B	51,2 kg
2550 mm FRAZ. B/SECT. B	63,7 kg
3050 mm FRAZ. B/SECT. B	76,2 kg
4050 mm FRAZ. B/SECT. B	101,2 kg

3230

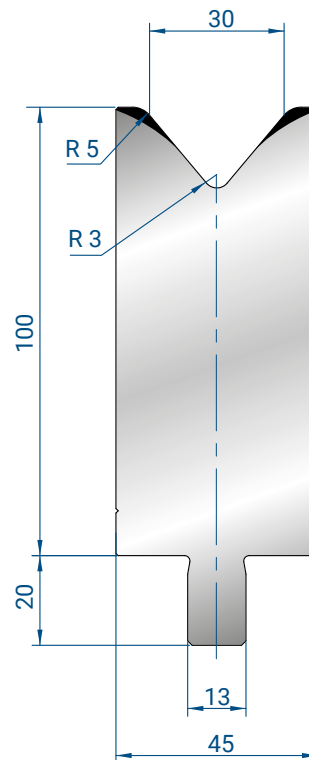
Mat = 42CrMo4
bonificato /
tempered
Max T/m = 100
α = 84°



25-30 mm	1,1 kg
35-40	
45-50	
100 mm	2,8 kg
200 mm	5,6 kg
300 mm	8,4 kg
500 mm	14,0 kg
550 mm FRAZ. /SECT. B	15,4 kg
1050 mm FRAZ. B/SECT. B	29,4 kg
1250 mm FRAZ. B/SECT. B	35,0 kg
2050 mm FRAZ. B/SECT. B	57,4 kg
2550 mm FRAZ. B/SECT. B	71,4 kg
3050 mm FRAZ. B/SECT. B	85,4 kg
4050 mm FRAZ. B/SECT. B	113,4 kg

3231

Mat = 42CrMo4
bonificato /
tempered
Max T/m = 100
α = 80°



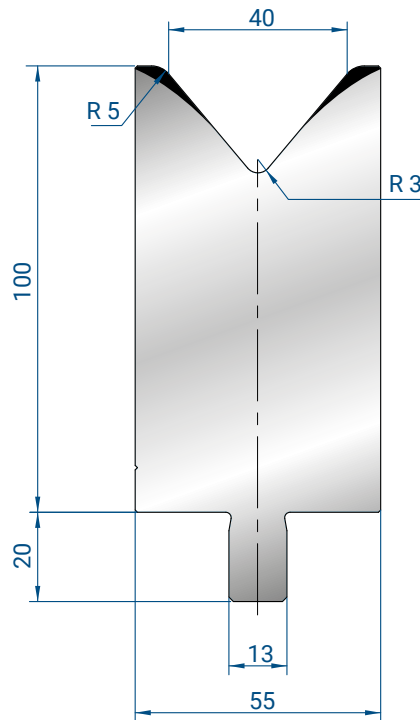
25-30 mm	1,4 kg
35-40	
45-50	
100 mm	3,5 kg
200 mm	7,0 kg
300 mm	10,5 kg
500 mm	17,5 kg
550 mm FRAZ. /SECT. B	19,3 kg
1050 mm FRAZ. B/SECT. B	36,7 kg
1250 mm FRAZ. B/SECT. B	43,7 kg
2050 mm FRAZ. B/SECT. B	71,7 kg
2550 mm FRAZ. B/SECT. B	89,2 kg
3050 mm FRAZ. B/SECT. B	106,7 kg
4050 mm FRAZ. B/SECT. B	141,7 kg

3232

Mat = 42CrMo4
bonificato /
tempered
Max T/m = 120
α = 80°

3233

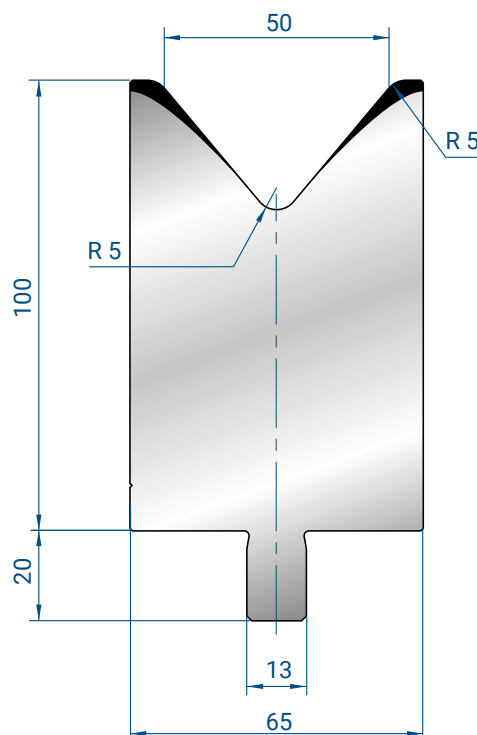
Mat = 42CrMo4
 bonificato /
 tempered
 Max T/m = 150
 $\alpha = 80^\circ$



25-30 mm	1,6 kg
35-40	
45-50	
100 mm	4,1 kg
200 mm	8,2 kg
300 mm	12,3 kg
500 mm	20,6 kg
550 mm FRAZ. /SECT.	22,7 kg
1050 mm FRAZ. B/SECT. B	43,0 kg
1250 mm FRAZ. B/SECT. B	51,2 kg
2050 mm FRAZ. B/SECT. B	84,0 kg
2550 mm FRAZ. B/SECT. B	104,5 kg
3050 mm FRAZ. B/SECT. B	125,0 kg
4050 mm FRAZ. B/SECT. B	166,0 kg

3234

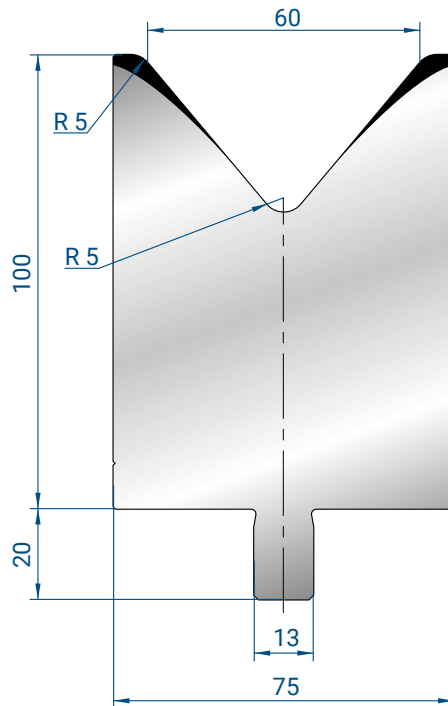
Mat = 42CrMo4
 bonificato /
 tempered
 Max T/m = 150
 $\alpha = 80^\circ$



25-30 mm	1,8 kg
35-40	
45-50	
100 mm	4,6 kg
200 mm	9,2 kg
300 mm	13,8 kg
500 mm	23,0 kg
550 mm FRAZ. /SECT.	25,3 kg
1050 mm FRAZ. B/SECT. B	48,3 kg
1250 mm FRAZ. B/SECT. B	57,5 kg
2050 mm FRAZ. B/SECT. B	94,3 kg
2550 mm FRAZ. B/SECT. B	117,3 kg
3050 mm FRAZ. B/SECT. B	140,3 kg
4050 mm FRAZ. B/SECT. B	186,3 kg

3219

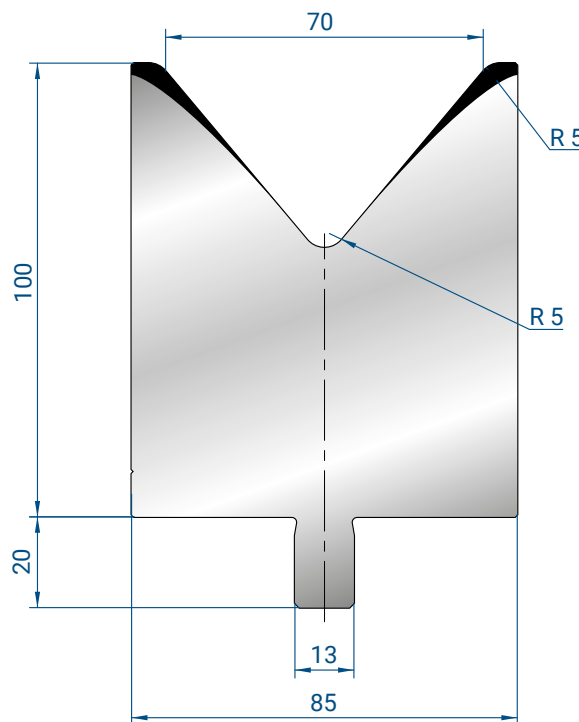
Mat = 42CrMo4
 bonificato /
 tempered
Max T/m = 150
 $\alpha = 80^\circ$



25-30 mm	2,0 kg
35-40	
45-50	
100 mm	5,2 kg
200 mm	10,4 kg
300 mm	15,6 kg
500 mm	26,0 kg
550 mm FRAZ. /SECT.	28,6 kg
1050 mm FRAZ. B/SECT. B	54,6 kg
1250 mm FRAZ. B/SECT. B	65,0kg
2050 mm FRAZ. B/SECT. B	106,6 kg
2550 mm FRAZ. B/SECT. B	132,6 kg
3050 mm FRAZ. B/SECT. B	158,6 kg
4050 mm FRAZ. B/SECT. B	210,6 kg

3220

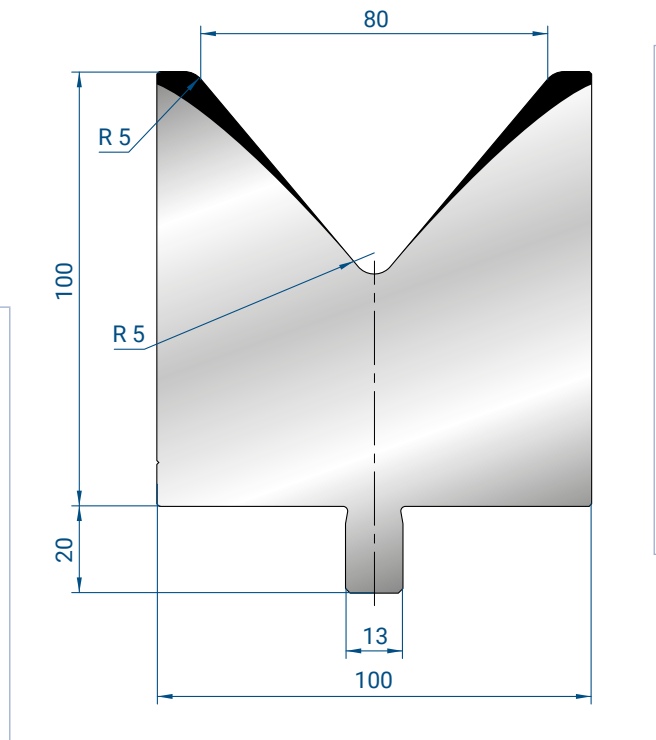
Mat = 42CrMo4
 bonificato /
 tempered
Max T/m = 150
 $\alpha = 80^\circ$



25-30 mm	2,2 kg
35-40	
45-50	
100 mm	5,6 kg
200 mm	11,2 kg
300 mm	16,8 kg
550 mm FRAZ. /SECT.	28,0 kg
1050 mm FRAZ. B/SECT. B	58,8 kg
1250 mm FRAZ. B/SECT. B	70,0 kg
2050 mm FRAZ. B/SECT. B	114,8 kg
2550 mm FRAZ. B/SECT. B	142,8 kg
3050 mm FRAZ. B/SECT. B	170,8 kg
4050 mm FRAZ. B/SECT. B	226,8 kg

3221

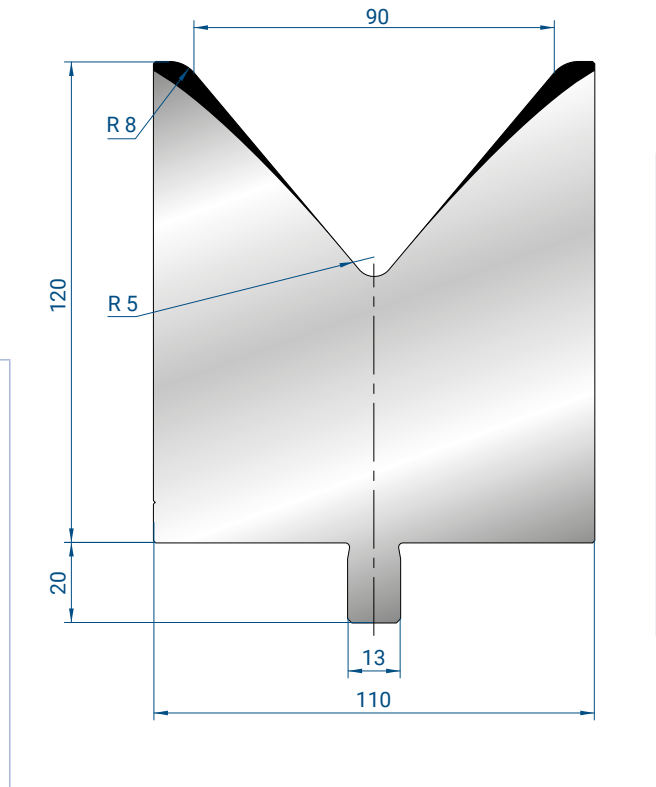
Mat = 42CrMo4
 bonificato /
 tempered
Max T/m = 150
 $\alpha = 80^\circ$



25-30 mm	2,5 kg
35-40	
45-50	
100 mm	6,4 kg
200 mm	12,8 kg
300 mm	19,2 kg
550 mm FRAZ. /SECT.	35,2 kg
1050 mm	67,2 kg
1250 mm FRAZ. B/SECT. B	80,0 kg
2050 mm FRAZ. B/SECT. B	131,2 kg
2550 mm FRAZ. B/SECT. B	163,2 kg
3050 mm FRAZ. B/SECT. B	195,2 kg
4050 mm FRAZ. B/SECT. B	259,2 kg

3222

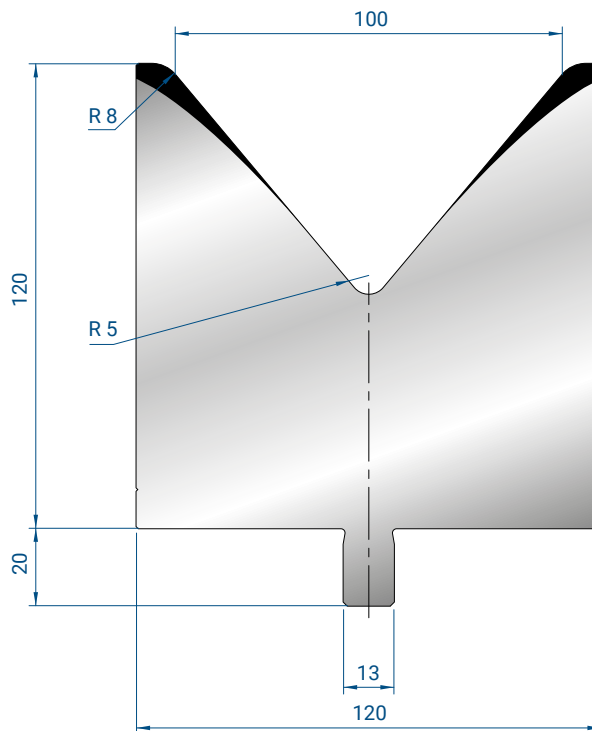
Mat = 42CrMo4
 bonificato /
 tempered
Max T/m = 150
 $\alpha = 80^\circ$



25-30 mm	3,4 kg
35-40	
45-50	
100 mm	8,5 kg
200 mm	17,0 kg
550 mm FRAZ. /SECT.	46,7 kg
1050 mm	89,2 kg
1250 mm FRAZ. B/SECT. B	106,2 kg
2050 mm FRAZ. B/SECT. B	174,2 kg
2550 mm FRAZ. B/SECT. B	216,7 kg
3050 mm FRAZ. B/SECT. B	259,2 kg
4050 mm FRAZ. B/SECT. B	344,2 kg

3223

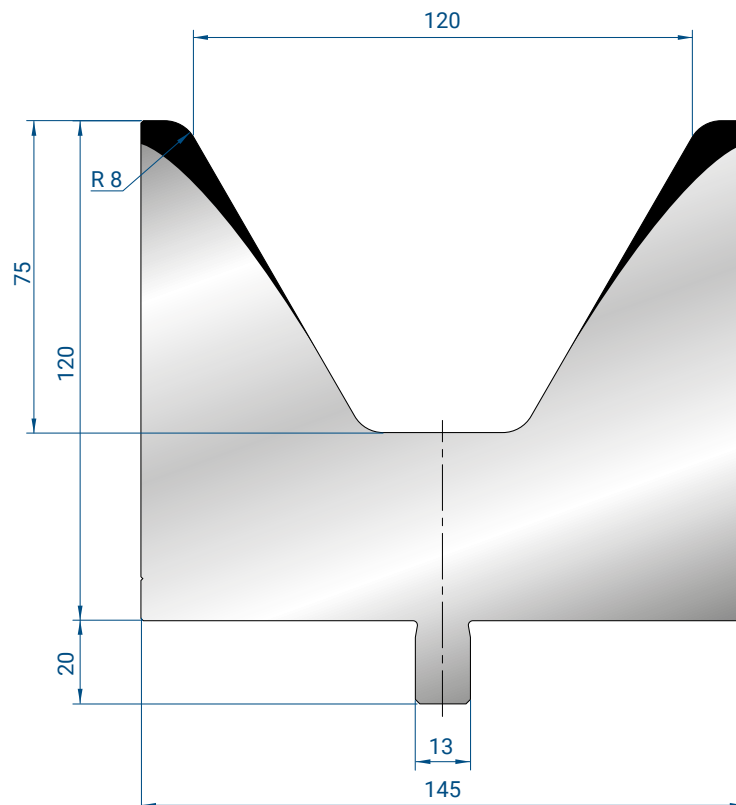
Mat = 42CrMo4
 bonificato /
 tempered
Max T/m = 150
 $\alpha = 80^\circ$



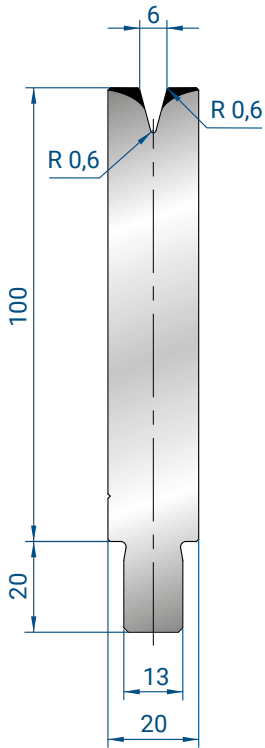
25-30 mm	3,5 kg
35-40	
45-50	
100 mm	8,9 kg
200 mm	17,8 kg
550 mm FRAZ. /SECT.	48,9 kg
1050 mm	93,4 kg
1250 mm FRAZ. B/SECT. B	111,2 kg
2050 mm FRAZ. B/SECT. B	182,4 kg
2550 mm FRAZ. B/SECT. B	226,9 kg
3050 mm FRAZ. B/SECT. B	271,4 kg
4050 mm FRAZ. B/SECT. B	360,4 kg

3224

Mat = 42CrMo4
 bonificato /
 tempered
Max T/m = 160
 $\alpha = 60^\circ$



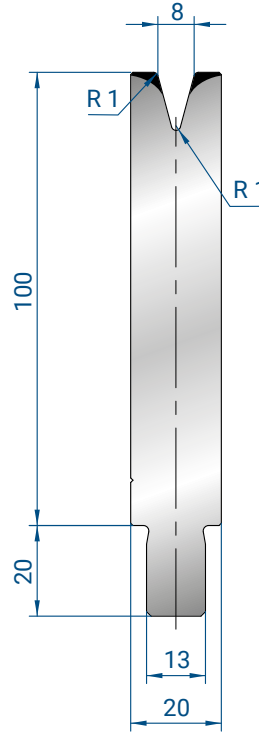
25-30 mm	3,6 kg
35-40	
45-50	
100 mm	9,1 kg
200 mm	18,2 kg
550 mm FRAZ. /SECT.	50,0 kg
1050 mm	95,5 kg
1250 mm FRAZ. B/SECT. B	113,7 kg
2050 mm FRAZ. B/SECT. B	186,5 kg
2550 mm FRAZ. B/SECT. B	232,9 kg
3050 mm FRAZ. B/SECT. B	277,5 kg
4050 mm FRAZ. B/SECT. B	368,5 kg



25-30 mm	0,6 kg
35-40	
45-50	
100 mm	1,8 kg
200 mm	3,6 kg
300 mm	5,4 kg
500 mm	8,7 kg
550 mm	9,6 kg
FRAZ. /SECT.	
1050 mm	18,9 kg
FRAZ. B/SECT. B	
1250 mm	22,5 kg
FRAZ. B/SECT. B	
2050 mm	36,9 kg
FRAZ. B/SECT. B	
2550 mm	45,9 kg
FRAZ. B/SECT. B	
3050 mm	54,9 kg
FRAZ. B/SECT. B	
4050 mm	72,9 kg
FRAZ. B/SECT. B	

3206

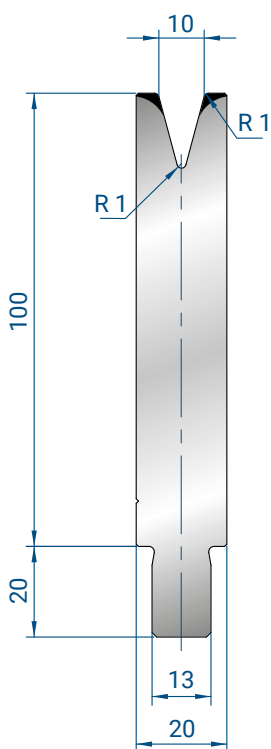
Mat = 42CrMo4
bonificato /
tempered
Max T/m = 60
 $\alpha = 30^\circ$



25-30 mm	0,6 kg
35-40	
45-50	
100 mm	1,7 kg
200 mm	3,4 kg
300 mm	5,1 kg
500 mm	8,6 kg
550 mm	9,5 kg
FRAZ. /SECT.	
1050 mm	17,8 kg
FRAZ. B/SECT. B	
1250 mm	21,2 kg
FRAZ. B/SECT. B	
2050 mm	34,8 kg
FRAZ. B/SECT. B	
2550 mm	43,3 kg
FRAZ. B/SECT. B	
3050 mm	51,8 kg
FRAZ. B/SECT. B	
4050 mm	68,8 kg
FRAZ. B/SECT. B	

3207

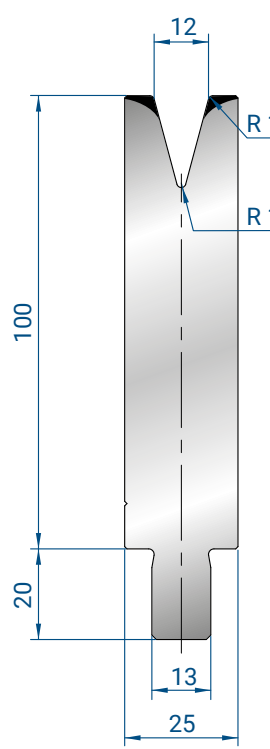
Mat = 42CrMo4
bonificato /
tempered
Max T/m = 50
 $\alpha = 30^\circ$



25-30 mm	0,6 kg
35-40	
45-50	
100 mm	1,7 kg
200 mm	3,4 kg
300 mm	5,1 kg
500 mm	8,6 kg
550 mm	9,5 kg
FRAZ. /SECT.	
1050 mm	17,8 kg
FRAZ. B/SECT. B	
1250 mm	21,2 kg
FRAZ. B/SECT. B	
2050 mm	34,8 kg
FRAZ. B/SECT. B	
2550 mm	43,3 kg
FRAZ. B/SECT. B	
3050 mm	51,8 kg
FRAZ. B/SECT. B	
4050 mm	68,8 kg
FRAZ. B/SECT. B	

3208

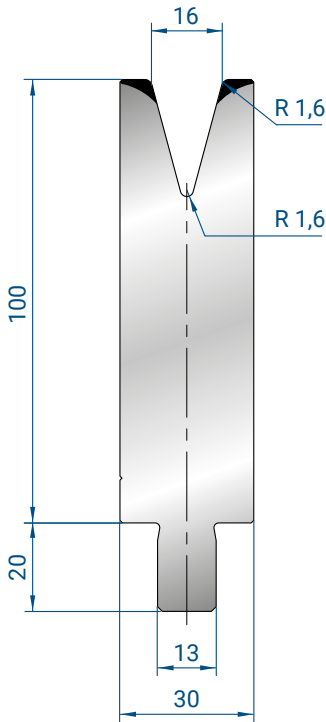
Mat = 42CrMo4
bonificato /
tempered
Max T/m = 50
 $\alpha = 30^\circ$



25-30 mm	0,8 kg
35-40	
45-50	
100 mm	2,0 kg
200 mm	4,1 kg
300 mm	6,2 kg
500 mm	10,2 kg
550 mm	11,3 kg
FRAZ. /SECT.	
1050 mm	21,0 kg
FRAZ. B/SECT. B	
1250 mm	25,0 kg
FRAZ. B/SECT. B	
2050 mm	41,0 kg
FRAZ. B/SECT. B	
2550 mm	51,0 kg
FRAZ. B/SECT. B	
3050 mm	61,0 kg
FRAZ. B/SECT. B	
4050 mm	81,0 kg
FRAZ. B/SECT. B	

3209

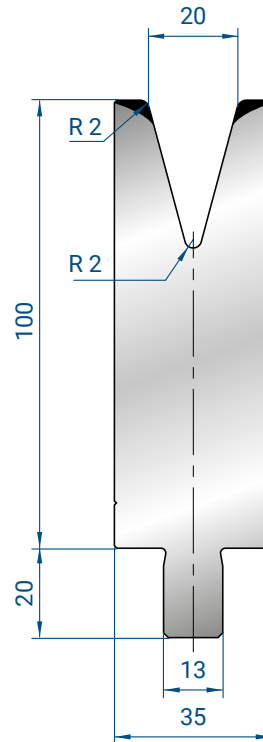
Mat = 42CrMo4
bonificato /
tempered
Max T/m = 56
 $\alpha = 30^\circ$



25-30 mm	0,9 kg
35-40	
45-50	
100 mm	2,4 kg
200 mm	4,8 kg
300 mm	7,2 kg
500 mm	11,8 kg
550 mm	13,0 kg
FRAZ. /SECT.	
1050 mm	25,2 kg
FRAZ. B/SECT. B	
1250 mm	30,0 kg
FRAZ. B/SECT. B	
2050 mm	49,2 kg
FRAZ. B/SECT. B	
2550 mm	63,7 kg
FRAZ. B/SECT. B	
3050 mm	73,2 kg
FRAZ. B/SECT. B	
4050 mm	97,2 kg
FRAZ. B/SECT. B	

3210

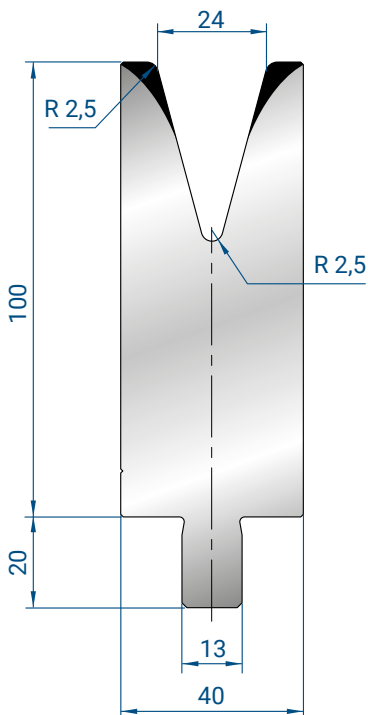
Mat = 42CrMo4
bonificato /
tempered
Max T/m = 68
 $\alpha = 30^\circ$



25-30 mm	1,0 kg
35-40	
45-50	
100 mm	2,6 kg
200 mm	5,2 kg
300 mm	7,8 kg
500 mm	13,0 kg
550 mm	13,0 kg
FRAZ. /SECT.	
1050 mm	27,3 kg
FRAZ. B/SECT. B	
1250 mm	32,5 kg
FRAZ. B/SECT. B	
2050 mm	53,3 kg
FRAZ. B/SECT. B	
2550 mm	66,3 kg
FRAZ. B/SECT. B	
3050 mm	79,3 kg
FRAZ. B/SECT. B	
4050 mm	105,3 kg
FRAZ. B/SECT. B	

3211

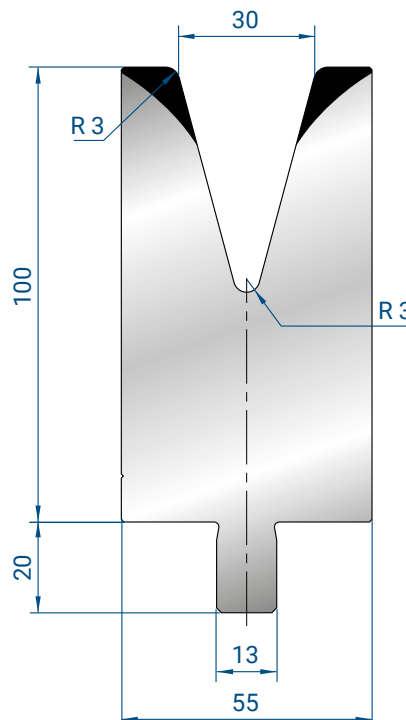
Mat = 42CrMo4
bonificato /
tempered
Max T/m = 50
 $\alpha = 30^\circ$



25-30 mm	1,1 kg
35-40	
45-50	
100 mm	2,9 kg
200 mm	5,8 kg
300 mm	8,7 kg
500 mm	14,5 kg
550 mm	16,0 kg
FRAZ. /SECT.	
1050 mm	30,4 kg
FRAZ. B/SECT. B	
1250 mm	36,2 kg
FRAZ. B/SECT. B	
2050 mm	59,4 kg
FRAZ. B/SECT. B	
2550 mm	73,9 kg
FRAZ. B/SECT. B	
3050 mm	88,4 kg
FRAZ. B/SECT. B	
4050 mm	117,4 kg
FRAZ. B/SECT. B	

3212

Mat = 42CrMo4
bonificato /
tempered
Max T/m = 55
 $\alpha = 30^\circ$



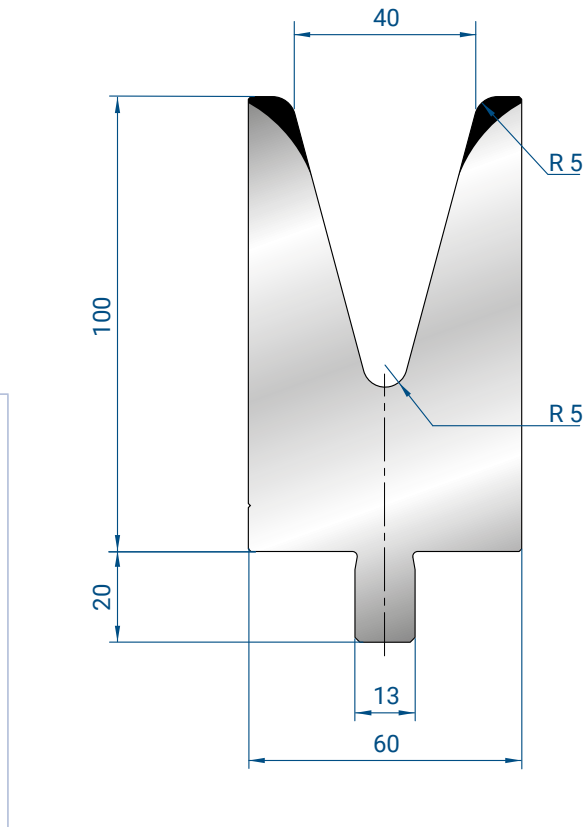
25-30 mm	1,5 kg
35-40	
45-50	
100 mm	3,8 kg
200 mm	7,6 kg
300 mm	11,4 kg
500 mm	19,0 kg
550 mm	20,9 kg
FRAZ. /SECT.	
1050 mm	39,9 kg
FRAZ. B/SECT. B	
1250 mm	47,5 kg
FRAZ. B/SECT. B	
2050 mm	77,9 kg
FRAZ. B/SECT. B	
2550 mm	96,9 kg
FRAZ. B/SECT. B	
3050 mm	115,9 kg
FRAZ. B/SECT. B	
4050 mm	153,9 kg
FRAZ. B/SECT. B	

3213

Mat = 42CrMo4
bonificato /
tempered
Max T/m = 85
 $\alpha = 30^\circ$

3214

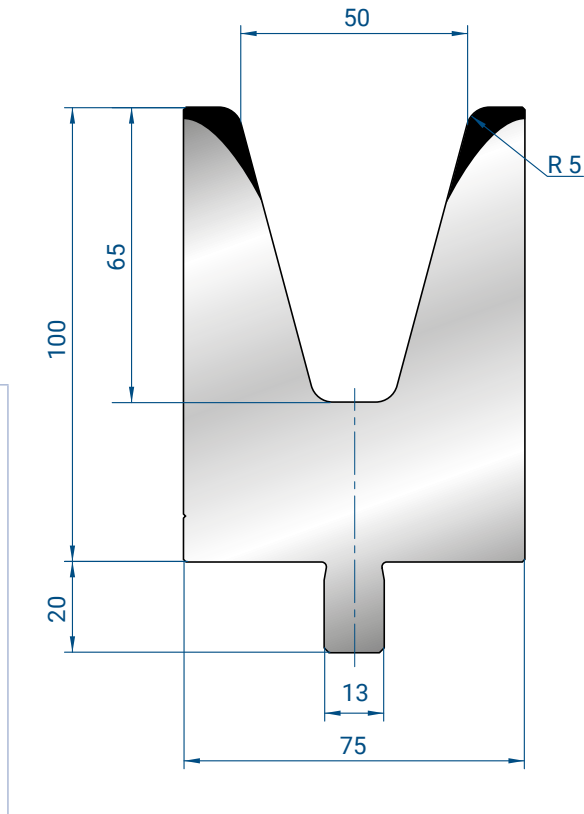
Mat = 42CrMo4
 bonificato /
 tempered
 Max T/m = 73
 $\alpha = 30^\circ$



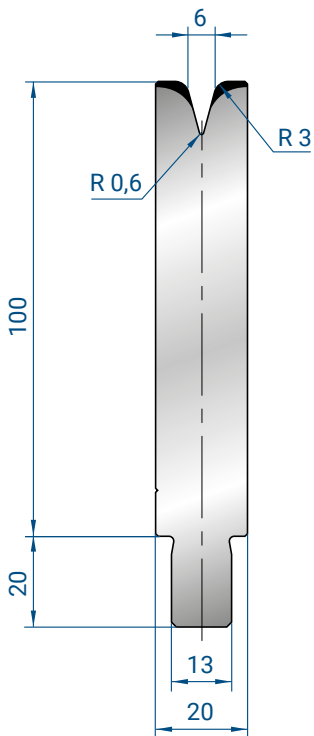
25-30 mm	1,5 kg
35-40	
45-50	
100 mm	3,7 kg
200 mm	7,4 kg
300 mm	11,1 kg
500 mm	18,5 kg
550 mm FRAZ. /SECT	20,4 kg
1050 mm FRAZ. B/SECT.B	38,8 kg
1250 mm FRAZ. B/SECT.B	46,2 kg
2050 mm FRAZ. B/SECT.B	75,8 kg
2550 mm FRAZ. B/SECT.B	94,3 kg
3050 mm FRAZ. B/SECT.B	112,8 kg
4050mm FRAZ. B/SECT.B	149,8 kg

3235

Mat = 42CrMo4
 bonificato /
 tempered
 Max T/m = 100
 $\alpha = 30^\circ$



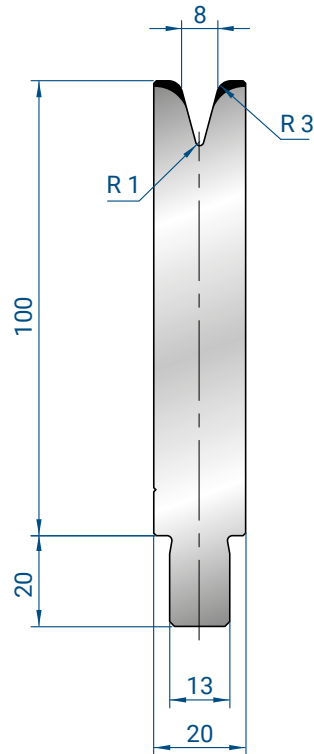
25-30 mm	1,8 kg
35-40	
45-50	
100 mm	4,6 kg
200 mm	9,2 kg
300 mm	13,8 kg
500 mm	23,0 kg
550 mm FRAZ. /SECT	25,3 kg
1050 mm FRAZ. B/SECT.B	48,3 kg
1250 mm FRAZ. B/SECT.B	57,5 kg
2050 mm FRAZ. B/SECT.B	94,3 kg
2550 mm FRAZ. B/SECT.B	117,3 kg
3050 mm FRAZ. B/SECT.B	140,3 kg
4050mm FRAZ. B/SECT.B	186,3 kg



25-30 mm	0,6 kg
35-40	
45-50	
100 mm	1,8 kg
200 mm	3,6 kg
300 mm	5,4 kg
500 mm	8,7 kg
550 mm	9,6 kg
FRAZ. /SECT. B	
1050 mm	18,9 kg
FRAZ. B/SECT. B	
1250 mm	22,5 kg
FRAZ. B/SECT. B	
2050 mm	36,9 kg
FRAZ. B/SECT. B	
2550 mm	45,9 kg
FRAZ. B/SECT. B	
3050 mm	54,9 kg
FRAZ. B/SECT. B	
4050 mm	72,9 kg
FRAZ. B/SECT. B	

3236

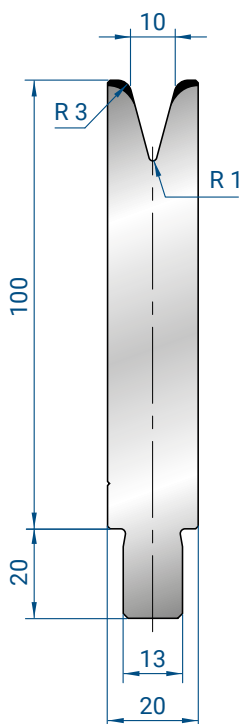
Mat = 42CrMo4
 bonificato /
 tempered
Max T/m = 45
 $\alpha = 30^\circ$



25-30 mm	0,6 kg
35-40	
45-50	
100 mm	1,7 kg
200 mm	3,4 kg
300 mm	5,1 kg
500 mm	8,6 kg
550 mm	9,5 kg
FRAZ. /SECT. B	
1050 mm	17,8 kg
FRAZ. B/SECT. B	
1250 mm	21,2 kg
FRAZ. B/SECT. B	
2050 mm	34,8 kg
FRAZ. B/SECT. B	
2550 mm	43,3 kg
FRAZ. B/SECT. B	
3050 mm	51,8 kg
FRAZ. B/SECT. B	
4050 mm	68,8 kg
FRAZ. B/SECT. B	

3237

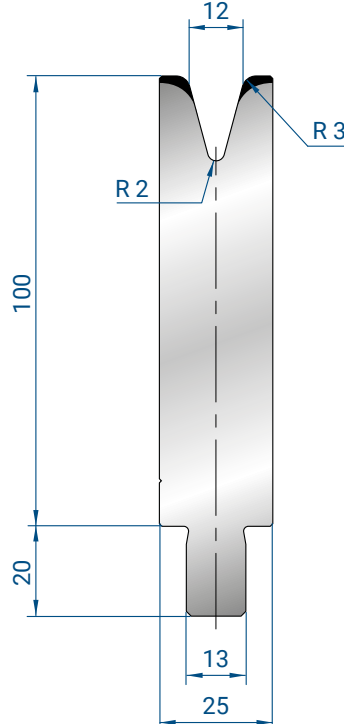
Mat = 42CrMo4
 bonificato /
 tempered
Max T/m = 40
 $\alpha = 30^\circ$



25-30 mm	0,6 kg
35-40	
45-50	
100 mm	1,7 kg
200 mm	3,4 kg
300 mm	5,1 kg
500 mm	8,6 kg
550 mm	9,5 kg
FRAZ. /SECT. B	
1050 mm	17,8 kg
FRAZ. B/SECT. B	
1250 mm	21,2 kg
FRAZ. B/SECT. B	
2050 mm	34,8 kg
FRAZ. B/SECT. B	
2550 mm	43,3 kg
FRAZ. B/SECT. B	
3050 mm	51,8 kg
FRAZ. B/SECT. B	
4050 mm	68,8 kg
FRAZ. B/SECT. B	

3238

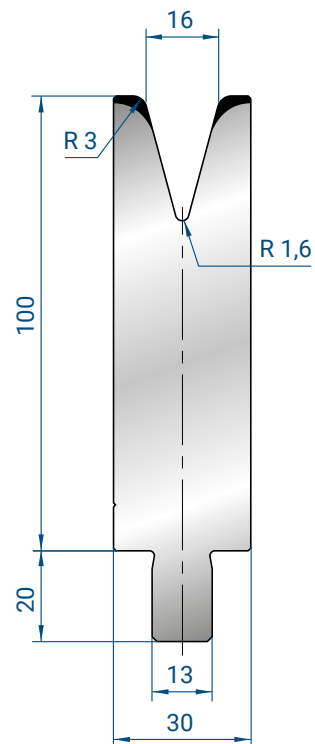
Mat = 42CrMo4
 bonificato /
 tempered
Max T/m = 30
 $\alpha = 30^\circ$



25-30 mm	0,8 kg
35-40	
45-50	
100 mm	2,0 kg
200 mm	4,1 kg
300 mm	6,2 kg
500 mm	10,2 kg
550 mm	11,3 kg
FRAZ. /SECT. B	
1050 mm	21,0 kg
FRAZ. B/SECT. B	
1250 mm	25,0 kg
FRAZ. B/SECT. B	
2050 mm	41,0 kg
FRAZ. B/SECT. B	
2550 mm	51,0 kg
FRAZ. B/SECT. B	
3050 mm	61,0 kg
FRAZ. B/SECT. B	
4050 mm	81,0 kg
FRAZ. B/SECT. B	

3239

Mat = 42CrMo4
 bonificato /
 tempered
Max T/m = 40
 $\alpha = 30^\circ$



TRUMPF STYLE

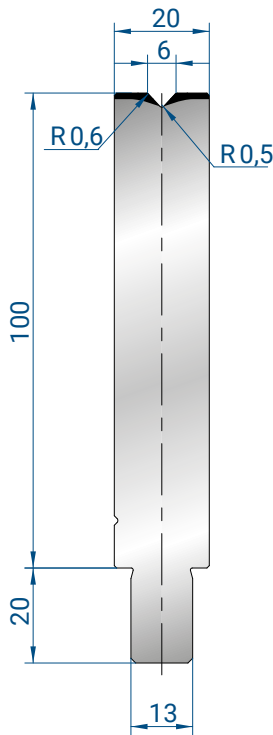
25-30 mm	0,9 kg
35-40	
45-50	
100 mm	2,4 kg
200 mm	4,8 kg
300 mm	7,2 kg
500 mm	11,8 kg
550 mm FRAZ. /SECT.	13,0 kg
1050 mm FRAZ. B/SECT. B	25,2 kg
1250 mm FRAZ. B/SECT. B	30,0 kg
2050 mm FRAZ. B/SECT. B	49,2 kg
2550 mm FRAZ. B/SECT. B	63,7 kg
3050 mm FRAZ. B/SECT. B	73,2 kg
4050 mm FRAZ. B/SECT. B	97,2 kg

3240

Mat = 42CrMo4
bonificato /
tempered

Max T/m = 40

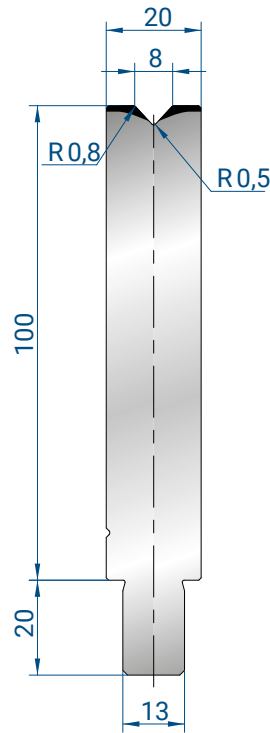
α = 30°



5-30 mm	0,6 kg
35-40	
45-50	
100 mm	1,8 kg
200 mm	3,6 kg
300 mm	5,4 kg
500 mm	8,7 kg
550 mm	9,6 kg
FRAZ. B/SECT. B	
1050 mm	18,9 kg
FRAZ. B/SECT. B	
1250 mm	22,5 kg
FRAZ. B/SECT. B	
2050 mm	36,9 kg
FRAZ. B/SECT. B	
2550 mm	45,9 kg
FRAZ. B/SECT. B	
3050 mm	54,9 kg
FRAZ. B/SECT. B	
4050 mm	72,9 kg
FRAZ. B/SECT. B	

3123

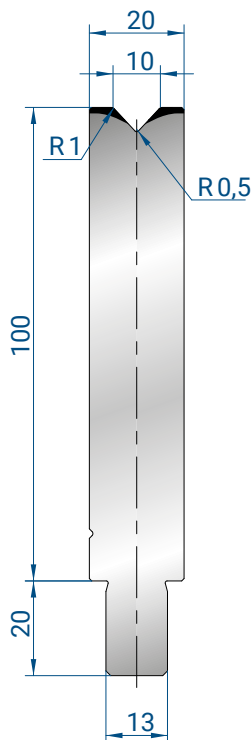
Mat = C45
Max T/m = 100
 $\alpha = 86^\circ$



25-30 mm	0,6 kg
35-40	
45-50	
100 mm	1,8 kg
200 mm	3,6 kg
300 mm	5,4 kg
500 mm	8,7 kg
550 mm	9,6 kg
FRAZ. B/SECT. B	
1050 mm	18,9 kg
FRAZ. B/SECT. B	
1250 mm	22,5 kg
FRAZ. B/SECT. B	
2050 mm	36,9 kg
FRAZ. B/SECT. B	
2550 mm	45,9 kg
FRAZ. B/SECT. B	
3050 mm	54,9 kg
FRAZ. B/SECT. B	
4050 mm	72,9 kg
FRAZ. B/SECT. B	

3124

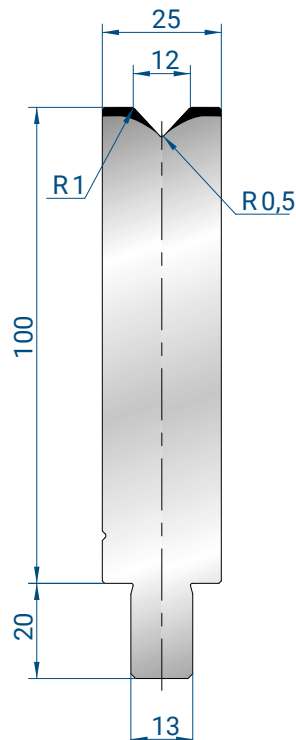
Mat = C45
Max T/m = 100
 $\alpha = 86^\circ$



25-30 mm	0,6 kg
35-40	
45-50	
100 mm	1,8 kg
200 mm	3,6 kg
300 mm	5,4 kg
500 mm	8,7 kg
550 mm	9,6 kg
FRAZ. B/SECT. B	
1050 mm	18,9 kg
FRAZ. B/SECT. B	
1250 mm	22,5 kg
FRAZ. B/SECT. B	
2050 mm	36,9 kg
FRAZ. B/SECT. B	
2550 mm	45,9 kg
FRAZ. B/SECT. B	
3050 mm	54,9 kg
FRAZ. B/SECT. B	
4050 mm	72,9 kg
FRAZ. B/SECT. B	

3125

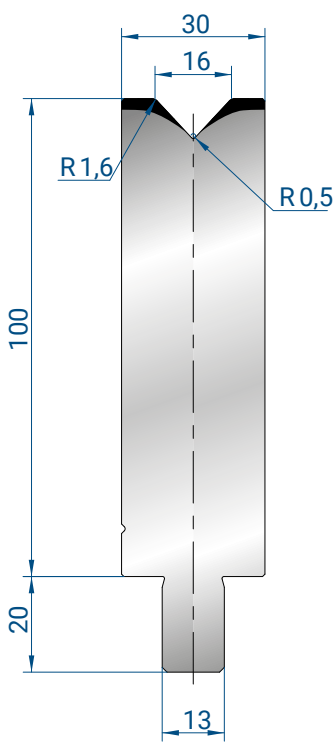
Mat = C45
Max T/m = 100
 $\alpha = 86^\circ$



25-30 mm	0,8 kg
35-40	
45-50	
100 mm	2,0 kg
200 mm	4,1 kg
300 mm	6,2 kg
500 mm	10,2 kg
550 mm	11,3 kg
FRAZ. B/SECT. B	
1050 mm	21,0 kg
FRAZ. B/SECT. B	
1250 mm	25,0 kg
FRAZ. B/SECT. B	
2050 mm	41,0 kg
FRAZ. B/SECT. B	
2550 mm	51,0 kg
FRAZ. B/SECT. B	
3050 mm	61,0 kg
FRAZ. B/SECT. B	
4050 mm	81,0 kg
FRAZ. B/SECT. B	

3126

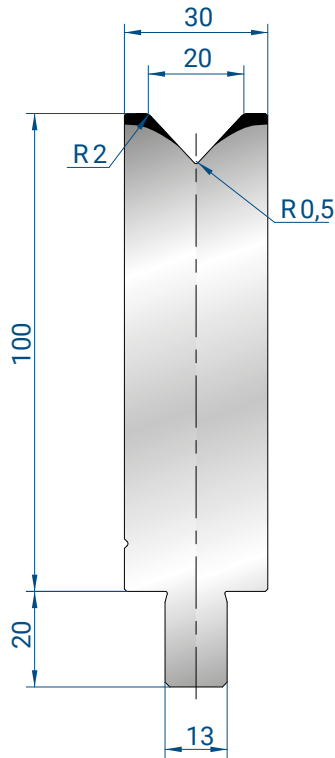
Mat = C45
Max T/m = 100
 $\alpha = 86^\circ$



25-30 mm	0,9 kg
35-40	
45-50	
100 mm	2,4 kg
200 mm	4,8 kg
300 mm	7,2 kg
500 mm	11,8 kg
550 mm	13,0 kg
FRAZ. /SECT.	
1050 mm	25,2 kg
FRAZ. B/SECT. B	
1250 mm	30,0 kg
FRAZ. B/SECT. B	
2050 mm	49,2 kg
FRAZ. B/SECT. B	
2550 mm	63,7 kg
FRAZ. B/SECT. B	
3050 mm	73,2 kg
FRAZ. B/SECT. B	
4050 mm	97,2 kg
FRAZ. B/SECT. B	

3127

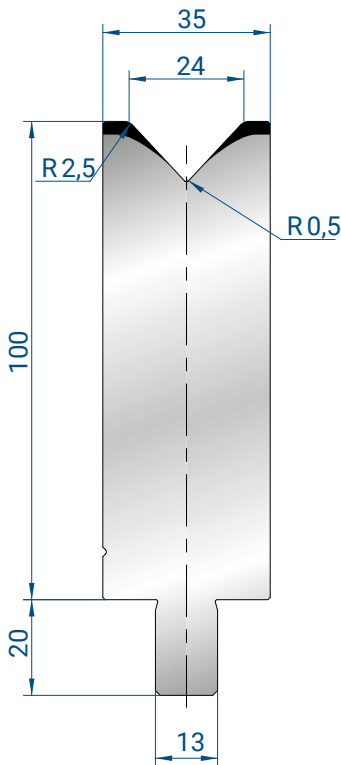
Mat = C45
 Max T/m = 100
 $\alpha = 86^\circ$



25-30 mm	0,9 kg
35-40	
45-50	
100 mm	2,4 kg
200 mm	4,8 kg
300 mm	7,2 kg
500 mm	11,8 kg
550 mm	13,0 kg
FRAZ. /SECT.	
1050 mm	25,2 kg
FRAZ. B/SECT. B	
1250 mm	30,0 kg
FRAZ. B/SECT. B	
2050 mm	49,2 kg
FRAZ. B/SECT. B	
2550 mm	63,7 kg
FRAZ. B/SECT. B	
3050 mm	73,2 kg
FRAZ. B/SECT. B	
4050 mm	97,2 kg
FRAZ. B/SECT. B	

3128

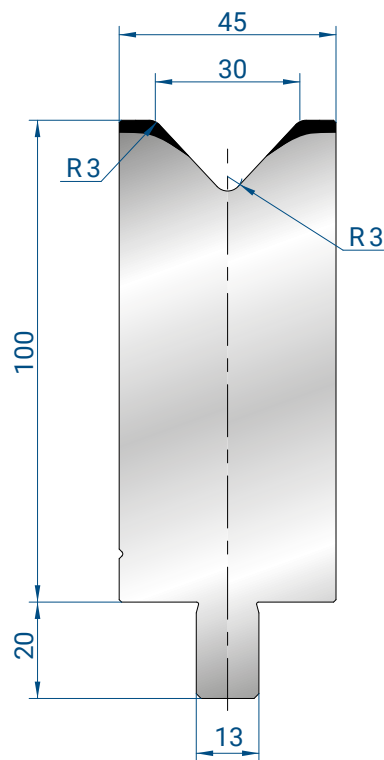
Mat = C45
 Max T/m = 100
 $\alpha = 86^\circ$



25-30 mm	1,1 kg
35-40	
45-50	
100 mm	2,8 kg
200 mm	5,6 kg
300 mm	8,4 kg
500 mm	14,0 kg
550 mm	15,4 kg
FRAZ. /SECT.	
1050 mm	29,4 kg
FRAZ. B/SECT. B	
1250 mm	35,0 kg
FRAZ. B/SECT. B	
2050 mm	57,4 kg
FRAZ. B/SECT. B	
2550 mm	71,4 kg
FRAZ. B/SECT. B	
3050 mm	85,4 kg
FRAZ. B/SECT. B	
4050 mm	113,4 kg
FRAZ. B/SECT. B	

3129

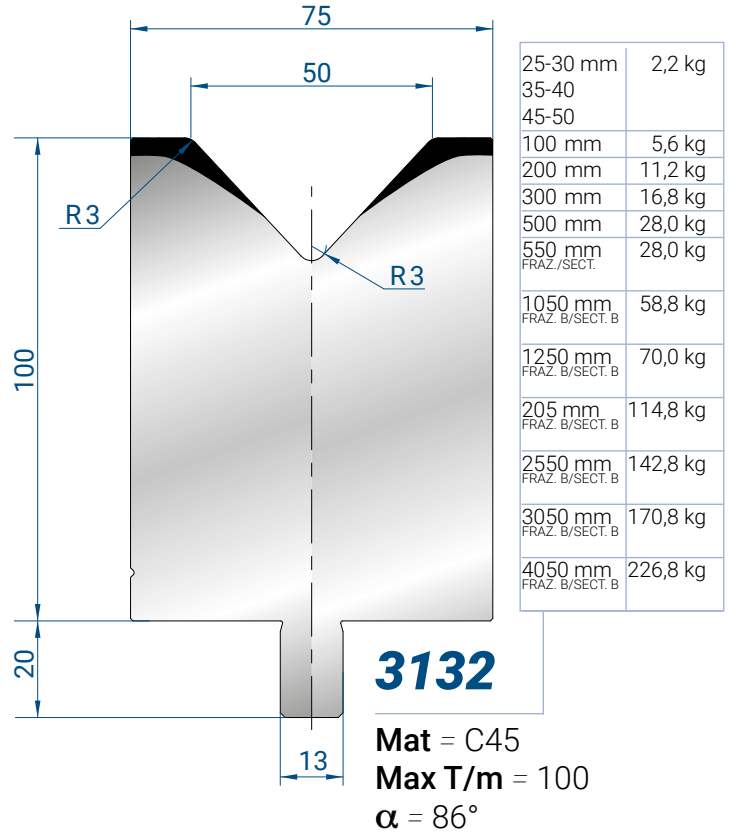
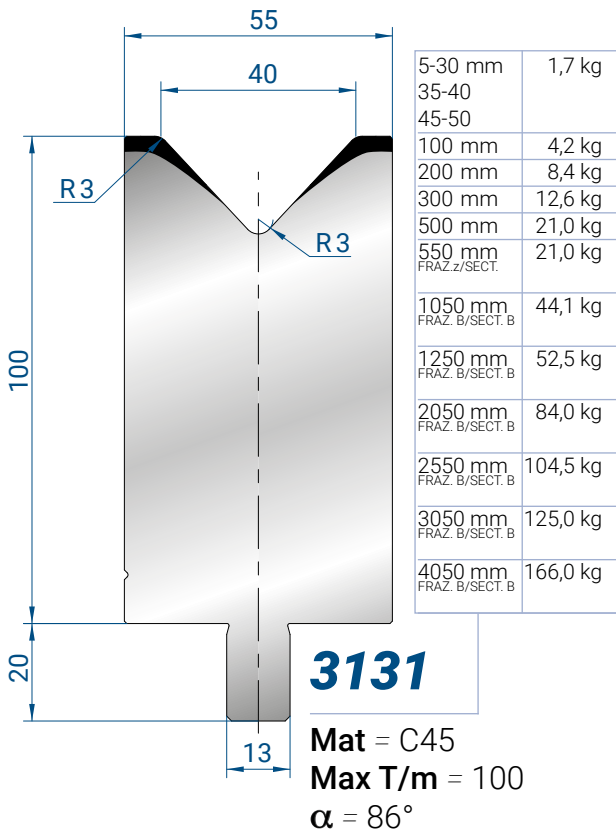
Mat = C45
 Max T/m = 100
 $\alpha = 86^\circ$



25-30 mm	1,4 kg
35-40	
45-50	
100 mm	3,6 kg
200 mm	7,2 kg
300 mm	10,8 kg
500 mm	18,0 kg
550 mm	18,0 kg
FRAZ. /SECT.	
1050 mm	37,8 kg
FRAZ. B/SECT. B	
1250 mm	44,2 kg
FRAZ. B/SECT. B	
2050 mm	72,5 kg
FRAZ. B/SECT. B	
2550 mm	91,8 kg
FRAZ. B/SECT. B	
3050 mm	109,8 kg
FRAZ. B/SECT. B	
4050 mm	145,8 kg
FRAZ. B/SECT. B	

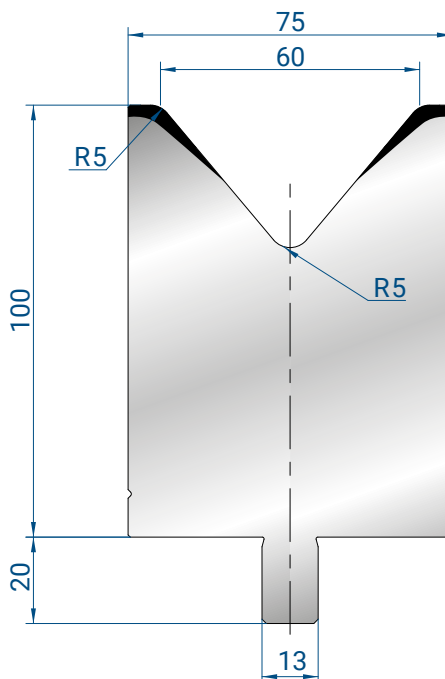
3130

Mat = C45
 Max T/m = 100
 $\alpha = 86^\circ$



3133

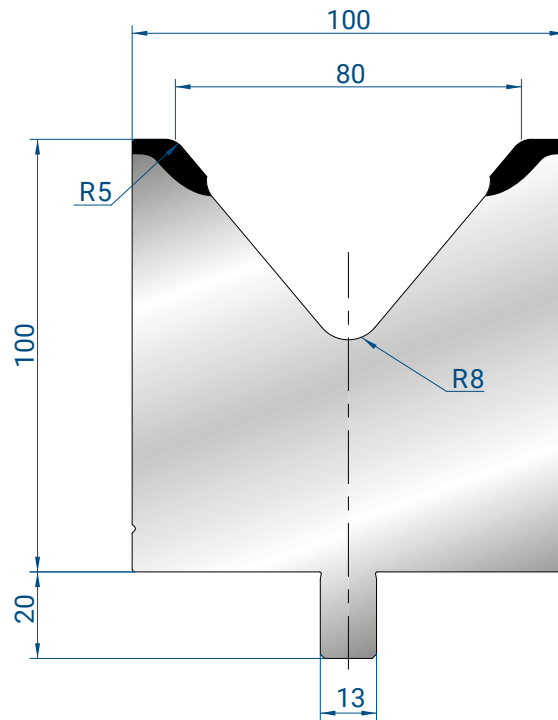
Mat = C45
 Max T/m = 100
 $\alpha = 80^\circ$



25-30 mm	2,0 kg
35-40	
45-50	
100 mm	5,2 kg
200 mm	10,4 kg
300 mm	15,6 kg
500 mm	26,0 kg
550 mm	28,6 kg
FRAZ. z/SECT.	
1050 mm	54,6 kg
FRAZ. B/SECT. B	
1250 mm	65,0 kg
FRAZ. B/SECT. B	
2050 mm	106,6 kg
FRAZ. B/SECT. B	
2550 mm	132,6 kg
FRAZ. B/SECT. B	
3050 mm	158,6 kg
FRAZ. B/SECT. B	
4050 mm	210,6 kg
FRAZ. B/SECT. B	

3134

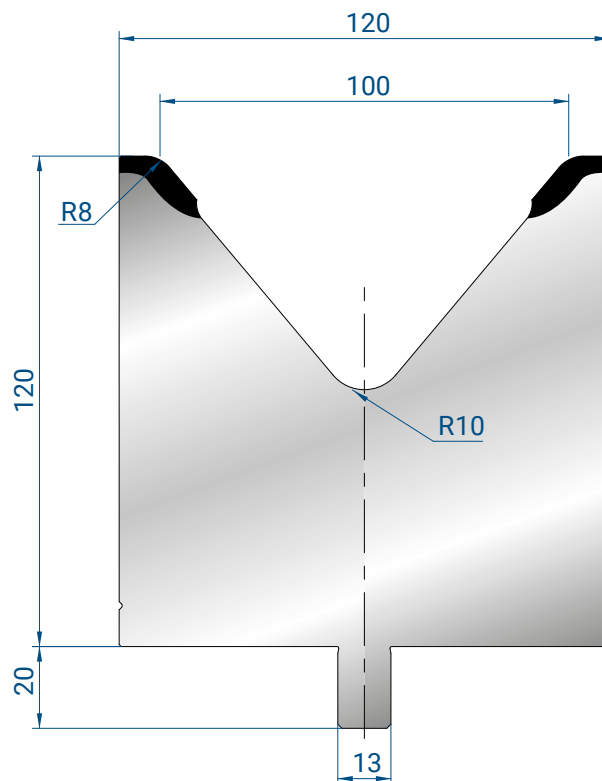
Mat = C45
 Max T/m = 100
 $\alpha = 80^\circ$



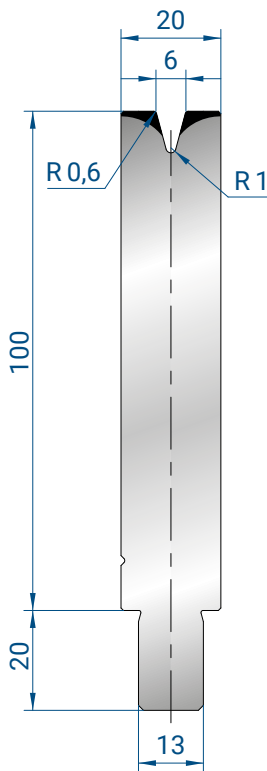
25-30 mm	2,5 kg
35-40	
45-50	
100 mm	6,4 kg
200 mm	12,8 kg
300 mm	19,2 kg
500 mm	32,0 kg
550 mm FRAZ. /SECT.	35,2 kg
1050 mm FRAZ. B/SECT. B	67,2 kg
1250 mm FRAZ. B/SECT. B	80,0 kg
2050 mm FRAZ. B/SECT. B	131,2 kg
2550 mm FRAZ. B/SECT. B	163,2 kg
3050 mm FRAZ. B/SECT. B	195,2 kg
4050 mm FRAZ. B/SECT. B	259,2 kg

3135

Mat = C45
 Max T/m = 100
 $\alpha = 80^\circ$



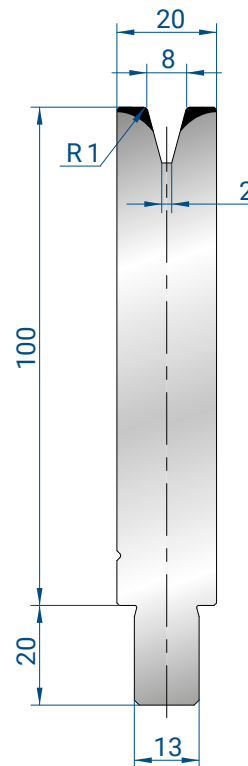
25-30 mm	3,6 kg
35-40	
45-50	
100 mm	9,0 kg
200 mm	18,0 kg
300 mm	27,0 kg
500 mm	45,0 kg
550 mm FRAZ. /SECT.	49,5 kg
1050 mm FRAZ. B/SECT. B	44,5 kg
1250 mm FRAZ. B/SECT. B	112,5 kg
2050 mm FRAZ. B/SECT. B	184,5 kg
2550 mm FRAZ. B/SECT. B	229,5 kg
3050 mm FRAZ. B/SECT. B	274,5 kg
4050 mm FRAZ. B/SECT. B	364,5 kg



25-30 mm	0,6 kg
35-40	
45-50	
100 mm	1,8 kg
200 mm	3,6 kg
300 mm	5,4 kg
500 mm	8,7 kg
550 mm	9,6 kg
FRAZ. /SECT.	
1050 mm	18,9 kg
FRAZ. B/SECT. B	
1250 mm	22,5 kg
FRAZ. B/SECT. B	
2050 mm	36,9 kg
FRAZ. B/SECT. B	
2550 mm	45,9 kg
FRAZ. B/SECT. B	
3050 mm	54,9 kg
FRAZ. B/SECT. B	
4050 mm	72,9 kg
FRAZ. B/SECT. B	

3136

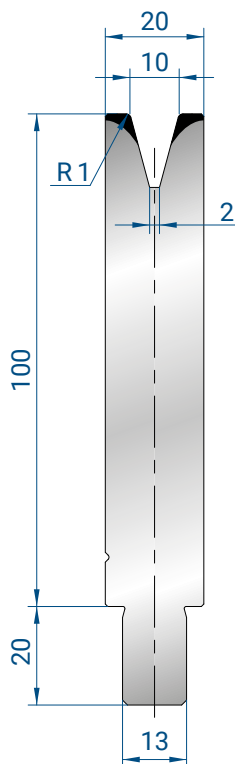
Mat = C45
Max T/m = 50
 $\alpha = 30^\circ$



25-30 mm	0,6 kg
35-40	
45-50	
100 mm	1,8 kg
200 mm	3,6 kg
300 mm	5,4 kg
500 mm	8,7 kg
550 mm	9,6 kg
FRAZ. /SECT.	
1050 mm	18,9 kg
FRAZ. B/SECT. B	
1250 mm	22,5 kg
FRAZ. B/SECT. B	
2050 mm	36,9 kg
FRAZ. B/SECT. B	
2550 mm	45,9 kg
FRAZ. B/SECT. B	
3050 mm	54,9 kg
FRAZ. B/SECT. B	
4050 mm	72,9 kg
FRAZ. B/SECT. B	

3137

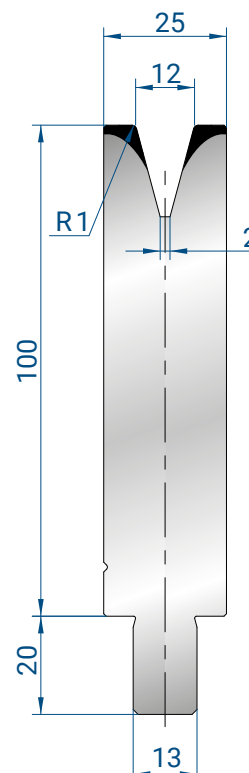
Mat = C45
Max T/m = 40
 $\alpha = 30^\circ$



25-30 mm	0,6 kg
35-40	
45-50	
100 mm	1,8 kg
200 mm	3,6 kg
300 mm	5,4 kg
500 mm	8,7 kg
550 mm	9,6 kg
FRAZ. /SECT.	
1050 mm	18,9 kg
FRAZ. B/SECT. B	
1250 mm	22,5 kg
FRAZ. B/SECT. B	
2050 mm	36,9 kg
FRAZ. B/SECT. B	
2550 mm	45,9 kg
FRAZ. B/SECT. B	
3050 mm	54,9 kg
FRAZ. B/SECT. B	
4050 mm	72,9 kg
FRAZ. B/SECT. B	

3138

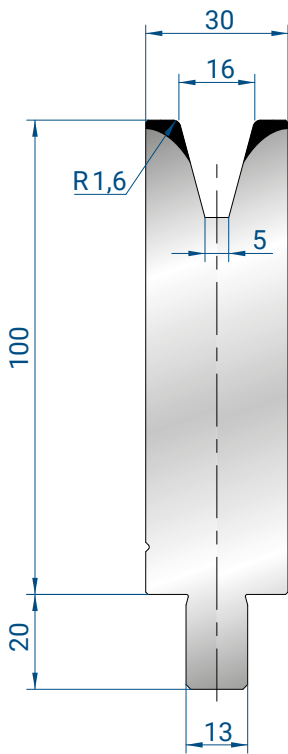
Mat = C45
Max T/m = 40
 $\alpha = 30^\circ$



25-30 mm	0,8 kg
35-40	
45-50	
100 mm	2,0 kg
200 mm	4,1 kg
300 mm	6,2 kg
500 mm	10,2 kg
550 mm	11,3kg
FRAZ. /SECT.	
1050 mm	21,0 kg
FRAZ. B/SECT. B	
1250 mm	25,0 kg
FRAZ. B/SECT. B	
2050 mm	41,0 kg
FRAZ. B/SECT. B	
2550 mm	51,0 kg
FRAZ. B/SECT. B	
3050 mm	61,0 kg
FRAZ. B/SECT. B	
4050 mm	81,0 kg
FRAZ. B/SECT. B	

3139

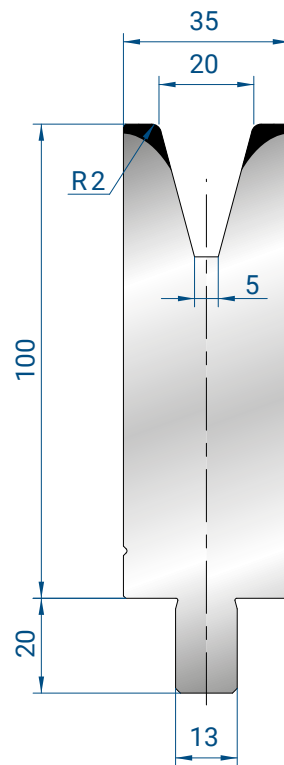
Mat = C45
Max T/m = 50
 $\alpha = 30^\circ$



25-30 mm	0,9 kg
35-40	
45-50	
100 mm	2,4 kg
200 mm	4,8 kg
300 mm	7,2 kg
500 mm	11,8 kg
550 mm	13,0 kg
FRAZ. /SECT.	
1050 mm	25,2 kg
FRAZ. B/SECT. B	
1250 mm	30,0 kg
FRAZ. B/SECT. B	
2050 mm	49,2 kg
FRAZ. B/SECT. B	
2550 mm	63,7 kg
FRAZ. B/SECT. B	
3050 mm	73,2 kg
FRAZ. B/SECT. B	
4050 mm	97,2 kg
FRAZ. B/SECT. B	

3140

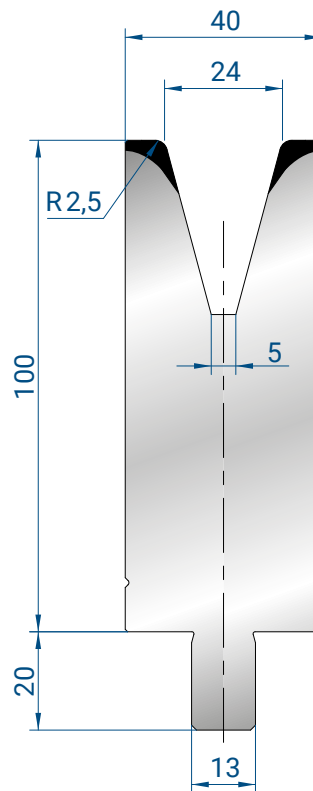
Mat = C45
Max T/m = 45
 $\alpha = 30^\circ$



25-30 mm	1,0 kg
35-40	
45-50	
100 mm	2,6 kg
200 mm	5,2 kg
300 mm	7,8 kg
500 mm	13,0 kg
550 mm	13,0 kg
FRAZ. /SECT.	
1050 mm	27,3 kg
FRAZ. B/SECT. B	
1250 mm	32,5 kg
FRAZ. B/SECT. B	
2050 mm	53,3 kg
FRAZ. B/SECT. B	
2550 mm	66,3 kg
FRAZ. B/SECT. B	
3050 mm	79,3 kg
FRAZ. B/SECT. B	
4050 mm	105,3 kg
FRAZ. B/SECT. B	

3141

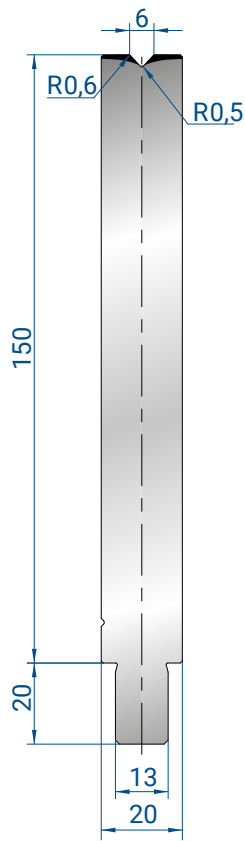
Mat = C45
Max T/m = 50
 $\alpha = 30^\circ$



25-30 mm	1,2 kg
35-40	
45-50	
100 mm	3,0 kg
200 mm	6,0 kg
300 mm	9,0 kg
500 mm	15,0 kg
550 mm	15,0 kg
FRAZ. /SECT.	
1050 mm	31,5 kg
FRAZ. B/SECT. B	
1250 mm	37,5 kg
FRAZ. B/SECT. B	
2050 mm	62,5 kg
FRAZ. B/SECT. B	
2550 mm	76,5 kg
FRAZ. B/SECT. B	
3050 mm	91,5 kg
FRAZ. B/SECT. B	
4050 mm	121,5 kg
FRAZ. B/SECT. B	

3142

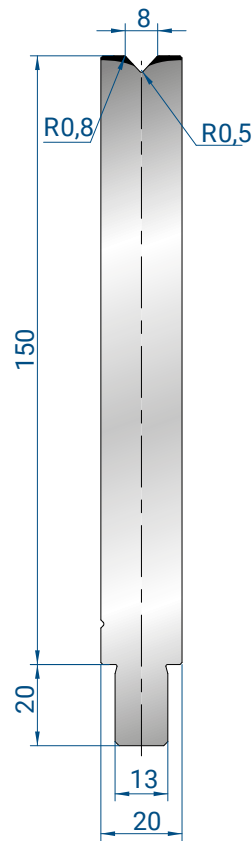
Mat = C45
Max T/m = 50
 $\alpha = 30^\circ$



25-30 mm	1,0 kg
35-40	
45-50	
100 mm	2,6 kg
200 mm	5,2 kg
300 mm	7,8 kg
500 mm	13,0 kg
550 mm FRAZ. /SECT. B	13,0kg
1050 mm FRAZ. B/SECT. B	27,3 kg
1250 mm FRAZ. B/SECT. B	32,5 kg
2050 mm FRAZ. B/SECT. B	53,3 kg
2550 mm FRAZ. B/SECT. B	66,3 kg
3050 mm FRAZ. B/SECT. B	79,3 kg
4050 mm FRAZ. B/SECT. B	105,3 kg

3143

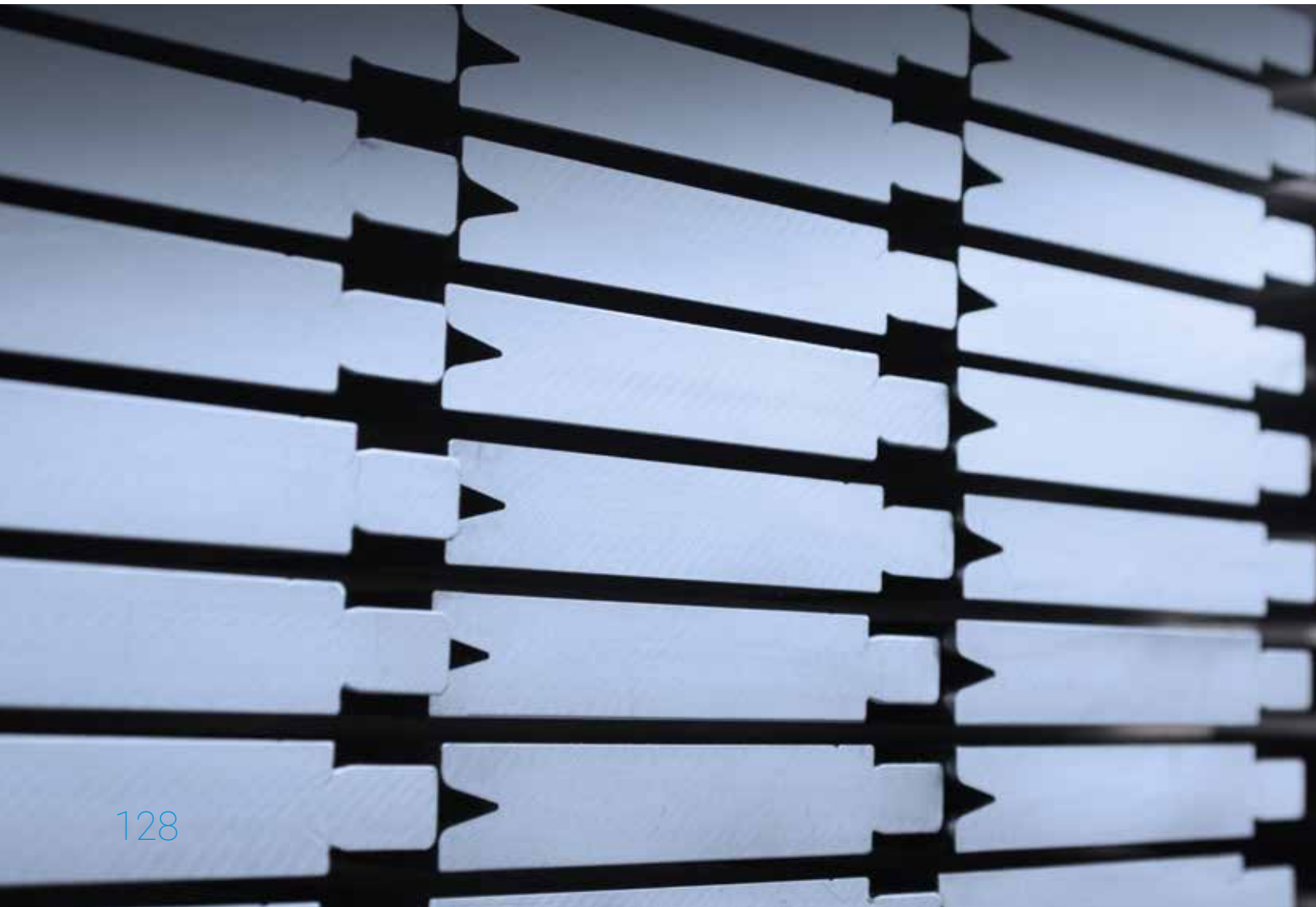
Mat = C45
Max T/m = 100
 $\alpha = 86^\circ$

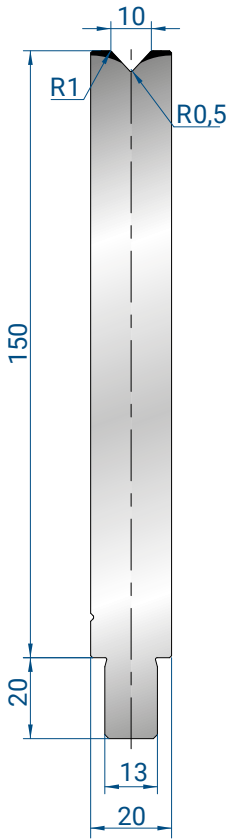


25-30 mm	1,0 kg
35-40	
45-50	
100 mm	2,6 kg
200 mm	5,2 kg
300 mm	7,8 kg
500 mm	13,0 kg
550 mm FRAZ. /SECT. B	13,0 kg
1050 mm FRAZ. B/SECT. B	27,3 kg
1250 mm FRAZ. B/SECT. B	32,5 kg
2050 mm FRAZ. B/SECT. B	53,3 kg
2550 mm FRAZ. B/SECT. B	66,3 kg
3050 mm FRAZ. B/SECT. B	79,3 kg
4050 mm FRAZ. B/SECT. B	105,3 kg

3144

Mat = C45
Max T/m = 100
 $\alpha = 86^\circ$

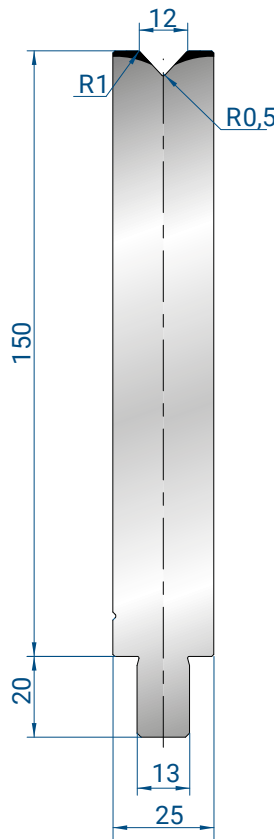




25-30 mm	1,0 kg
35-40	
45-50	
100 mm	2,6 kg
200 mm	5,2 kg
300 mm	7,8 kg
500 mm	13,0 kg
550 mm	13,0 kg
FRAZ. /SECT.	
1050 mm	27,3 kg
FRAZ. B/SECT. B	
1250 mm	32,5 kg
FRAZ. B/SECT. B	
2050 mm	53,3 kg
FRAZ. B/SECT. B	
2550 mm	66,3 kg
FRAZ. B/SECT. B	
3050 mm	79,3 kg
FRAZ. B/SECT. B	
4050 mm	105,3 kg
FRAZ. B/SECT. B	

3145

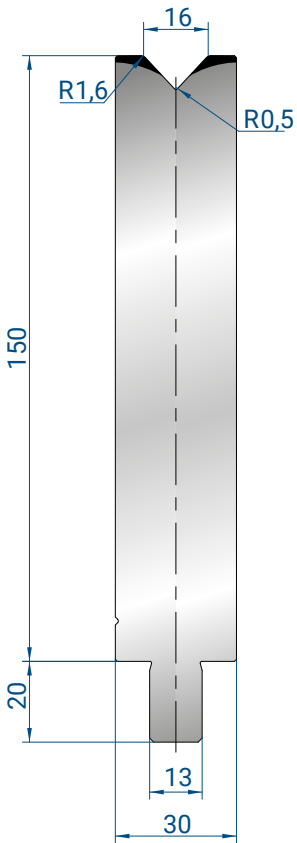
Mat = C45
Max T/m = 100
 $\alpha = 86^\circ$



25-30 mm	1,3 kg
35-40	
45-50	
100 mm	3,2 kg
200 mm	6,4 kg
300 mm	9,6 kg
500 mm	16,0 kg
550 mm	16,0 kg
FRAZ. /SECT.	
1050 mm	33,6 kg
FRAZ. B/SECT. B	
1250 mm	40,0kg
FRAZ. B/SECT. B	
2050 mm	65,6 kg
FRAZ. B/SECT. B	
2550 mm	81,6 kg
FRAZ. B/SECT. B	
3050 mm	97,6 kg
FRAZ. B/SECT. B	
4050 mm	129,6 kg
FRAZ. B/SECT. B	

3146

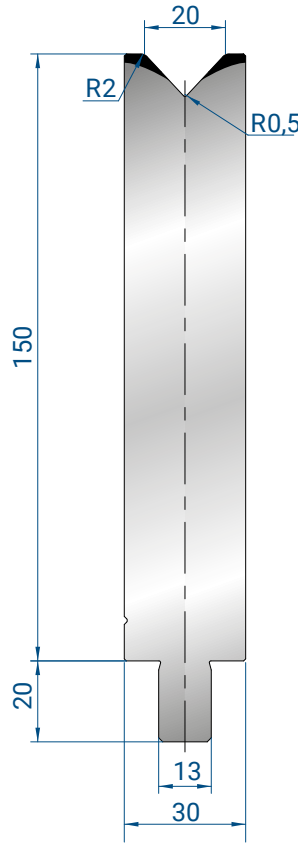
Mat = C45
Max T/m = 100
 $\alpha = 86^\circ$



25-30 mm	1,4 kg
35-40	
45-50	
100 mm	3,6 kg
200 mm	7,2 kg
300 mm	10,8 kg
500 mm	18,0 kg
550 mm	18,0 kg
FRAZ. /SECT.	
1050 mm	37,8 kg
FRAZ. B/SECT. B	
1250 mm	45,0kg
FRAZ. B/SECT. B	
2050 mm	73,8 kg
FRAZ. B/SECT. B	
2550 mm	91,8 kg
FRAZ. B/SECT. B	
3050 mm	109,8 kg
FRAZ. B/SECT. B	
4050 mm	145,8 kg
FRAZ. B/SECT. B	

3147

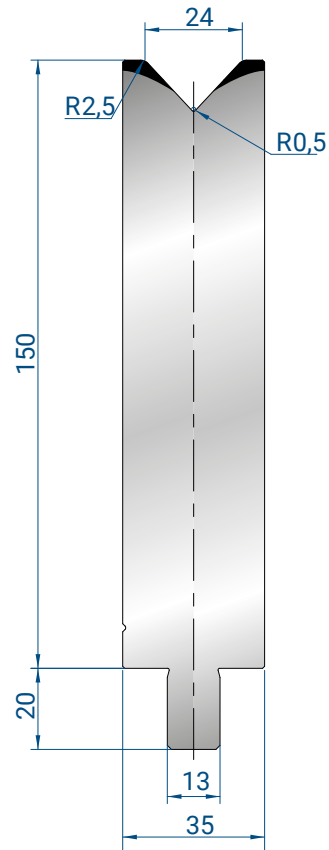
Mat = C45
Max T/m = 100
 $\alpha = 86^\circ$



25-30 mm	1,4 kg
35-40	
45-50	
100 mm	3,6 kg
200 mm	7,2 kg
300 mm	10,8 kg
500 mm	18,0 kg
550 mm	18,0 kg
FRAZ. /SECT.	
1050 mm	37,8 kg
FRAZ. B/SECT. B	
1250 mm	45,0kg
FRAZ. B/SECT. B	
2050 mm	73,8 kg
FRAZ. B/SECT. B	
2550 mm	91,8 kg
FRAZ. B/SECT. B	
3050 mm	109,8 kg
FRAZ. B/SECT. B	
4050 mm	145,8 kg
FRAZ. B/SECT. B	

3148

Mat = C45
Max T/m = 100
 $\alpha = 86^\circ$



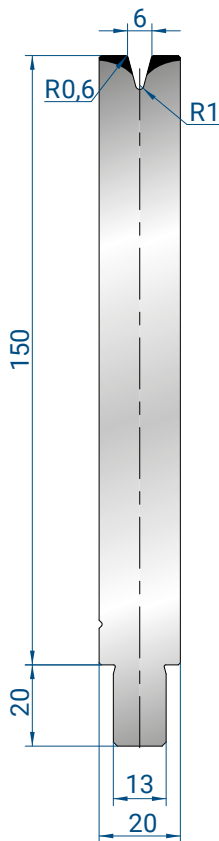
25-30 mm	1,4 kg
35-40	
45-50	
100 mm	3,6 kg
200 mm	7,2 kg
300 mm	10,8 kg
500 mm	18,0 kg
550 mm FRAZ. /SECT. B	18,0 kg
1050 mm FRAZ. B/SECT. B	37,8 kg
1250 mm FRAZ. B/SECT. B	45,0 kg
2050 mm FRAZ. B/SECT. B	73,8 kg
2550 mm FRAZ. B/SECT. B	91,8 kg
3050 mm FRAZ. B/SECT. B	109,8 kg
4050 mm FRAZ. B/SECT. B	145,8 kg

3149

Mat = C45

Max T/m = 100

$\alpha = 86^\circ$



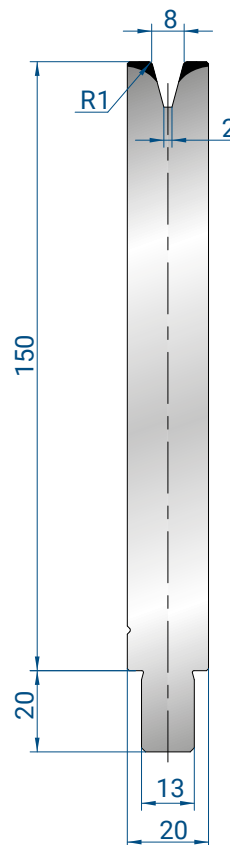
25-30 mm	1,0 kg
35-40	
45-50	
100 mm	2,6 kg
200 mm	5,2 kg
300 mm	7,8 kg
500 mm	13,0 kg
550 mm FRAZ. /SECT. B	13,0 kg
1050 mm FRAZ. B/SECT. B	27,3 kg
1250 mm FRAZ. B/SECT. B	32,5 kg
2050 mm FRAZ. B/SECT. B	53,3 kg
2550 mm FRAZ. B/SECT. B	66,3 kg
3050 mm FRAZ. B/SECT. B	79,3 kg
4050 mm FRAZ. B/SECT. B	105,3 kg

3150

Mat = C45

Max T/m = 50

$\alpha = 30^\circ$



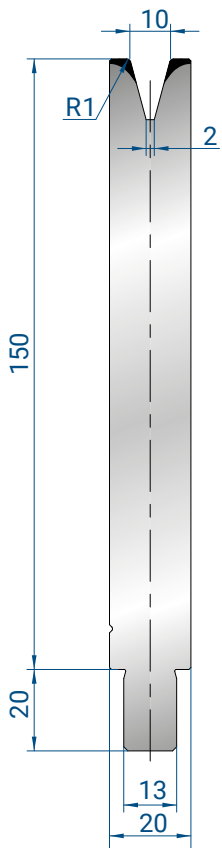
25-30 mm	1,0 kg
35-40	
45-50	
100 mm	2,6 kg
200 mm	5,2 kg
300 mm	7,8 kg
500 mm	13,0 kg
550 mm FRAZ. /SECT. B	13,0 kg
1050 mm FRAZ. B/SECT. B	27,3 kg
1250 mm FRAZ. B/SECT. B	32,5 kg
2050 mm FRAZ. B/SECT. B	53,3 kg
2550 mm FRAZ. B/SECT. B	66,3 kg
3050 mm FRAZ. B/SECT. B	79,3 kg
4050 mm FRAZ. B/SECT. B	105,3 kg

3151

Mat = C45

Max T/m = 40

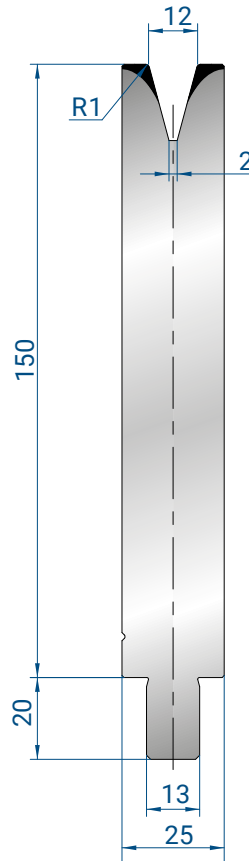
$\alpha = 30^\circ$



25-30 mm	1,0 kg
35-40	
45-50	
100 mm	2,6 kg
200 mm	5,2 kg
300 mm	7,8 kg
500 mm	13,0 kg
550 mm FRAZ. /SECT.	13,0 kg
1050 mm FRAZ. B/SECT. B	27,3 kg
1250 mm FRAZ. B/SECT. B	32,5 kg
2050 mm FRAZ. B/SECT. B	53,3 kg
2550 mm FRAZ. B/SECT. B	55,3 kg
3050 mm FRAZ. B/SECT. B	79,3 kg
4050 mm FRAZ. B/SECT. B	105,3 kg

3152

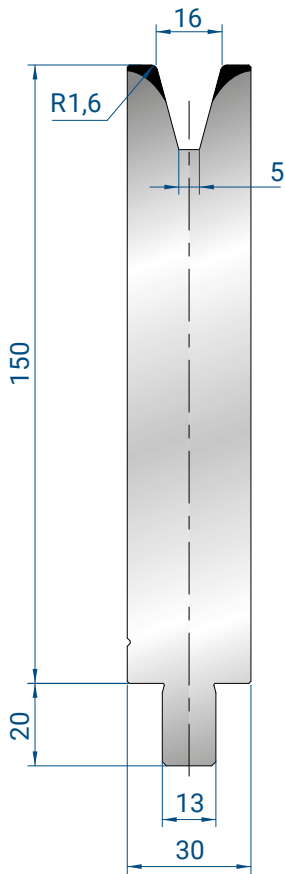
Mat = C45
Max T/m = 40
 $\alpha = 30^\circ$



25-30 mm	1,2 kg
35-40	
45-50	
100 mm	3,0 kg
200 mm	6,0 kg
300 mm	9,0 kg
500 mm	15,0 kg
550 mm FRAZ. /SECT.	15,0 kg
1050 mm FRAZ. B/SECT. B	31,5 kg
1250 mm FRAZ. B/SECT. B	37,5 kg
2050 mm FRAZ. B/SECT. B	61,5 kg
2550 mm FRAZ. B/SECT. B	76,5 kg
3050 mm FRAZ. B/SECT. B	91,5 kg
4050 mm FRAZ. B/SECT. B	121,5 kg

3153

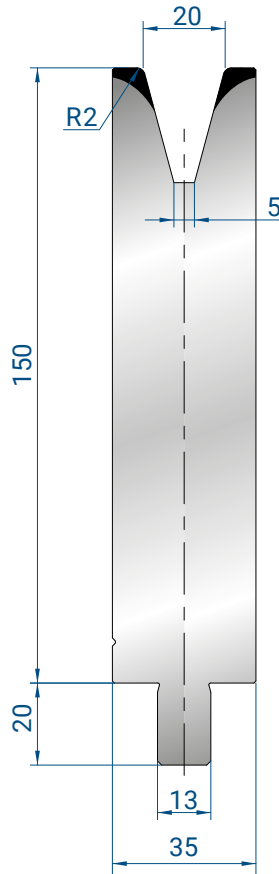
Mat = C45
Max T/m = 50
 $\alpha = 30^\circ$



25-30 mm	1,4 kg
35-40	
45-50	
100 mm	3,6kg
200 mm	7,2 kg
300 mm	10,8 kg
500 mm	18,0 kg
550 mm FRAZ. /SECT.	18,0 kg
1050 mm FRAZ. B/SECT. B	37,8 kg
1250 mm FRAZ. B/SECT. B	45,0 kg
2050 mm FRAZ. B/SECT. B	73,8 kg
2550 mm FRAZ. B/SECT. B	91,8 kg
3050 mm FRAZ. B/SECT. B	109,8 kg
4050 mm FRAZ. B/SECT. B	145,8 kg

3154

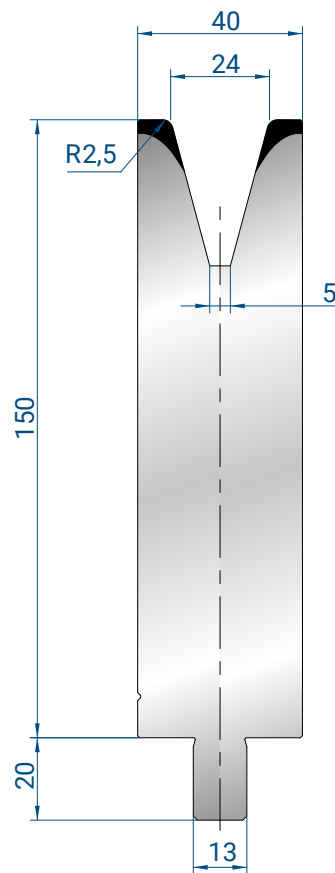
Mat = C45
Max T/m = 45
 $\alpha = 30^\circ$



25-30 mm	1,6 kg
35-40	
45-50	
100 mm	4,0 kg
200 mm	8,0 kg
300 mm	12,0 kg
500 mm	20,0 kg
550 mm FRAZ. /SECT.	22,0 kg
1050 mm FRAZ. B/SECT. B	42,0 kg
1250 mm FRAZ. B/SECT. B	50,0 kg
2050 mm FRAZ. B/SECT. B	82,0 kg
2550 mm FRAZ. B/SECT. B	102,0 kg
3050 mm FRAZ. B/SECT. B	122,0 kg
4050 mm FRAZ. B/SECT. B	162,0 kg

3155

Mat = C45
Max T/m = 50
 $\alpha = 30^\circ$



25-30 mm	1,7 kg
35-40	
45-50	
100 mm	4,4 kg
200 mm	8,8 kg
300 mm	13,2 kg
500 mm	22,0 kg
550 mm FRAZ. /SECT.	22,0 kg
1050 mm FRAZ. B/SECT. B	46,2 kg
1250 mm FRAZ. B/SECT. B	55,0 kg
2050 mm FRAZ. B/SECT. B	90,2 kg
2550 mm FRAZ. B/SECT. B	112,2 kg
3050 mm FRAZ. B/SECT. B	134,2 kg
4050 mm FRAZ. B/SECT. B	178,2 kg

3156

Mat = C45
Max T/m = 50
 $\alpha = 30^\circ$



ACCESSORIO PIEGASCHIACCIA FLATTENING HEMMING TOOLS ACCESSORY



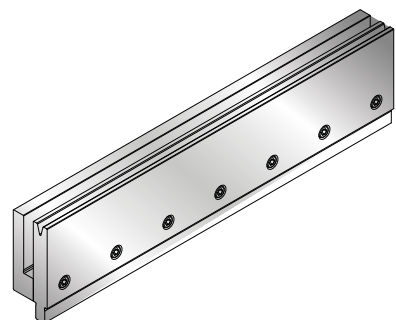
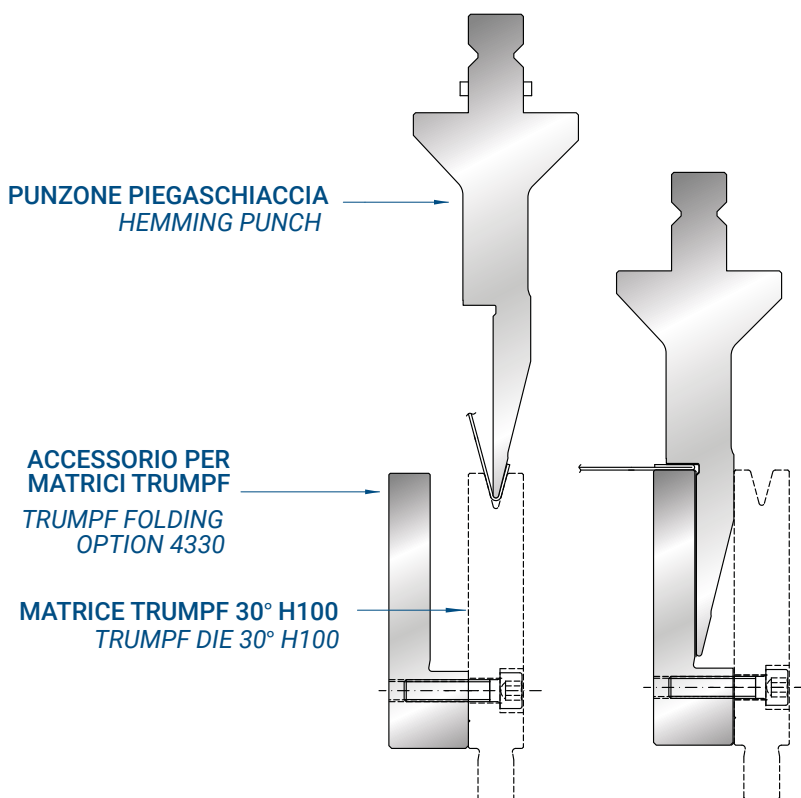
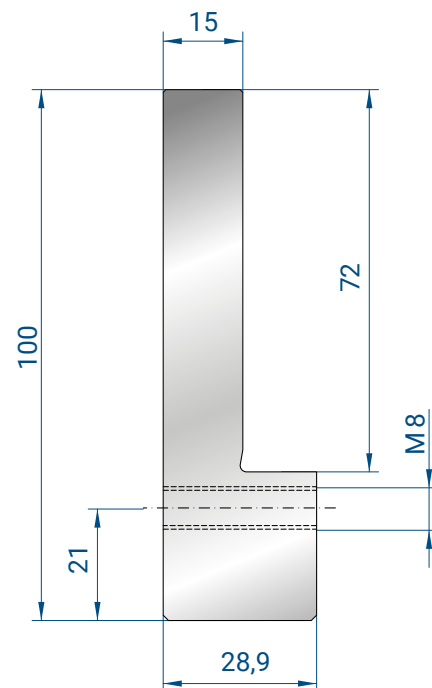
25-30 mm	1,0 kg
35-40	
45-50	
100 mm	2,6 kg
200 mm	5,2 kg
300 mm	7,8 kg
500 mm	13,0 kg
550 mm FRAZ. /SECT.	13,0 kg
1050 mm FRAZ. B/SECT. B	27,3 kg
1250 mm FRAZ. B/SECT. B	32,5 kg
2050 mm FRAZ. B/SECT. B	53,3 kg
2550 mm FRAZ. B/SECT. B	55,3 kg
3050 mm FRAZ. B/SECT. B	79,3 kg
4050 mm FRAZ. B/SECT. B	105,3 kg

4330

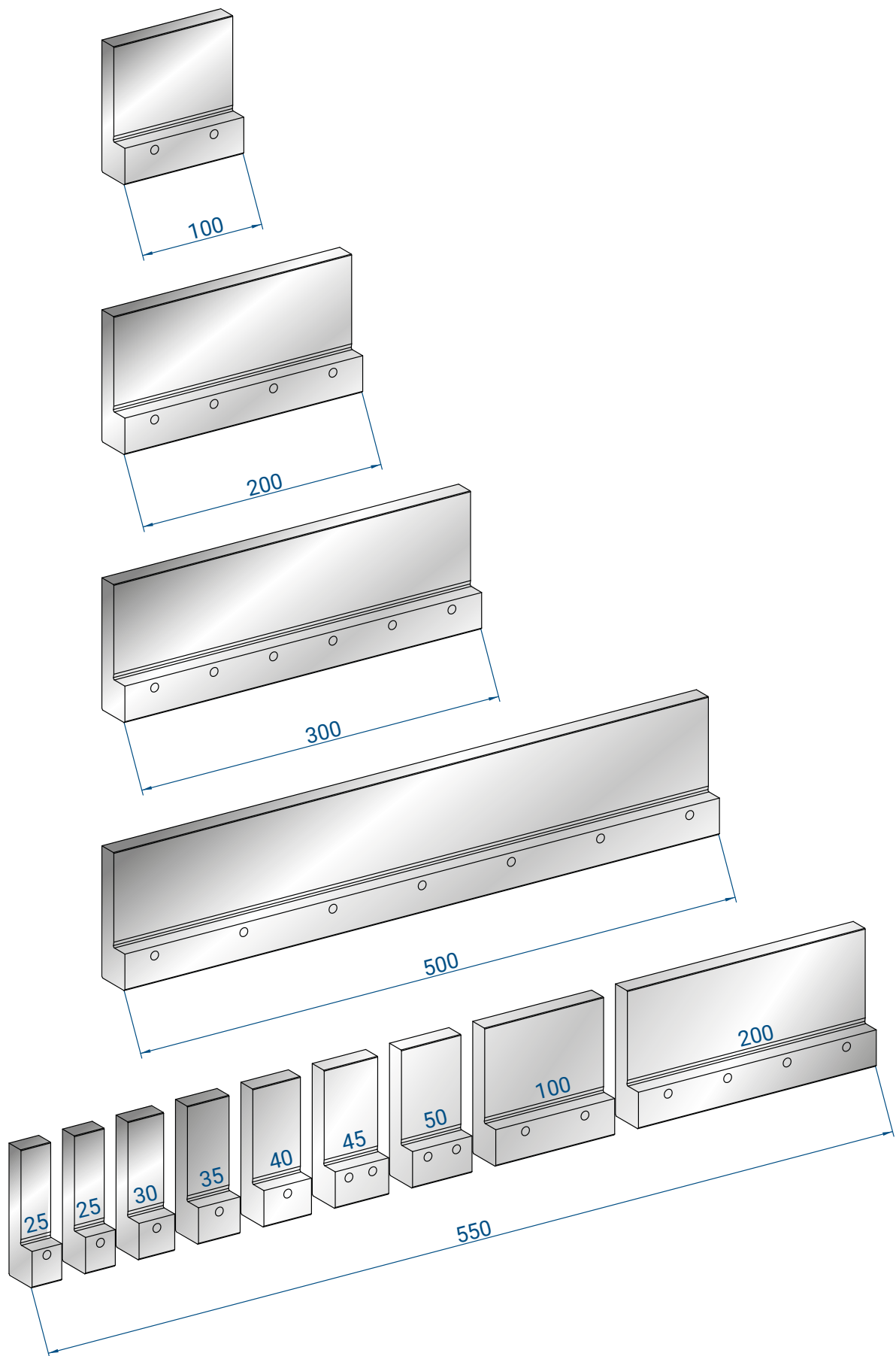
Mat = C45

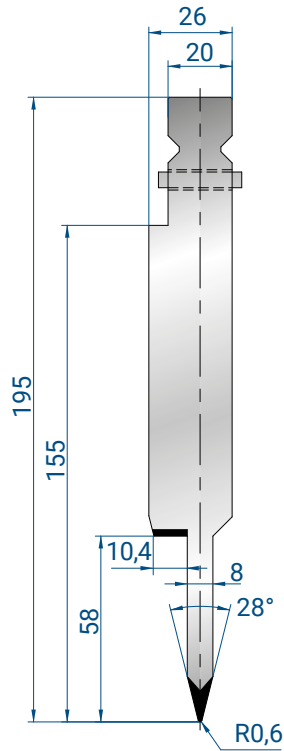
Max T/m = 40

$\alpha = 30^\circ$



TRUMPF STYLE



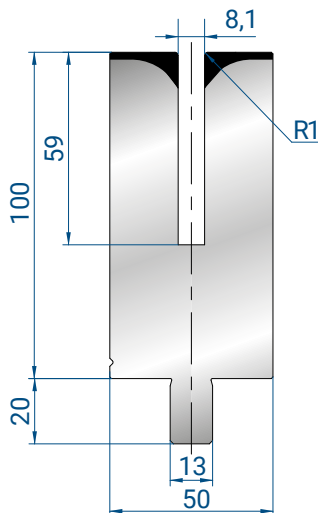
**1249**

Mat = C45
 bonificato / *tempered*
Max T/m = 80

500mm	14,0 kg
550 mm PRAZ./SECT.	14,0 kg

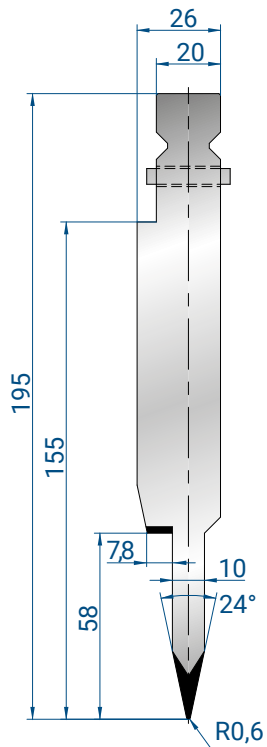
Spessore / Thickness

Max 1,2 mm
 Ferro / *Mild steel*

**3157**

Mat = C45
 bonificato / *tempered*
Max T/m = 50

500mm	21,0 kg
550 mm PRAZ./SECT.	21,0 kg



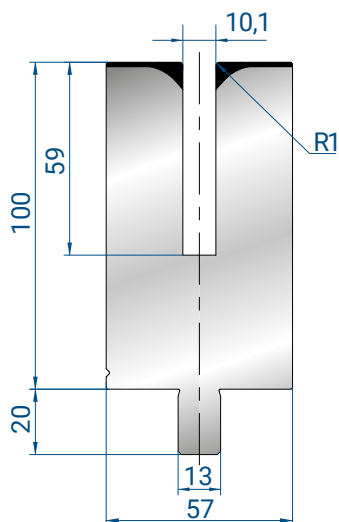
1250

Mat = C45
 bonificato / *tempered*
Max T/m = 50

500mm	14,0 kg
550 mm FRAZ. /SECT.	14,0 kg

Spessore / Thickness

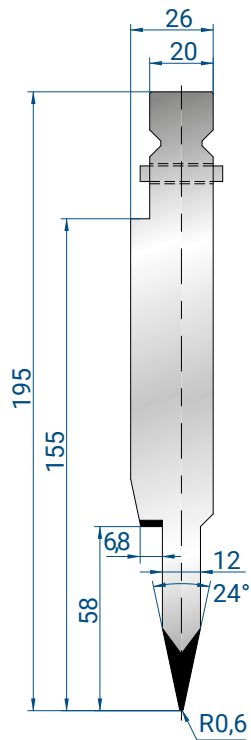
Max 1,5 mm
 Ferro / *Mild steel*



3174

Mat = C45
 bonificato / *tempered*
Max T/m = 50

500mm	20,0 kg
550 mm FRAZ. /SECT.	20,0 kg

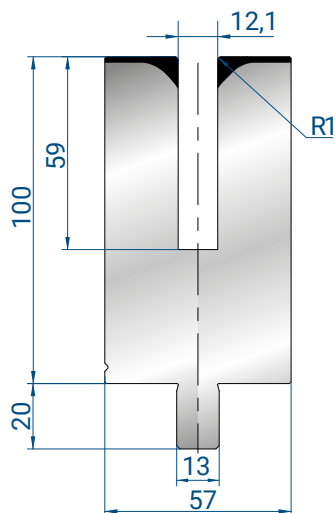
**1251**

Mat = C45
 bonificato / *tempered*
Max T/m = 50

500mm	15,0 kg
550 mm FRAZ. /SECT.	15,0 kg

Spessore / Thickness

Max 1,5 mm
 Ferro / *Mild steel*

**3175**

Mat = C45
 bonificato / *tempered*
Max T/m = 50

500mm	20,0 kg
550 mm FRAZ. /SECT.	20,0 kg



WILA STYLE

Gli utensili superiori e inferiori elencati in questa sezione possono essere installati sulle piegatrici:

Trumpf, LVD , Darley, Safan e su altre piegatrici equipaggiate con Sistema NSCL.

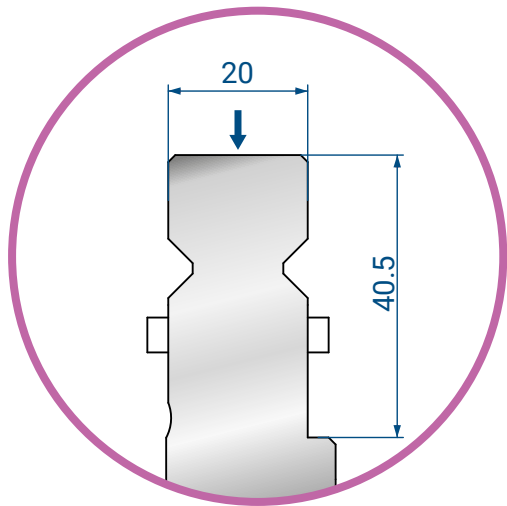
Questi utensili possono essere installati anche su altre piegatrici tramite adattatori superiori e inferiori.

The upper and lower tooling listed in this section could be installed on the following press brakes:

Trumpf, Darley, Safan, and other press brakes equipped with Wila style clamping system.

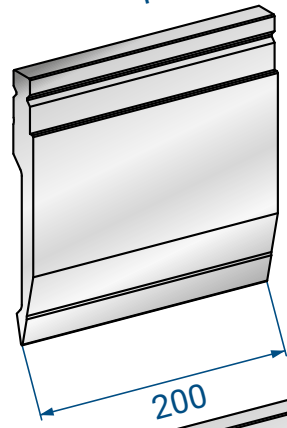
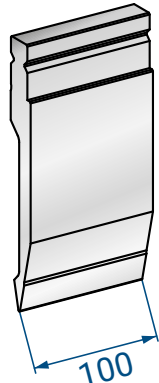
They could even be installed on press brakes equipped with different clamping system by choosing the appropriate upper and lower adapters.



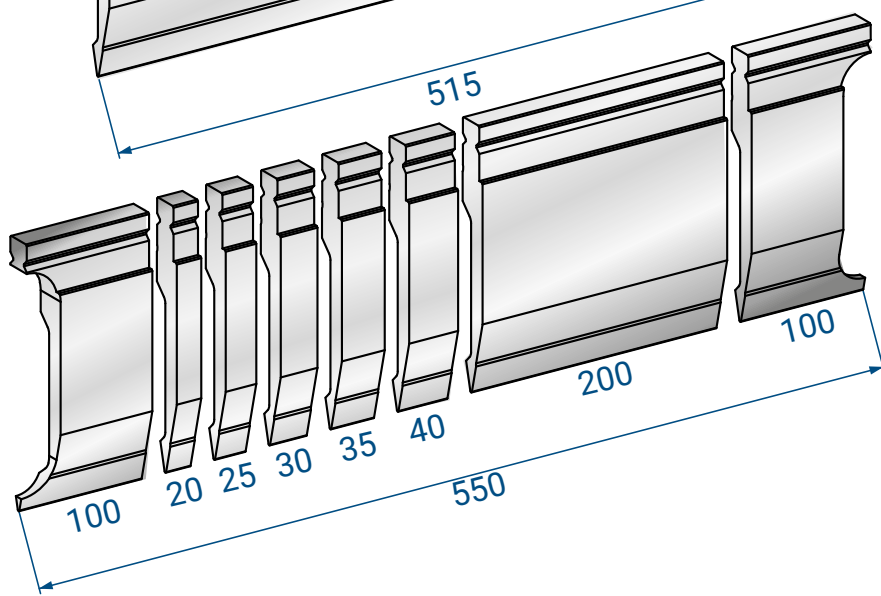
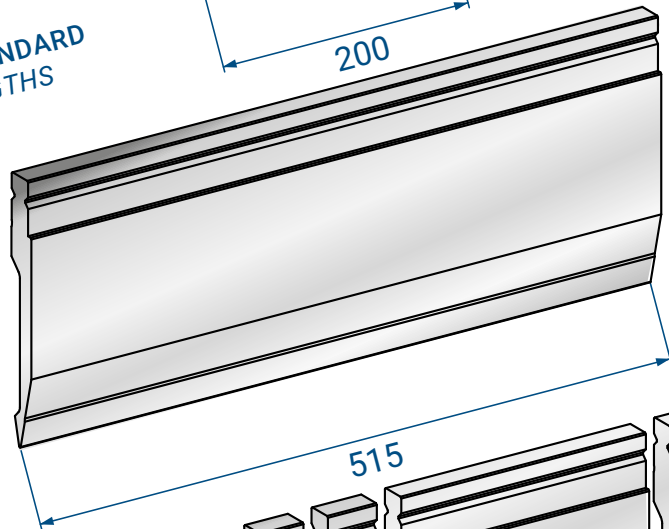


IL PULSANTE DI SICUREZZA VIENE MONTATO STANDARD SU TUTTI GLI UTENSILI CON PESO FINO A 12,5 KG

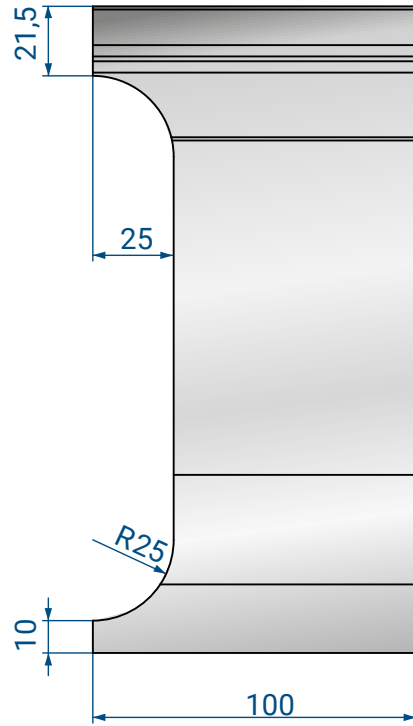
THE SAFETY BUTTON IS A STANDARD SUPPLY ON ALL TOOLING UP TO 12.5 KG WEIGH



LUNGHEZZE STANDARD
STANDARD LENGTHS

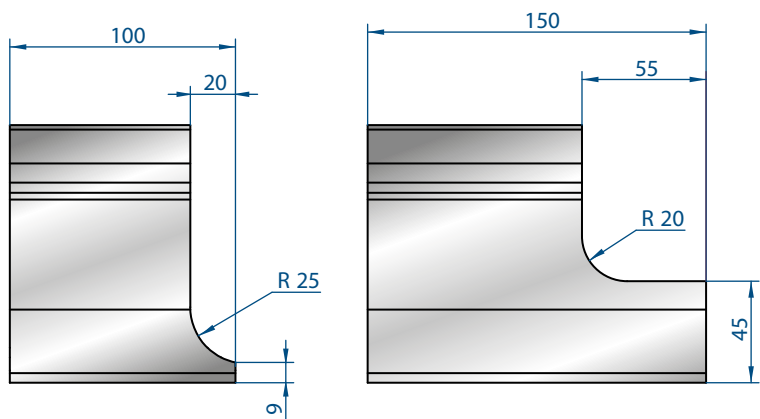


FRESATURA SCARPETTA
MILLED HORN



MODIFICHE A RICHIESTA / MODIFICATIONS ON REQUEST

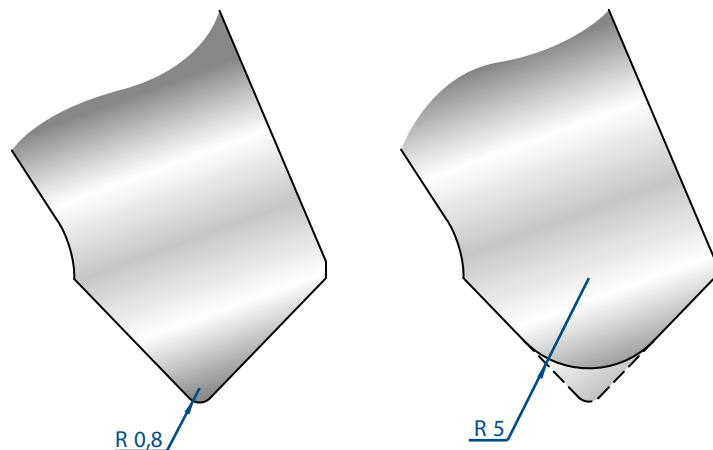
SCARPETTE SPECIALI
SPECIAL HORNS

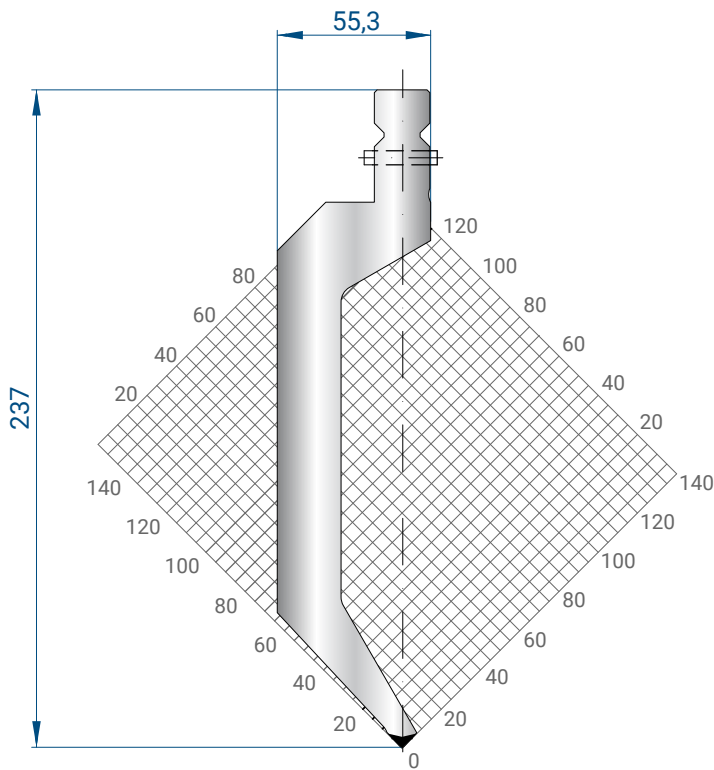


TAGLI A RICHIESTA
SPECIAL SEGMENTATION



MODIFICA RAGGIO
RADIUS MODIFICATION

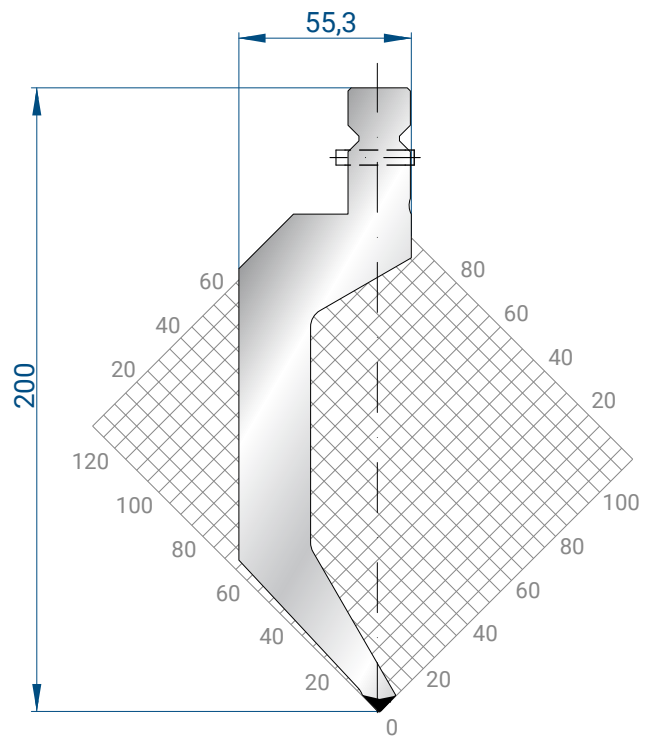




1324

Mat = 42 CrMo4
 bonificato / tempered
H = 237.00
Max T/m = 65
 α = 86°
R = 1

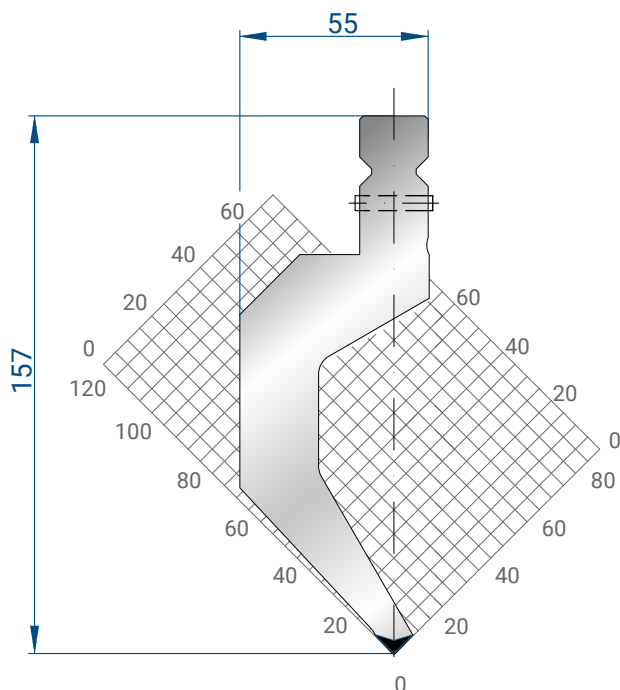
515 mm	22,5 kg
200 mm	8,7 kg
100 mm	4,4 kg
550 mm FRAZ. / SECT.	22,3 kg



1323

Mat = 42 CrMo4
 bonificato / tempered
H = 200.00
Max T/m = 65
 α = 86°
R = 1

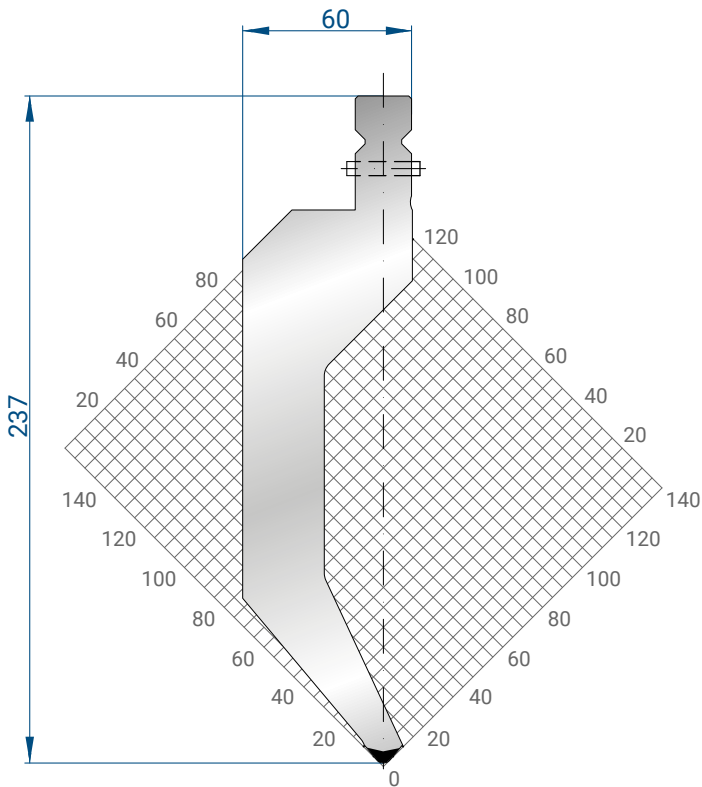
515 mm	19,1 kg
200 mm	7,4 kg
100 mm	3,7 kg
550 mm FRAZ. / SECT.	19,0 kg



1328

Mat = 42 CrMo4
 bonificato / tempered
H = 157.00
Max T/m = 70
 α = 86°
R = 1

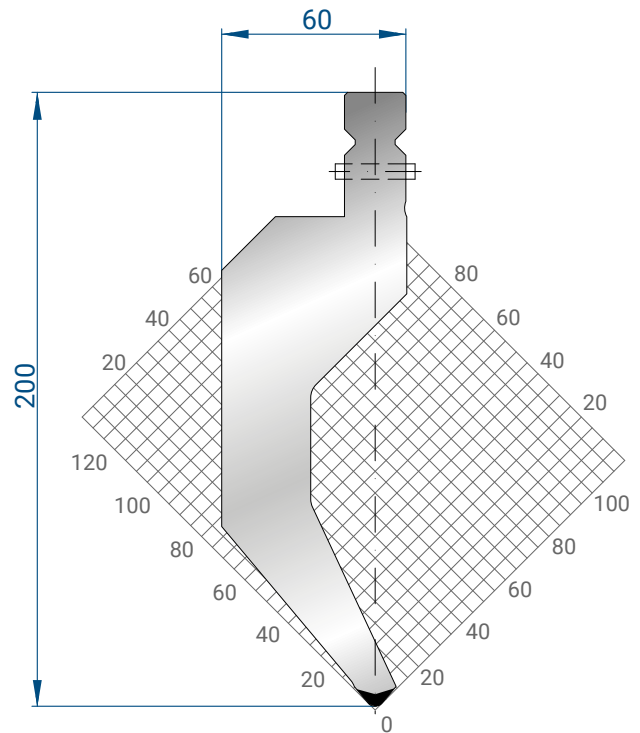
515 mm	15,0 kg
200 mm	5,8 kg
100 mm	2,9 kg
550 mm FRAZ. / SECT.	14,9 kg



1333

Mat = 42 CrMo4
 bonificato / *tempered*
H = 237.00
Max T/m = 100
 α = 80°
R = 3

515 mm	28,9 kg
200 mm	11,2 kg
100 mm	5,6 kg
550 mm FRAZ. / SECT.	28,4 kg

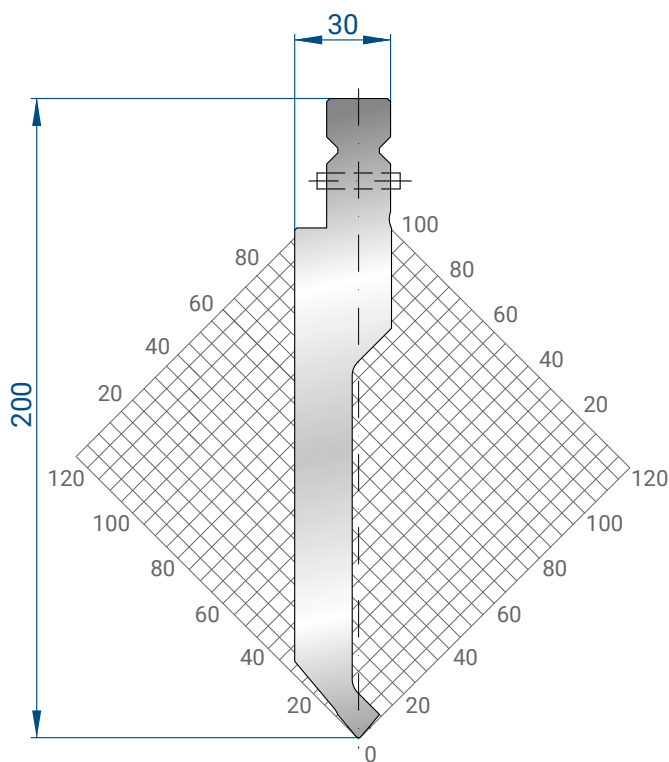


1332

Mat = 42 CrMo4
 bonificato / *tempered*
H = 200.00
Max T/m = 100
 α = 80°
R = 3

515 mm	24,6 kg
200 mm	9,6 kg
100 mm	4,8 kg
550 mm FRAZ. / SECT.	24,1 kg

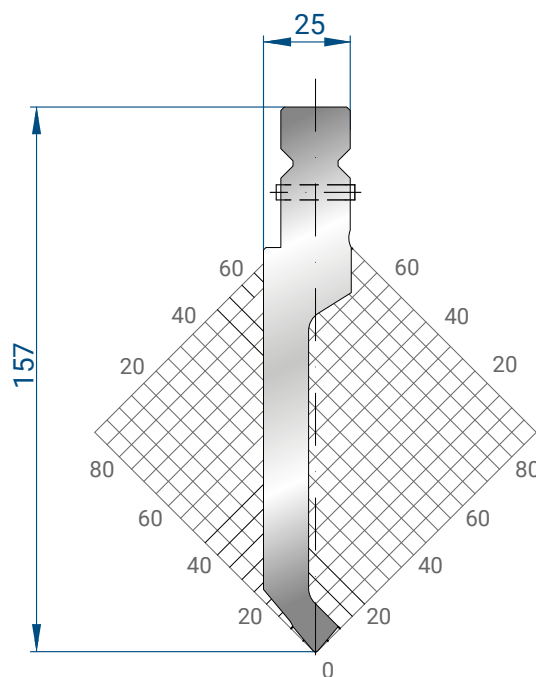




1330

Mat = 42 CrMo4
 bonificato / *tempered*
H = 200.00
Max T/m = 80
 α = 80°
R = 1

515 mm	16,0 kg
200 mm	6,2 kg
100 mm	3,1 kg
550 mm FRAZ. / SECT.	15,8 kg

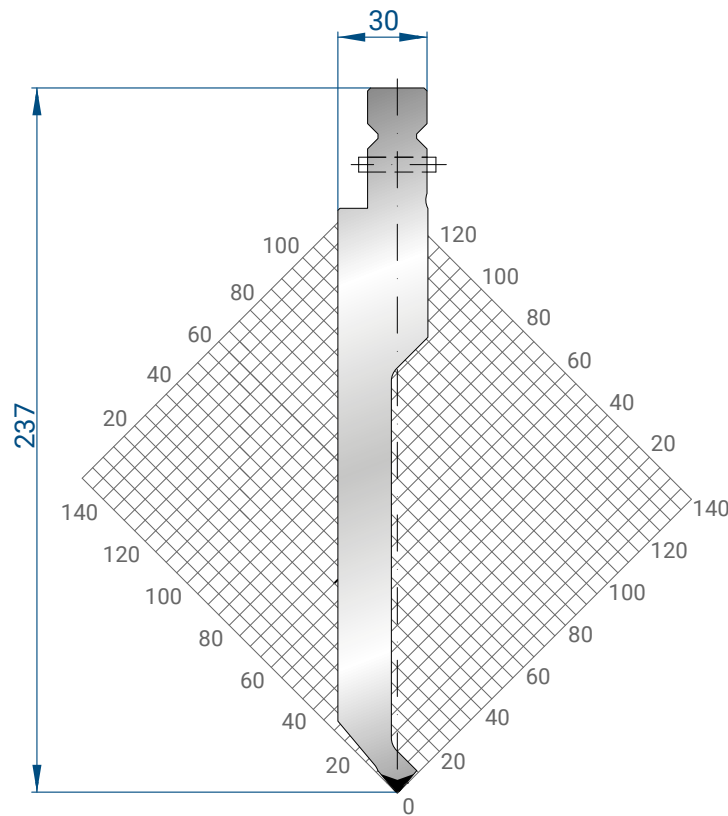


1329

Mat = 42 CrMo4
 bonificato / *tempered*
H = 157.00
Max T/m = 100
 α = 80°
R = 1

515 mm	9,9 kg
200 mm	3,8 kg
100 mm	1,9 kg
550 mm FRAZ. / SECT.	9,8 kg



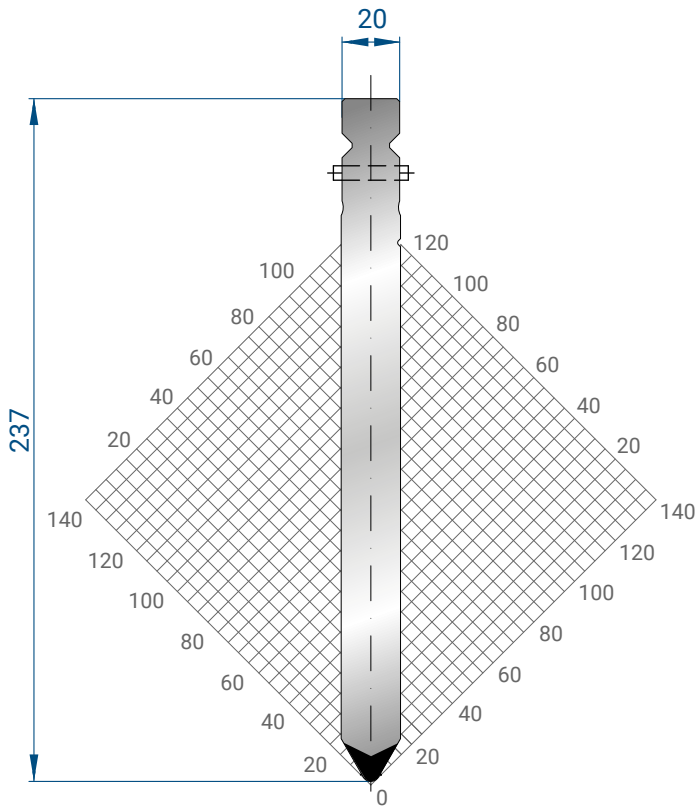


1331

Mat = 42 CrMo4
 bonificato / *tempered*
H = 237.00
Max T/m = 80
 α = 80°
R = 1

515 mm	19,3 kg
200 mm	7,5 kg
100 mm	3,7 kg
550 mm FRAZ. / SECT.	17,6 kg

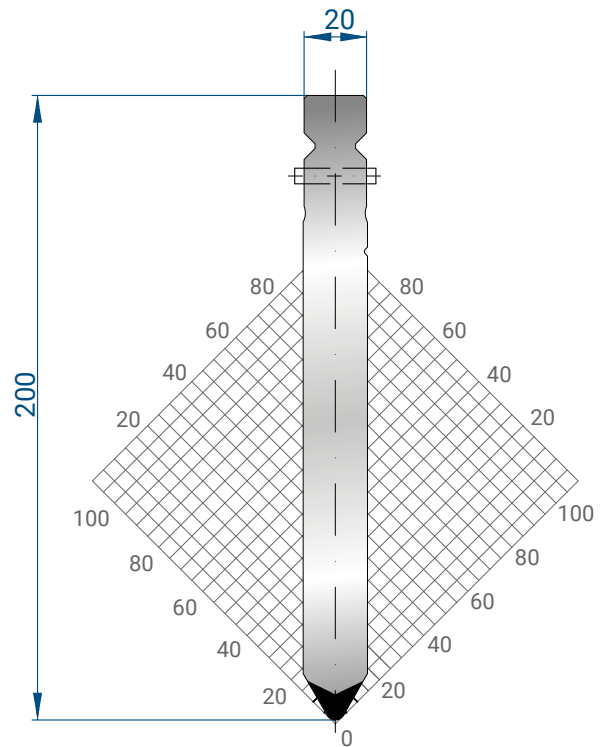




1336

Mat = 42 CrMo4
 bonificato / tempered
H = 237.00
Max T/m = 160
 α = 60°
R = 3

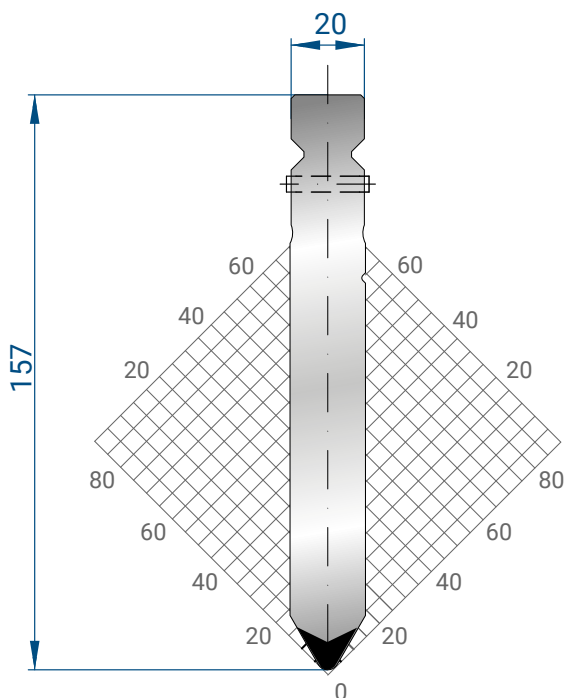
515 mm	19,0 kg
200 mm	7,4 kg
100 mm	3,7 kg
550 mm FRAZ. / SECT.	18,7 kg



1335

Mat = 42 CrMo4
 bonificato / tempered
H = 200.00
Max T/m = 160
 α = 60°
R = 3

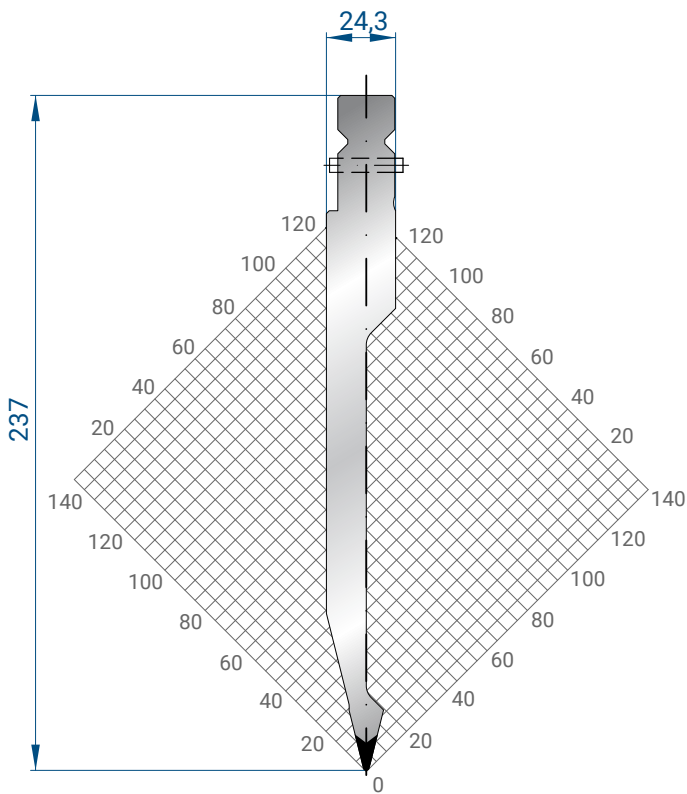
515 mm	15,9 kg
200 mm	6,2 kg
100 mm	3,1 kg
550 mm FRAZ. / SECT.	15,7 kg



1334

Mat = 42 CrMo4
 bonificato / tempered
H = 157.00
Max T/m = 160
 α = 60°
R = 3

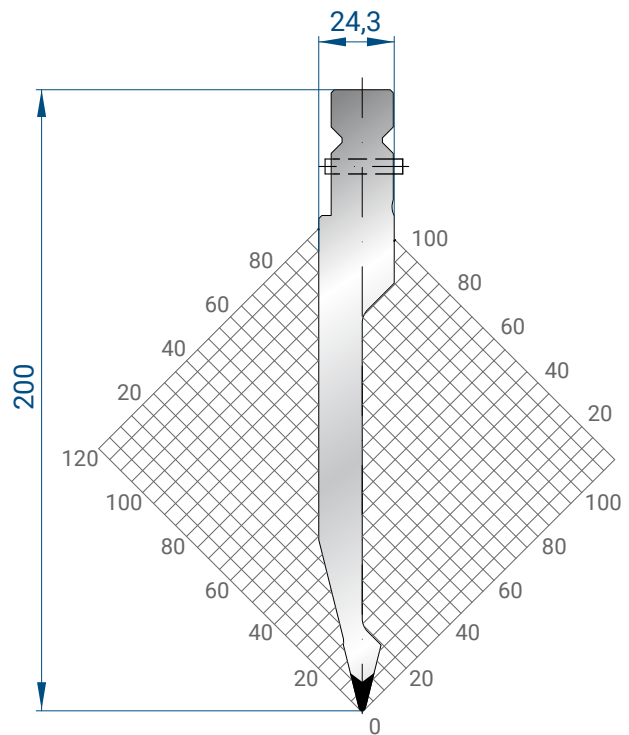
515 mm	12,3 kg
200 mm	4,8 kg
100 mm	2,4 kg
550 mm FRAZ. / SECT.	12,2 kg



1327

Mat = 42 CrMo4
 bonificato / tempered
H = 237.00
Max T/m = 80
 α = 28°
R = 1

515 mm	14,7 kg
200 mm	5,7 kg
100 mm	2,9 kg
550 mm FRAZ. / SECT.	14,7 kg

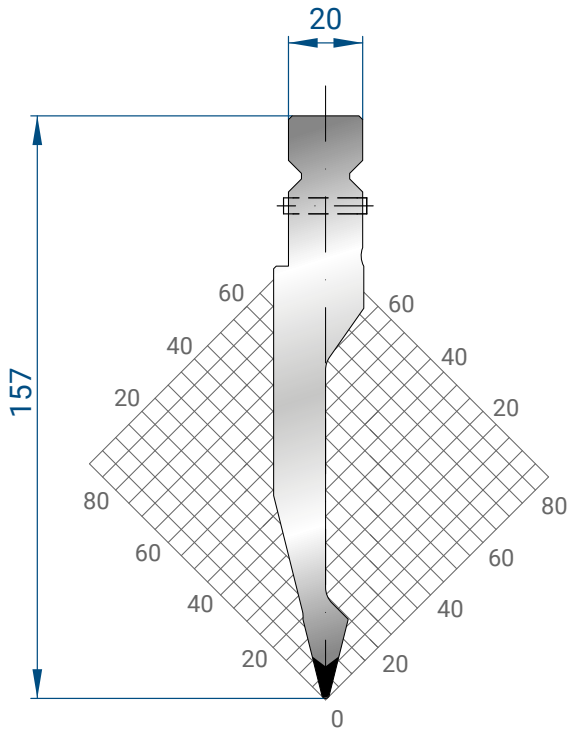


1326

Mat = 42 CrMo4
 bonificato / tempered
H = 200.00
Max T/m = 80
 α = 28°
R = 1

515 mm	12,1 kg
200 mm	4,8 kg
100 mm	2,4 kg
550 mm FRAZ. / SECT.	12,1 kg

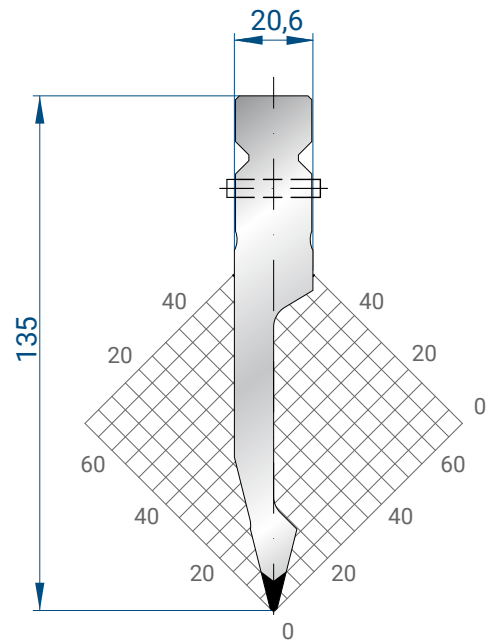




1337

Mat = 42 CrMo4
 bonificato / *tempered*
H = 157.00
Max T/m = 100
 α = 28°
R = 1

515 mm	9,4 kg
200 mm	3,7 kg
100 mm	1,8 kg
550 mm FRAZ. / SECT.	9,4 kg



1325

Mat = 42 CrMo4
 bonificato / *tempered*
H = 135.00
Max T/m = 100
 α = 28°
R = 1

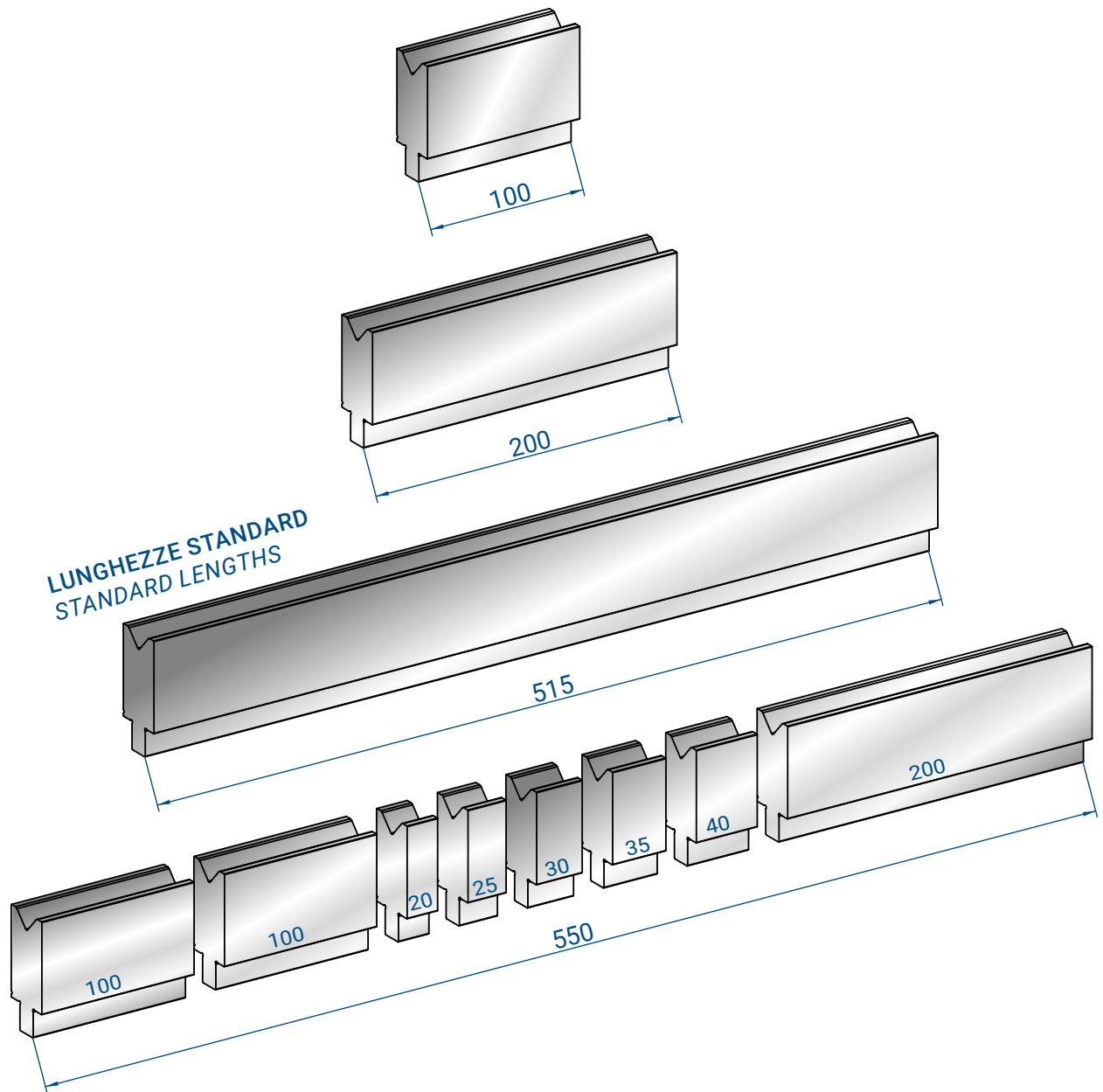
515 mm	7,2 kg
200 mm	2,8 kg
100 mm	1,4 kg
550 mm FRAZ. / SECT.	7,3 kg

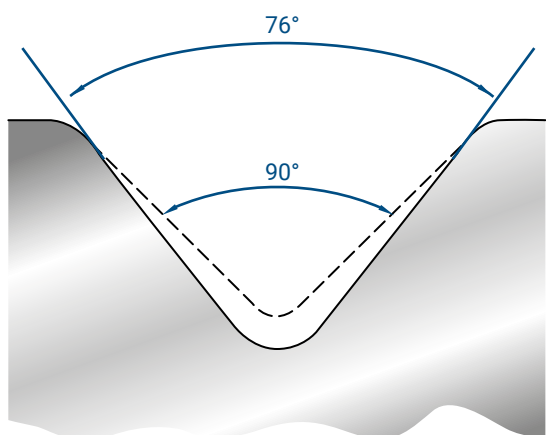




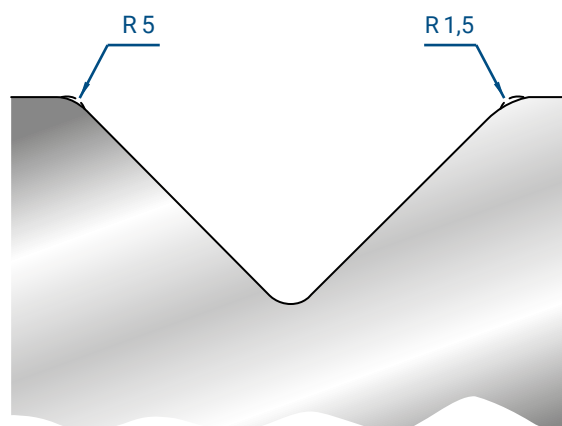
WILA STYLE





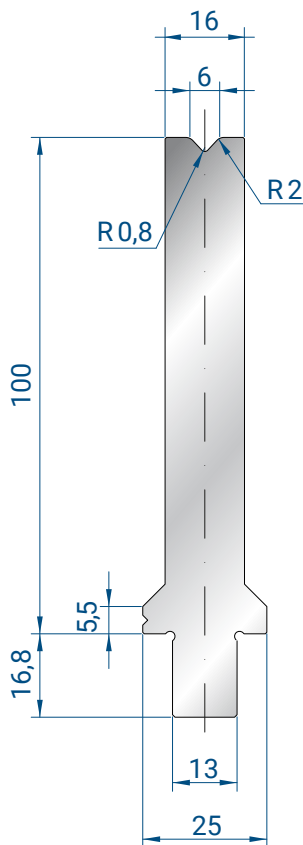


MODIFICA ANGOLO
ANGLE MODIFICATION



MODIFICA RAGGIO
RADIUS MODIFICATION

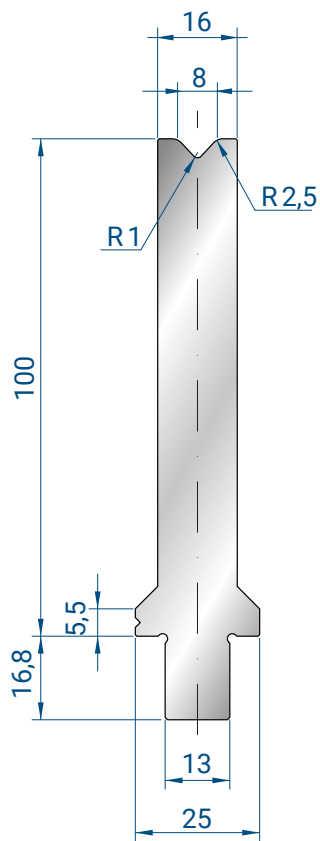




3270

Mat = 42 CrMo4
 bonificato / *tempered*
H = 100.00
Max T/m = 120
 α = 86°

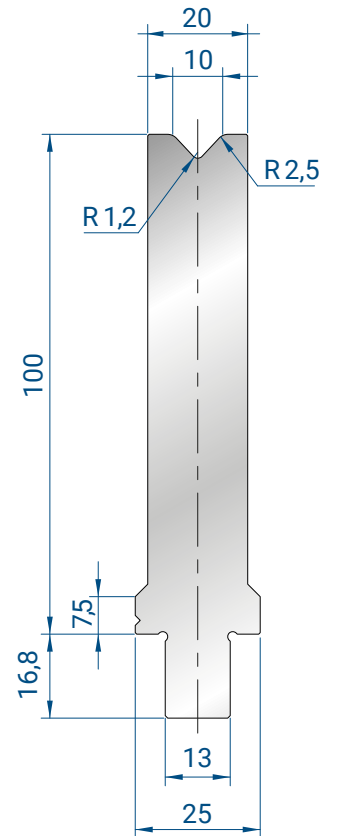
515 mm	7,6 kg
200 mm	3,0 kg
100 mm	1,5 kg
550 mm	8,1 kg
FRAZ. / SECT	



3271

Mat = 42 CrMo4
 bonificato / *tempered*
H = 100.00
Max T/m = 120
 α = 86°

515 mm	7,6 kg
200 mm	3,0 kg
100 mm	1,5 kg
550 mm	8,1 kg
FRAZ. / SECT	

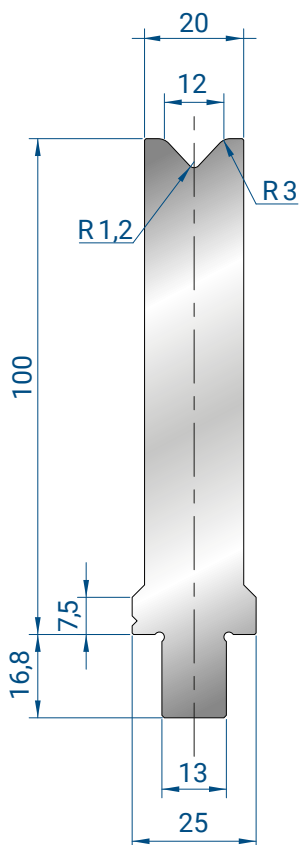


3272

Mat = 42 CrMo4
 bonificato / *tempered*
H = 100.00
Max T/m = 120
 α = 86°

515 mm	9,0 kg
200 mm	3,6 kg
100 mm	1,8 kg
550 mm	9,6 kg
FRAZ. / SECT	

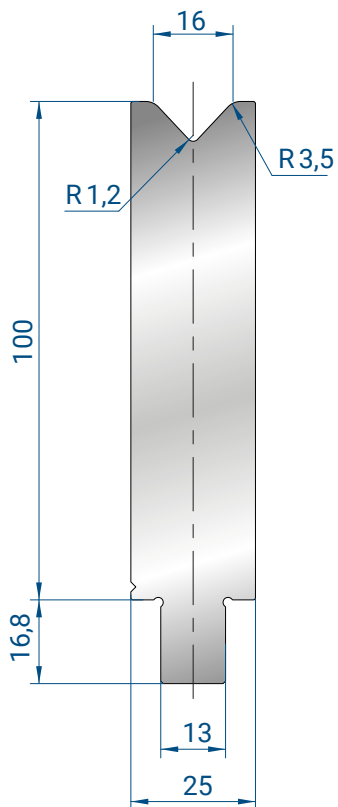




3273

Mat = 42 CrMo4
 bonificato / *tempered*
H = 100.00
Max T/m = 120
 $\alpha = 86^\circ$

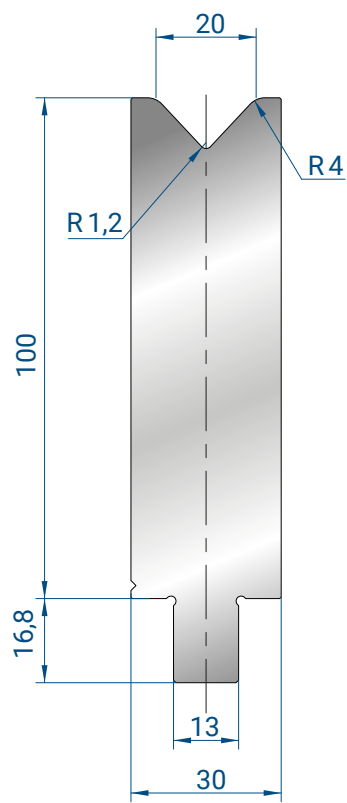
515 mm	9,0 kg
200 mm	3,6 kg
100 mm	1,8 kg
550 mm	9,6 kg
FRAZ. / SECT	



3274

Mat = 42 CrMo4
 bonificato / *tempered*
H = 100.00
Max T/m = 120
 $\alpha = 86^\circ$

515 mm	10,7 kg
200 mm	4,2 kg
100 mm	2,1 kg
550 mm	11,4 kg
FRAZ. / SECT	

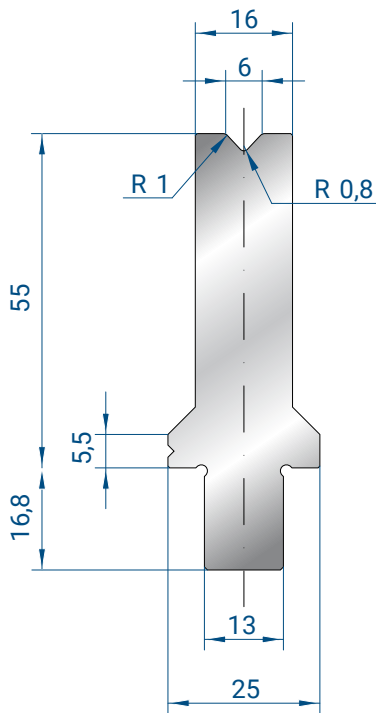


3275

Mat = 42 CrMo4
 bonificato / *tempered*
H = 100.00
Max T/m = 120
 $\alpha = 86^\circ$

515 mm	12,6 kg
200 mm	4,8 kg
100 mm	2,4 kg
550 mm	13,4 kg
FRAZ. / SECT	

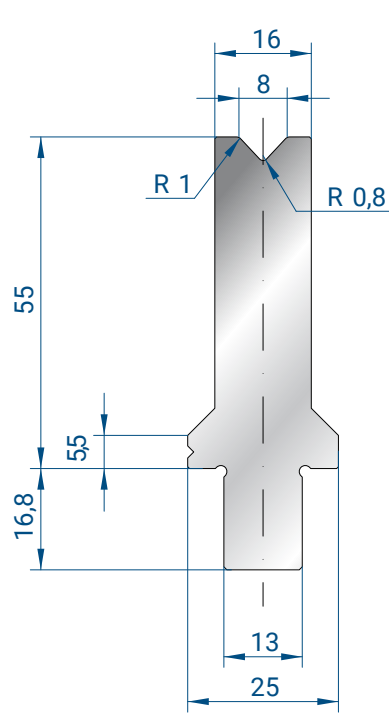




3250

Mat = 42 CrMo4
 bonificato / *tempered*
H = 55.00
Max T/m = 120
 α = 86°

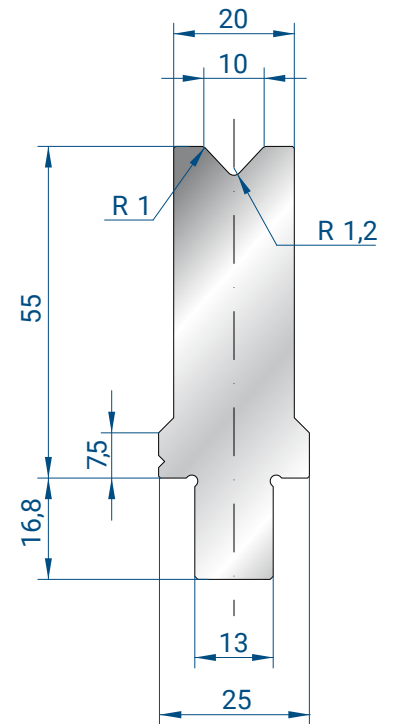
515 mm	4,7 kg
200 mm	1,8 kg
100 mm	0,9 kg
550 mm	5,0 kg
FRAZ. / SECT	



3251

Mat = 42 CrMo4
 bonificato / *tempered*
H = 55.00
Max T/m = 120
 α = 86°

515 mm	4,6 kg
200 mm	1,8 kg
100 mm	0,9 kg
550 mm	4,9 kg
FRAZ. / SECT	

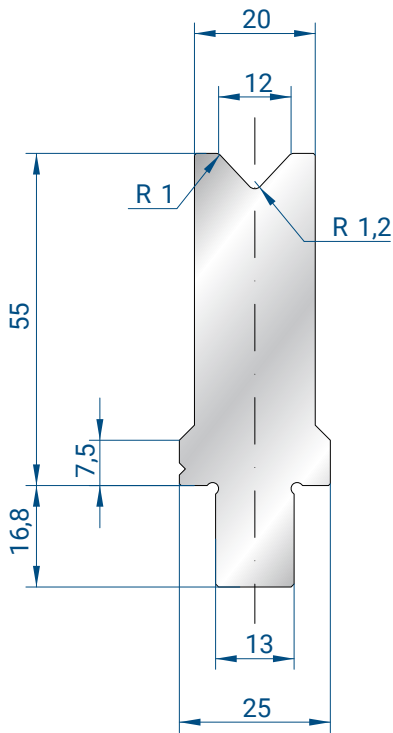


3252

Mat = 42 CrMo4
 bonificato / *tempered*
H = 55.00
Max T/m = 120
 α = 86°

515 mm	5,4 kg
200 mm	2,0 kg
100 mm	1,0 kg
550 mm	5,7 kg
FRAZ. / SECT	

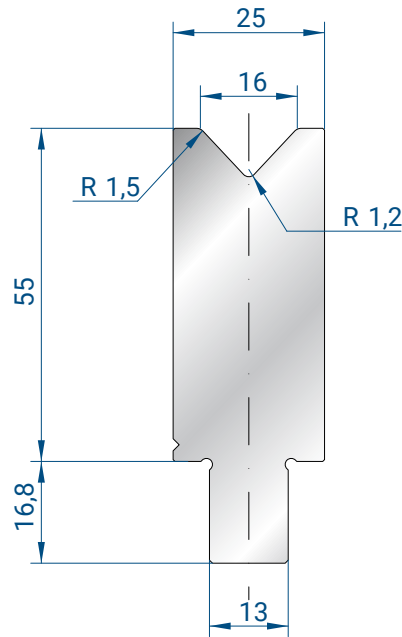




3253

Mat = 42 CrMo4
 bonificato / tempered
H = 55.00
Max T/m = 120
 α = 86°

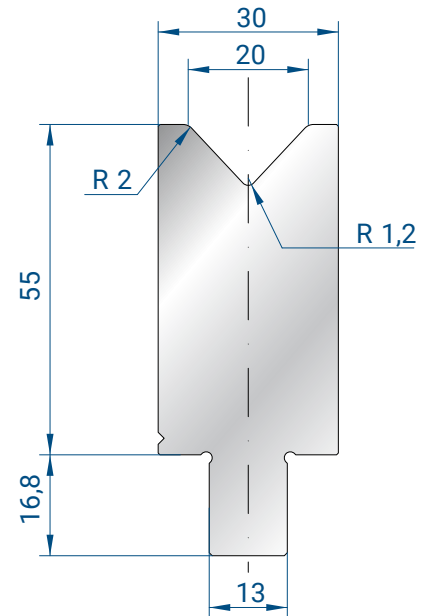
515 mm	5,3 kg
200 mm	2,0 kg
100 mm	1,0 kg
550 mm	5,7 kg
FRAZ. / SECT	



3254

Mat = 42 CrMo4
 bonificato / tempered
H = 55.00
Max T/m = 120
 α = 86°

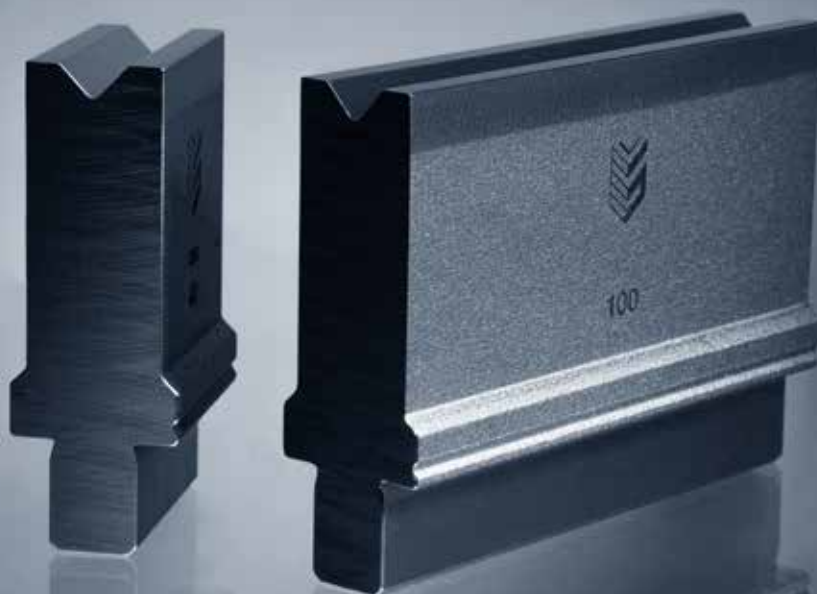
515 mm	6,1 kg
200 mm	2,4 kg
100 mm	1,2 kg
550 mm	6,6 kg
FRAZ. / SECT	

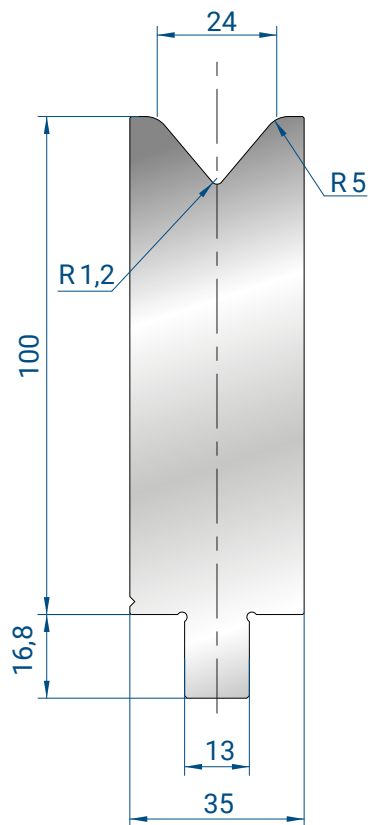


3255

Mat = 42 CrMo4
 bonificato / tempered
H = 55.00
Max T/m = 120
 α = 86°

515 mm	7,1 kg
200 mm	2,8 kg
100 mm	1,4 kg
550 mm	7,7 kg
FRAZ. / SECT	



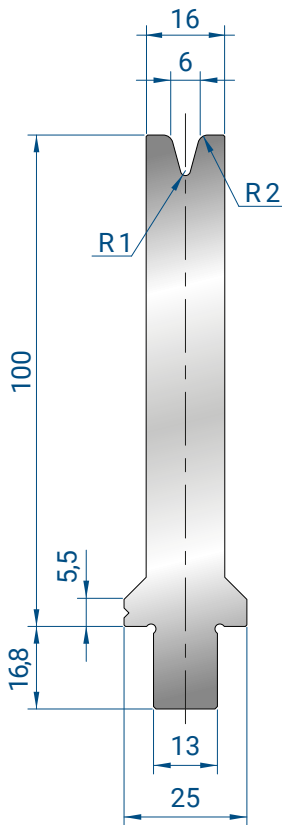


3276

Mat = 42 CrMo4
 bonificato / *tempered*
H = 100.00
Max T/m = 125
α = 80°

515 mm	14,3 kg
200 mm	5,6 kg
100 mm	2,8 kg
550 mm	15,3 kg
FRAZ. / SECT	

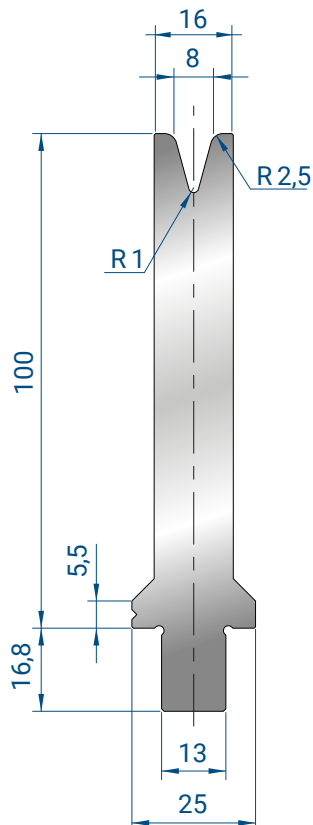




3280

Mat = 42 CrMo4
 bonificato / tempered
H = 100.00
Max T/m = 40
 α = 30°

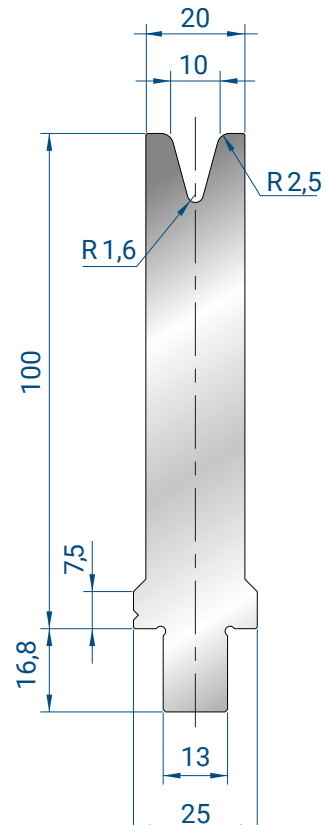
515 mm	7,5 kg
200 mm	2,9 kg
100 mm	1,5 kg
550 mm	8,0 kg
FRAZ. / SECT	



3281

Mat = 42 CrMo4
 bonificato / tempered
H = 100.00
Max T/m = 35
 α = 30°

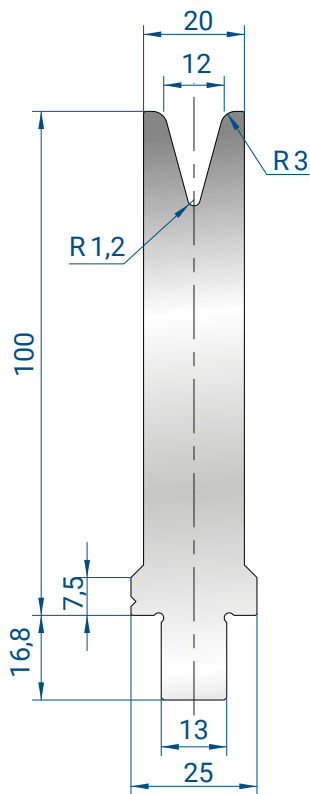
515 mm	7,4 kg
200 mm	2,8 kg
100 mm	1,4 kg
550 mm	7,9 kg
FRAZ. / SECT	



3282

Mat = 42 CrMo4
 bonificato / tempered
H = 100.00
Max T/m = 55
 α = 30°

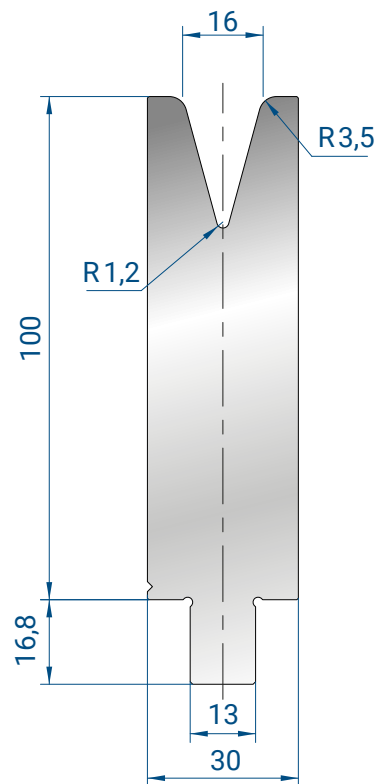
515 mm	8,8 kg
200 mm	3,4 kg
100 mm	1,7 kg
550 mm	9,4 kg
FRAZ. / SECT	



3283

Mat = 42 CrMo4
 bonificato / *tempered*
H = 100.00
Max T/m = 40
 α = 30°

515 mm	8,6 kg
200 mm	3,3 kg
100 mm	1,7 kg
550 mm	9,2 kg
FRAZ. / SECT	

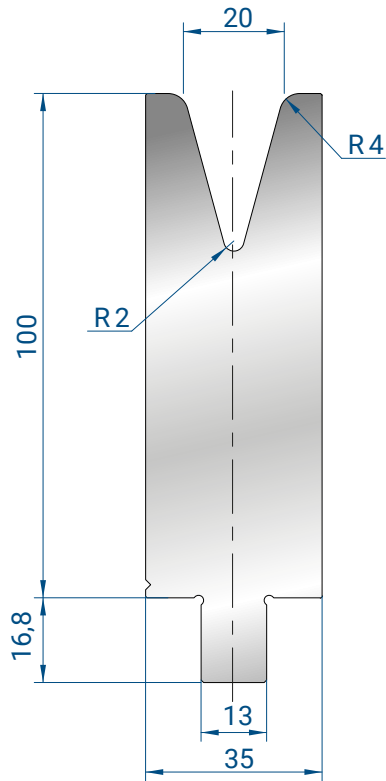


3284

Mat = 42 CrMo4
 bonificato / *tempered*
H = 100.00
Max T/m = 60
 α = 30°

515 mm	12,0 kg
200 mm	4,7 kg
100 mm	2,3 kg
550 mm	12,9 kg
FRAZ. / SECT	

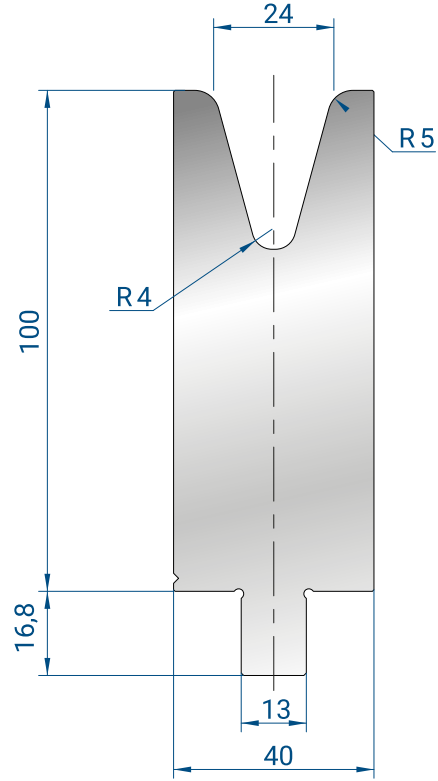




3285

Mat = 42 CrMo4
 bonificato / *tempered*
H = 100.00
Max T/m = 55
 α = 30°

515 mm	13,6 kg
200 mm	5,3 kg
100 mm	2,6 kg
550 mm	14,5 kg
FRAZ. / SECT	

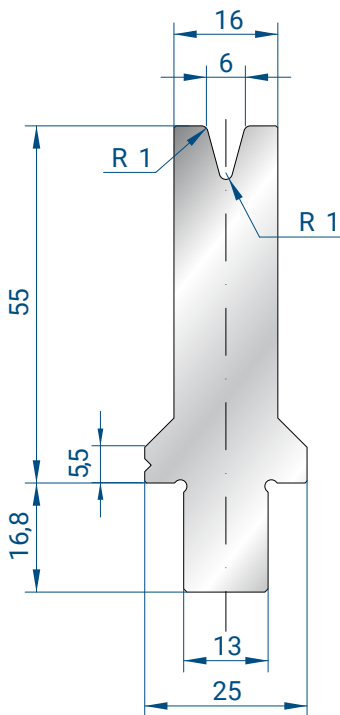


3286

Mat = 42 CrMo4
 bonificato / *tempered*
H = 100.00
Max T/m = 45
 α = 30°

515 mm	15,1 kg
200 mm	5,8 kg
100 mm	2,9 kg
550 mm	16,1 kg
FRAZ. / SECT	

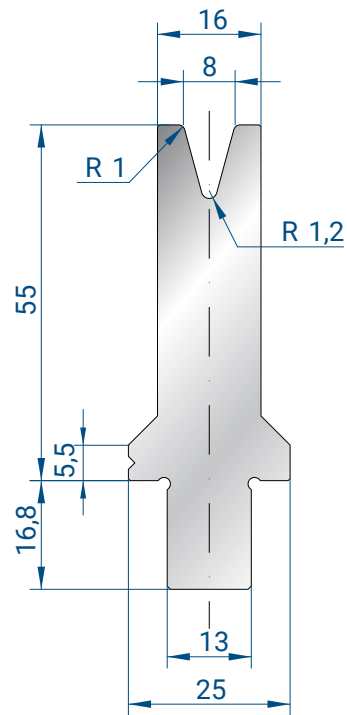




3260

Mat = 42 CrMo4
 bonificato / *tempered*
H = 55.00
Max T/m = 40
 α = 30°

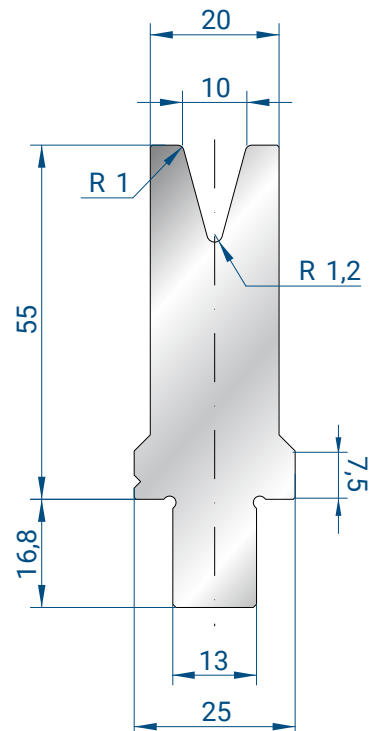
515 mm	4,6 kg
200 mm	1,8 kg
100 mm	0,9 kg
550 mm	4,9 kg
FRAZ. / SECT	



3261

Mat = 42 CrMo4
 bonificato / *tempered*
H = 55.00
Max T/m = 35
 α = 30°

515 mm	4,5 kg
200 mm	1,8 kg
100 mm	0,9 kg
550 mm	4,8 kg
FRAZ. / SECT	

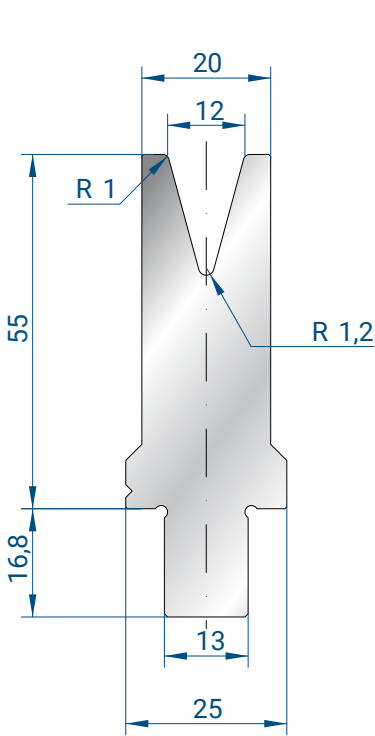


3262

Mat = 42 CrMo4
 bonificato / *tempered*
H = 55.00
Max T/m = 55
 α = 30°

515 mm	5,1 kg
200 mm	2,0 kg
100 mm	1,0 kg
550 mm	5,5 kg
FRAZ. / SECT	

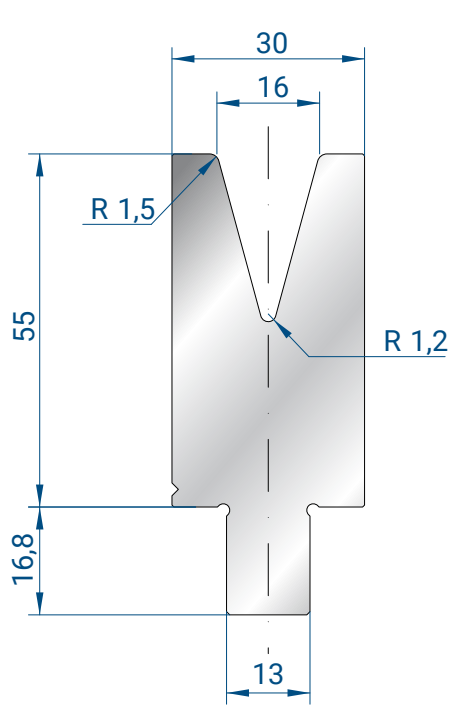




3263

Mat = 42 CrMo4
bonificato / *tempered*
H = 55.00
Max T/m = 40
α = 30°

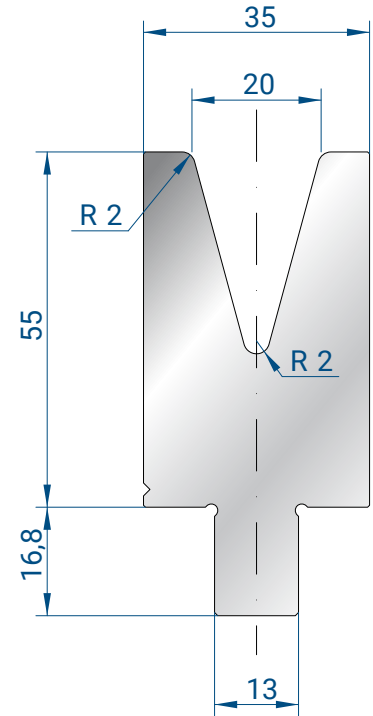
515 mm	5,0 kg
200 mm	2,0 kg
100 mm	1,0 kg
550 mm	5,3 kg
FRAZ. / SECT	



3264

Mat = 42 CrMo4
bonificato / *tempered*
H = 55.00
Max T/m = 60
α = 30°

515 mm	6,6 kg
200 mm	2,6 kg
100 mm	1,3 kg
550 mm	7,0 kg
FRAZ. / SECT	



3265

Mat = 42 CrMo4
bonificato / *tempered*
H = 55.00
Max T/m = 55
α = 30°

515 mm	7,2 kg
200 mm	2,8 kg
100 mm	1,4 kg
550 mm	7,7 kg
FRAZ. / SECT	



BYSTRONIC STYLE

Gli utensili superiori e inferiori elencati in questa sezione possono essere installati sulle piegatrici Bystronic/Beyeler dotate dei seguenti stili di connessione:

Bystronic/Beyeler Type RFA
Bystronic/Beyeler Type RF
Bystronic/Beyeler Type R

Questi utensili possono essere installati anche su altre piegatrici tramite adattatori superiori e inferiori.

Upper and lower tooling listed on this section could be installed on the Bystronic/Beyeler press brakes equipped with the following clamping styles:

*Bystronic/Beyeler Type RFA
Bystronic/Beyeler Type RF
Bystronic/Beyeler Type R*

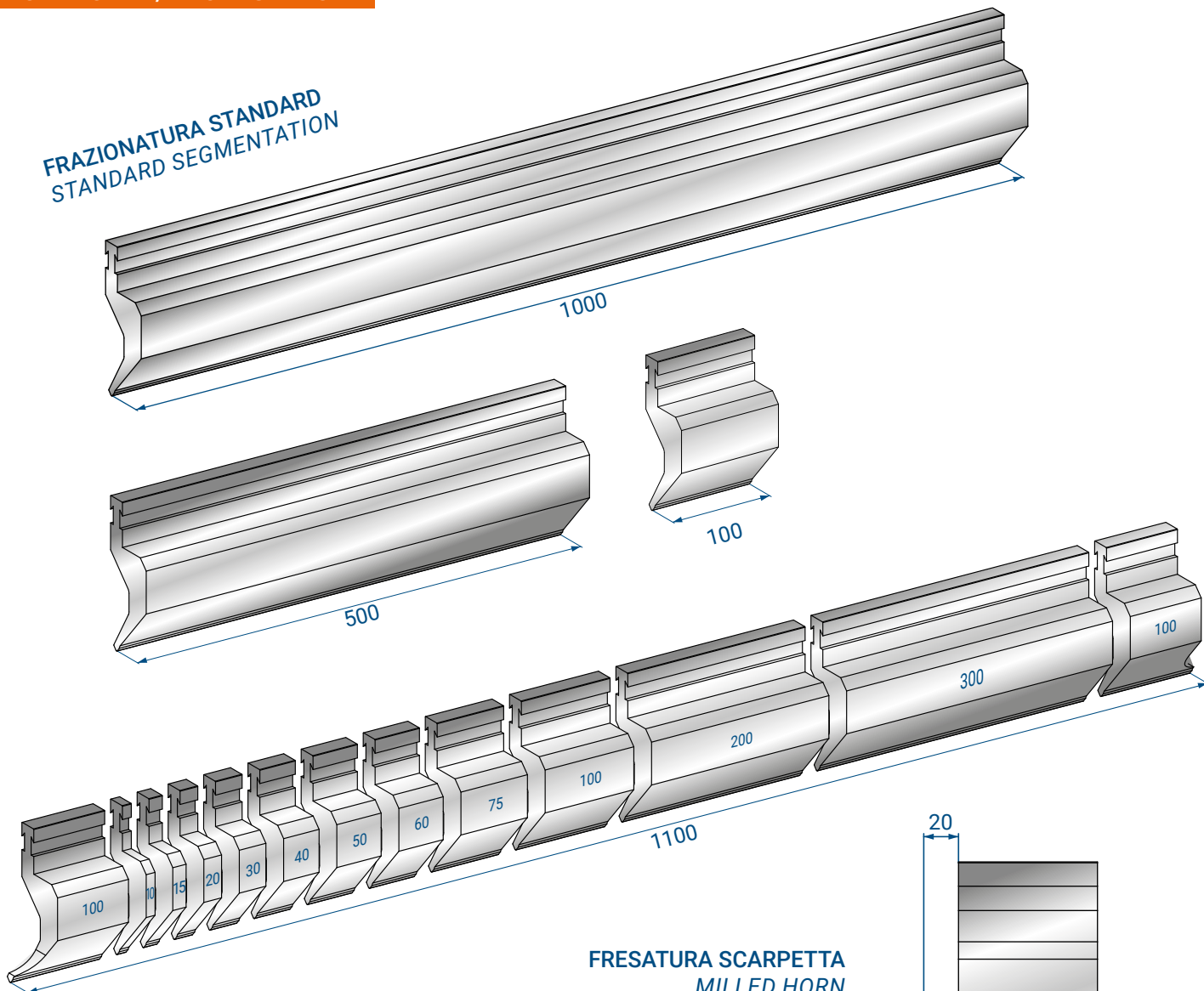
These tooling could also be installed on other press brakes by using the appropriate upper and lower adapters.



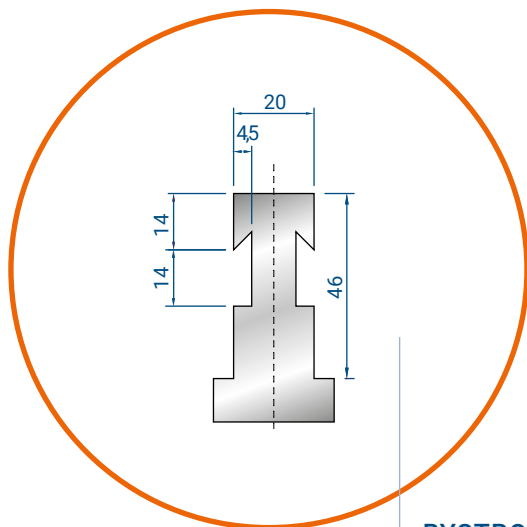
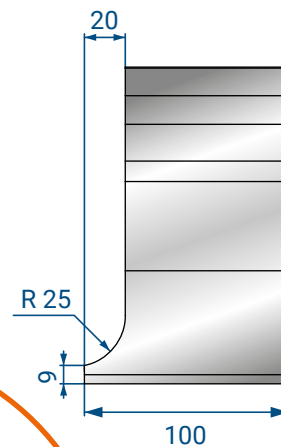
2000
EUROSTAP
the Italian excellence

BYSTRONIC STYLE

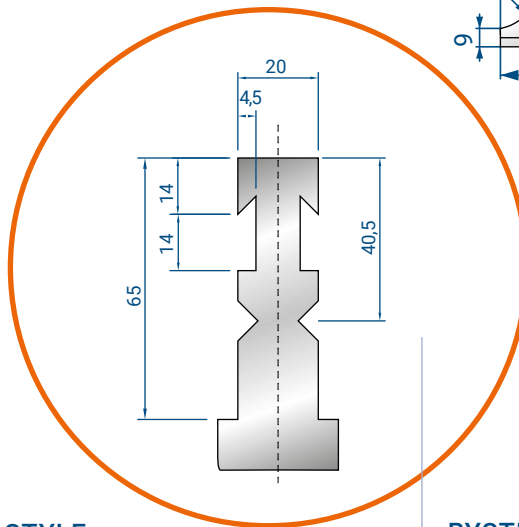
FRAZIONATURA STANDARD
STANDARD SEGMENTATION



FRESATURA SCARPETTA
MILLED HORN



BYSTRONIC STYLE
TYPE R

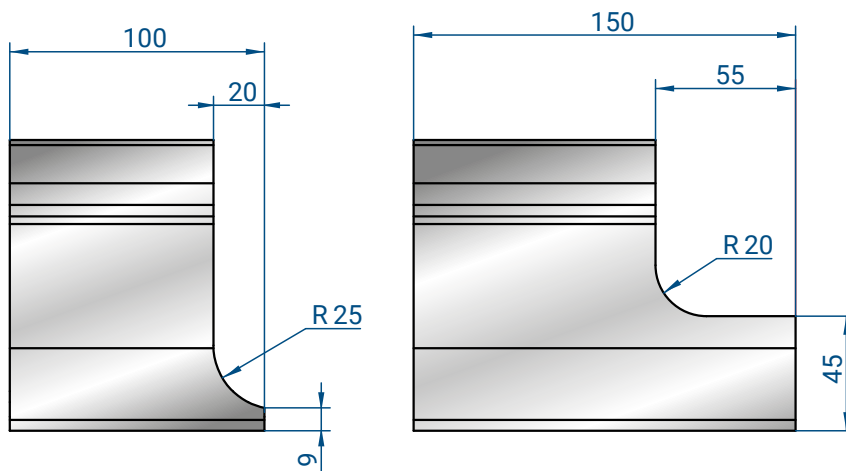


BYSTRONIC STYLE
TYPE RF-A

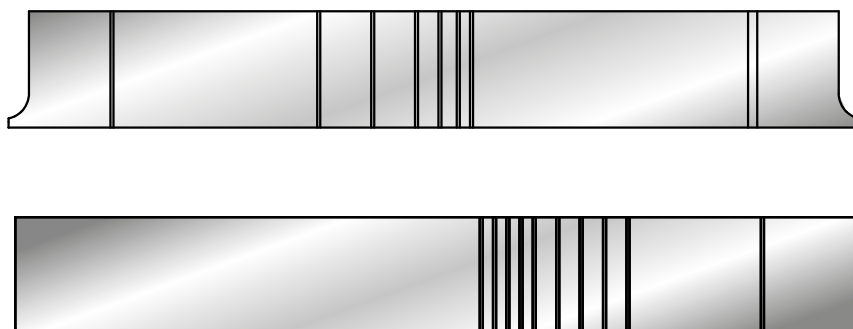
INCLUSO SU RICHIESTA
AVAILABLE ON DEMAND
AT NO COST

CODICE / CODE **8022**

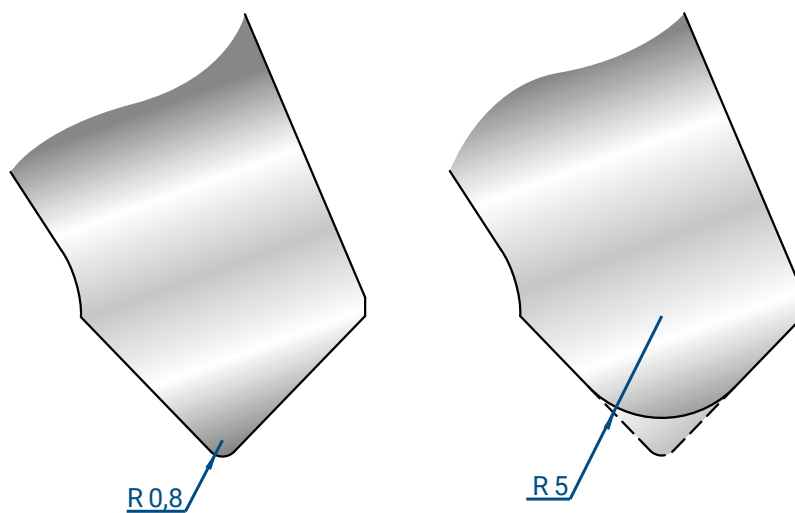
SCARPETTE SPECIALI
SPECIAL HORNS

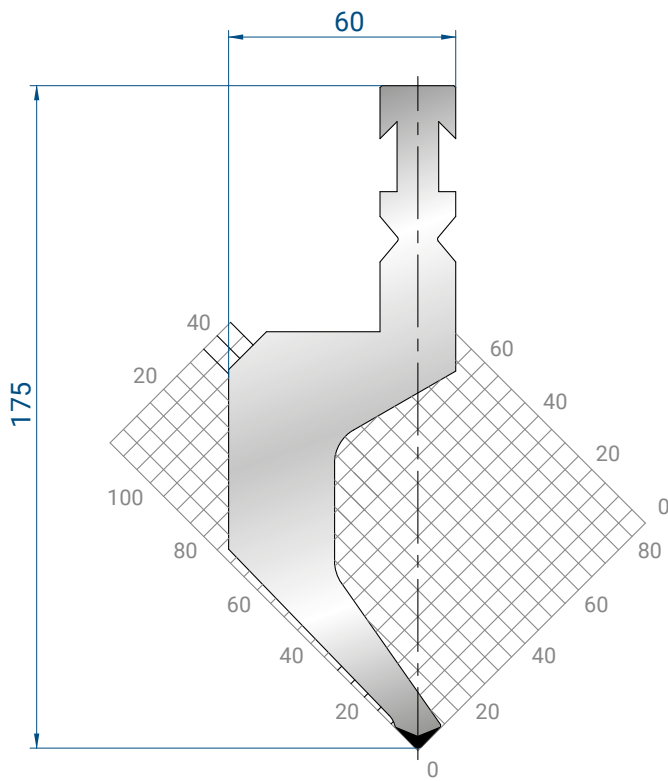


TAGLI A RICHIESTA
SPECIAL SEGMENTATION



MODIFICA RAGGIO
RADIUS MODIFICATION

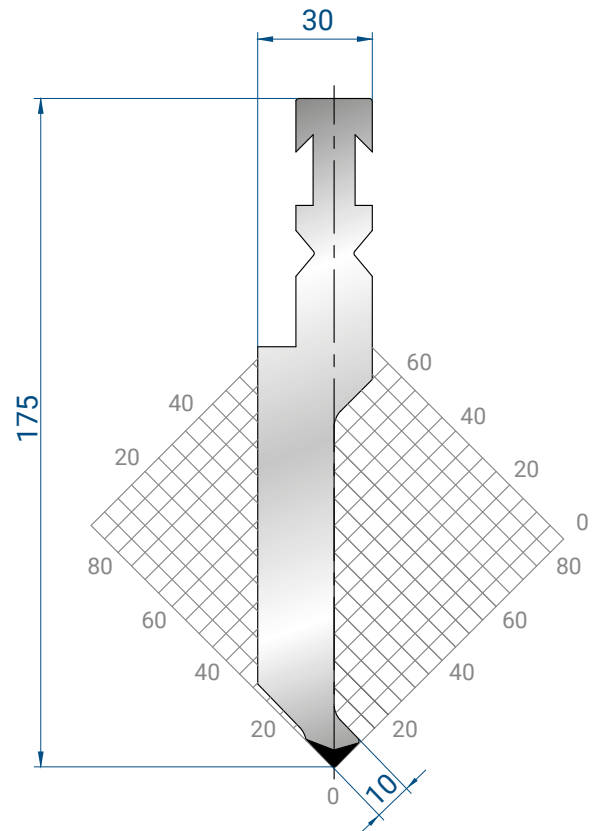




1227

Mat = C45
 bonificato / *tempered*
H = 175.00
Max T/m = 50
 α = 88°
R = 1.5

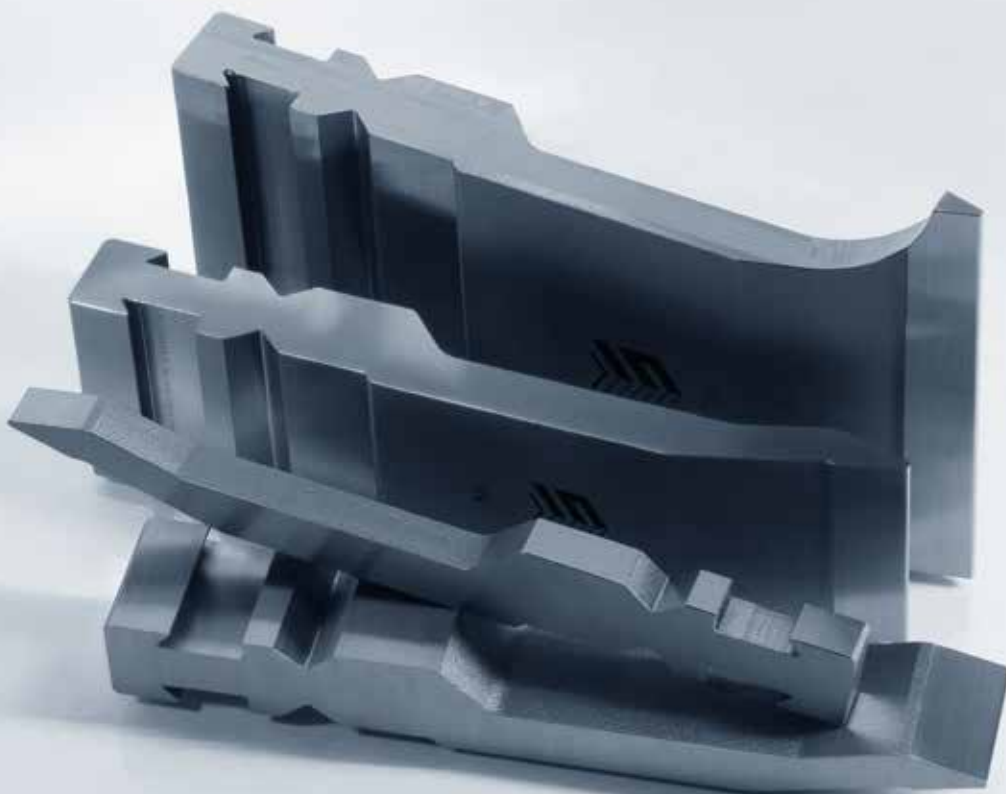
1000 mm	33,0 kg
500 mm	16,0 kg
1100 mm FRAZ. / SECT.	33,0 kg
100 mm	3,2 kg

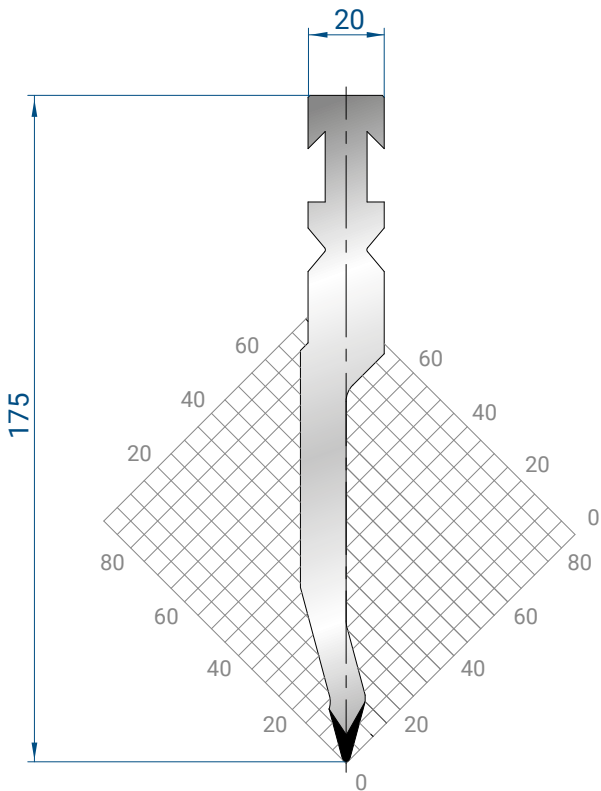


1229

Mat = C45
 bonificato / *tempered*
H = 175.00
Max T/m = 100
 α = 88°
R = 1

1000 mm	26,0 kg
500 mm	13,0 kg
1100 mm FRAZ. / SECT.	26,0 kg
100 mm	2,6 kg

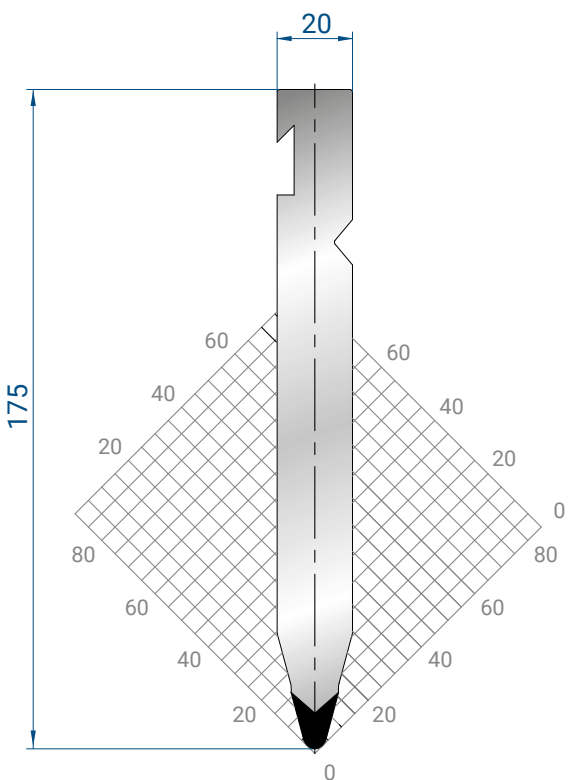




1230

Mat = C45
 bonificato / *tempered*
 H = 175.00
 Max T/m = 80
 $\alpha = 30^\circ$
 R = 1

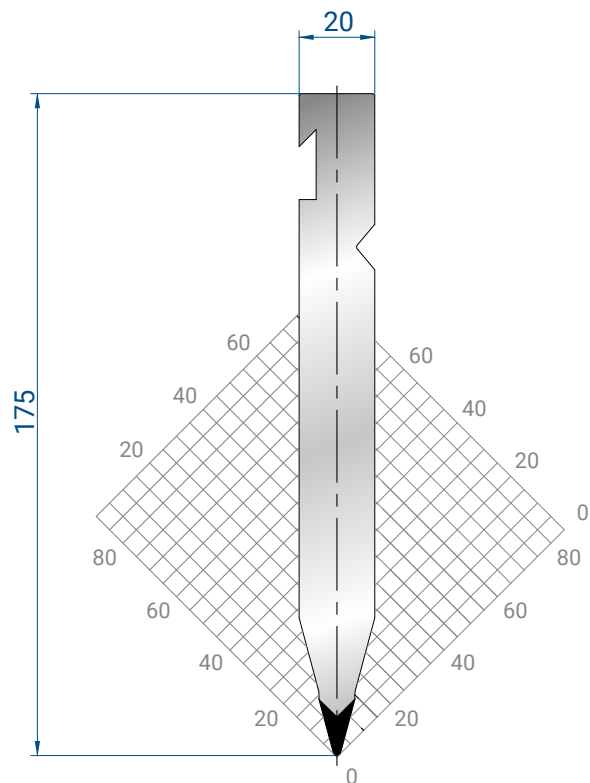
1000 mm	16,0 kg
500 mm	8,0 kg
1100 mm FRAZ. / SECT.	16,0 kg
100 mm	1,6 kg



1231

Mat = C45
 bonificato / *tempered*
 H = 175.00
 Max T/m = 100
 $\alpha = 30^\circ$
 R = 3

1000 mm	16,0 kg
500 mm	8,0 kg
1100 mm FRAZ. / SECT.	16,0 kg
100 mm	1,6 kg



1232

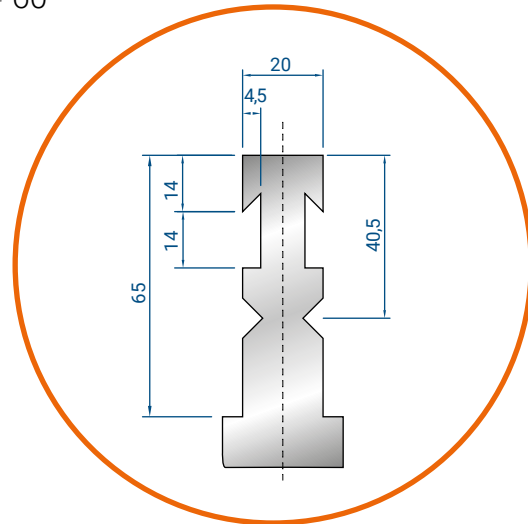
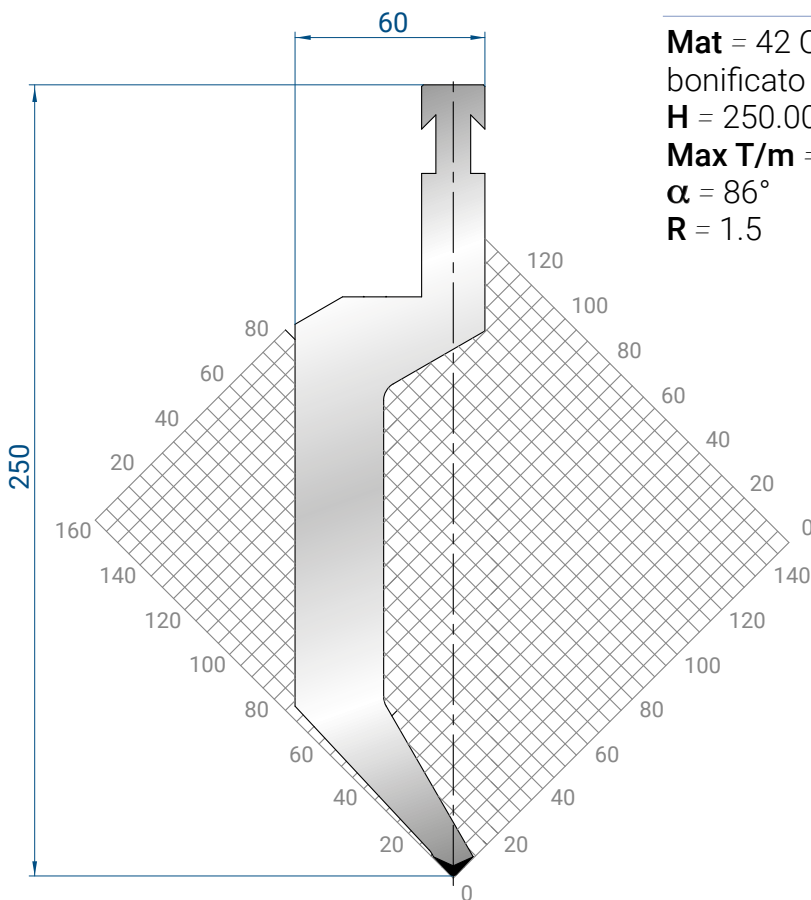
Mat = C45
 bonificato / *tempered*
 H = 175.00
 Max T/m = 100
 $\alpha = 30^\circ$
 R = 1

1000 mm	25,0 kg
500 mm	12,0 kg
1100 mm FRAZ. / SECT.	25,0 kg
100 mm	2,4 kg

1298

Mat = 42 CrMo4
 bonificato / tempered
H = 250.00
Max T/m = 60
 α = 86°
R = 1.5

500 mm	25,0 kg
1100 mm FRAZ. / SECT.	55,0 kg
100 mm	5,0 kg

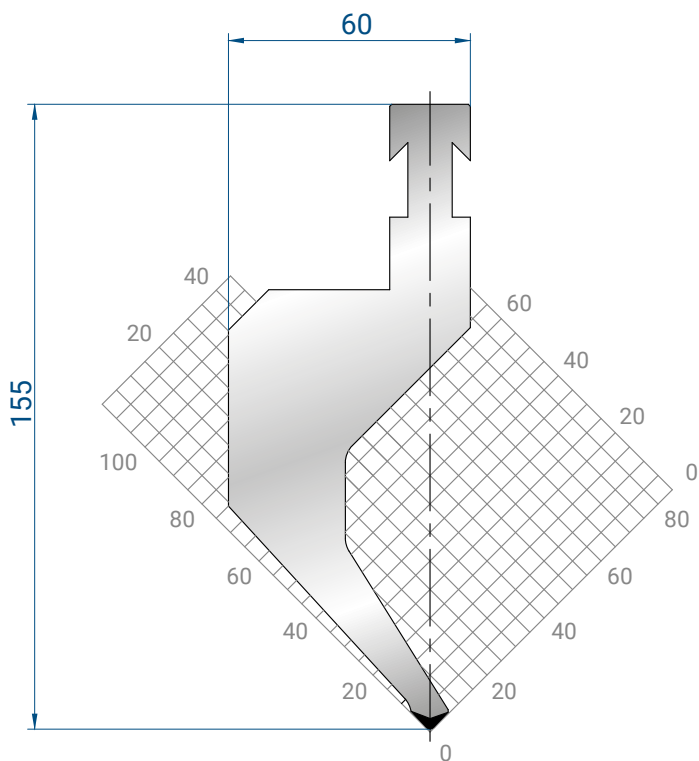


ATTACCO / UPPER TANG RF-A

INCLUSO SU RICHIESTA
 AVAILABLE ON DEMAND
 AT NO COST

CODICE / CODE 8022

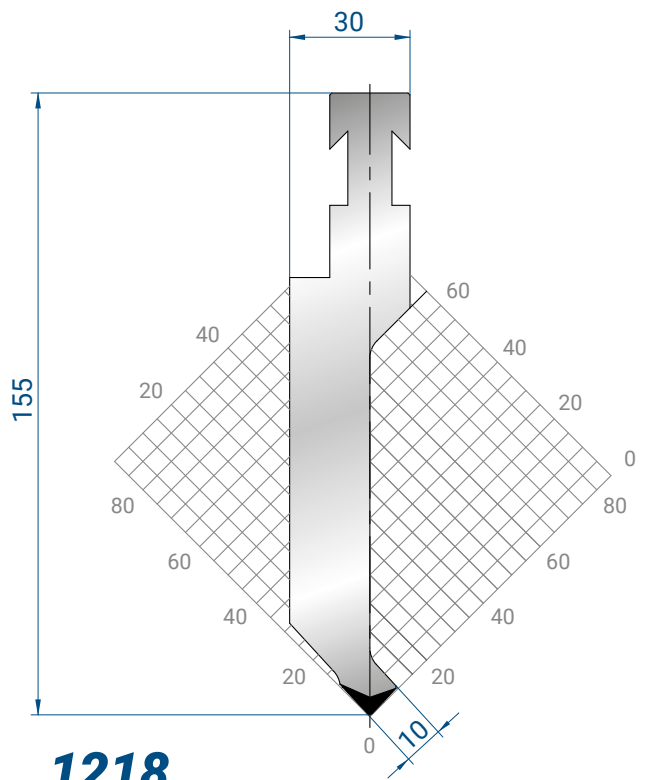




1216

Mat = C45
 bonificato / *tempered*
H = 155.00
Max T/m = 50
 α = 85°
R = 1.5

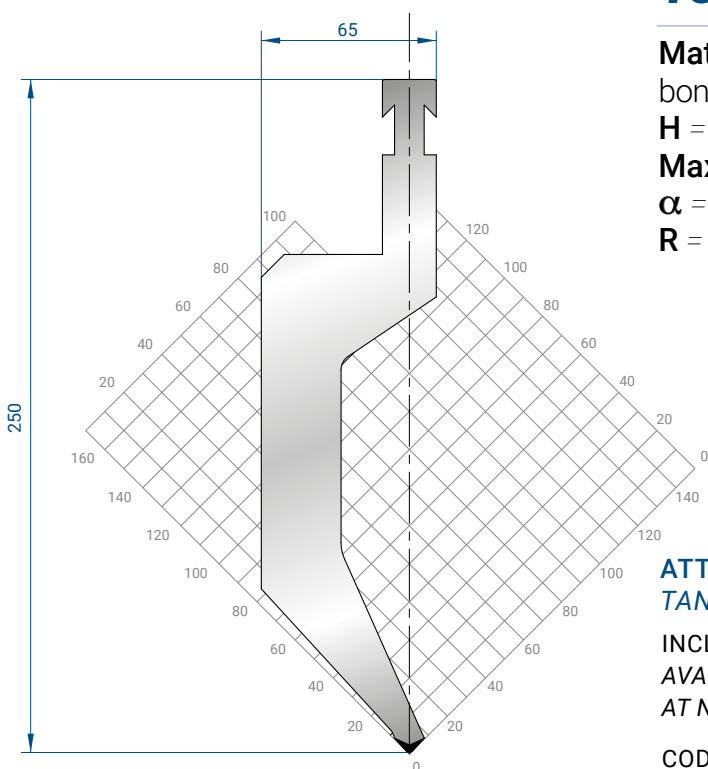
1000 mm	23,0 kg
500 mm	12,5 kg
1100 mm FRAZ. / SECT.	30,0 kg
100 mm	3,0 kg



1218

Mat = C45
 bonificato / *tempered*
H = 155.00
Max T/m = 100
 α = 85°
R = 1

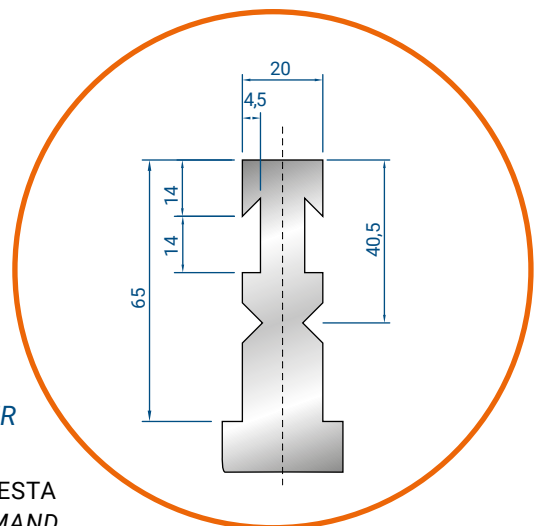
1000 mm	30,0 kg
500 mm	15,0 kg
1100 mm FRAZ. / SECT.	30,0 kg
100 mm	3,0 kg



1321

Mat = 42 CrMo4
 bonificato / *tempered*
H = 250.00
Max T/m = 100
 α = 85°
R = 1.5

500 mm	27,9 kg
1100 mm FRAZ. / SECT.	61,0 kg
100 mm	5,6 kg



ATTACCO / UPPER TANG RF-A

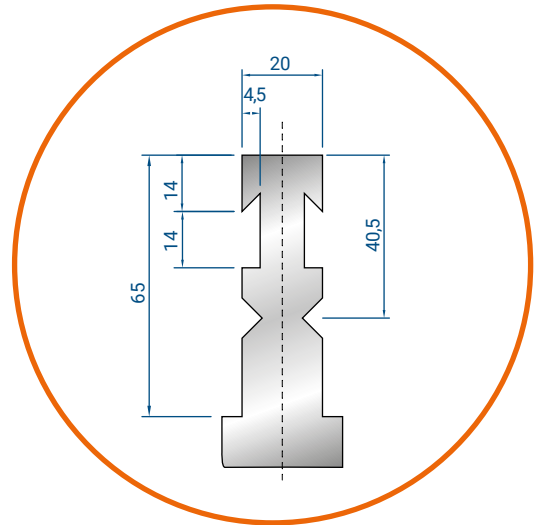
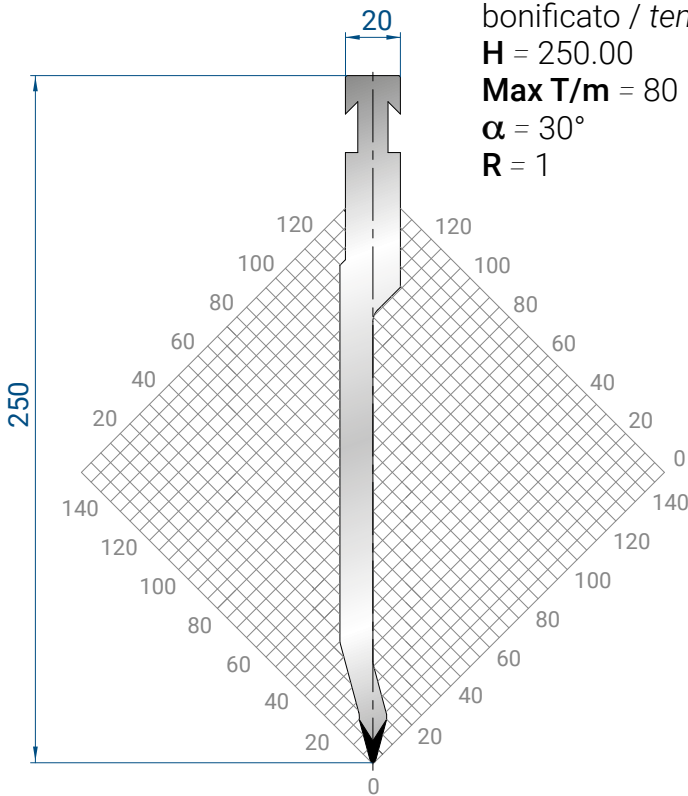
INCLUSO SU RICHIESTA
 AVAILABLE ON DEMAND
 AT NO COST

CODICE / CODE **8022**

1299

Mat = 42 CrMo4
 bonificato / *tempered*
H = 250.00
Max T/m = 80
 α = 30°
R = 1

500 mm	13,3 kg
1100 mm FRAZ. / SECT.	29,2 kg
100 mm	2,6 kg



ATTACCO / UPPER TANG RF-A

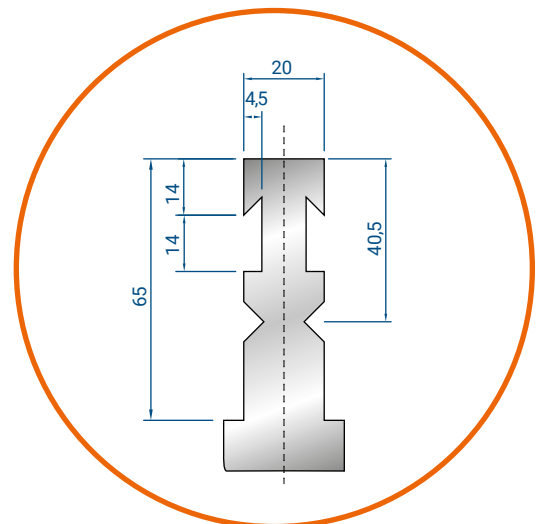
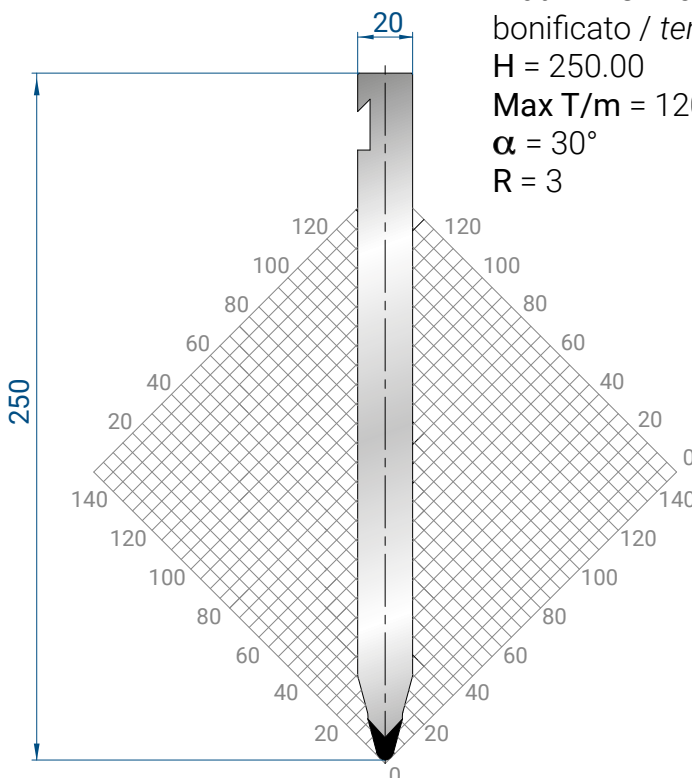
INCLUSO SU RICHIESTA
 AVAILABLE ON DEMAND
 AT NO COST

CODICE / CODE 8022

1300

Mat = 42CrMo4
 bonificato / *tempered*
H = 250.00
Max T/m = 120
 α = 30°
R = 3

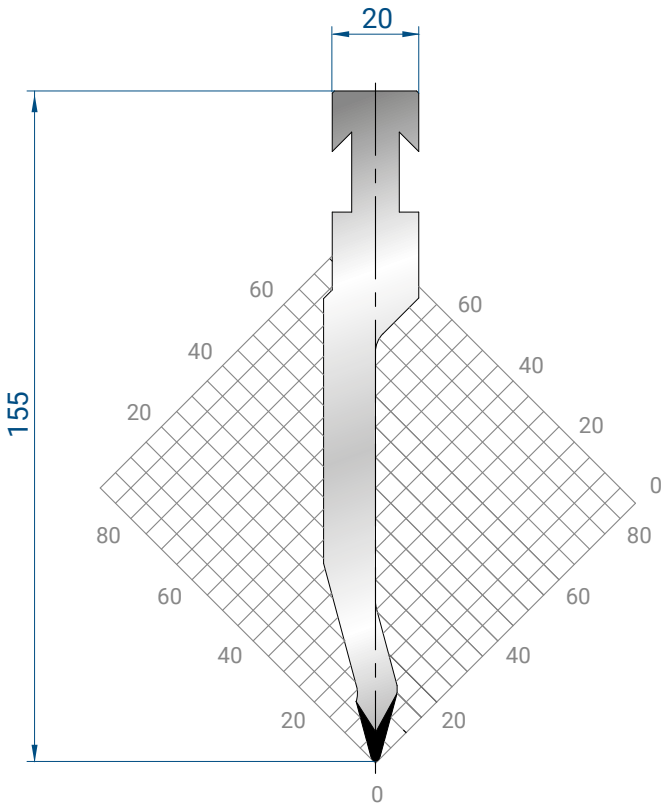
500 mm	21,0 kg
1100 mm FRAZ. / SECT.	46,0 kg
100 mm	4,2 kg



ATTACCO / UPPER TANG RF-A

INCLUSO SU RICHIESTA
 AVAILABLE ON DEMAND
 AT NO COST

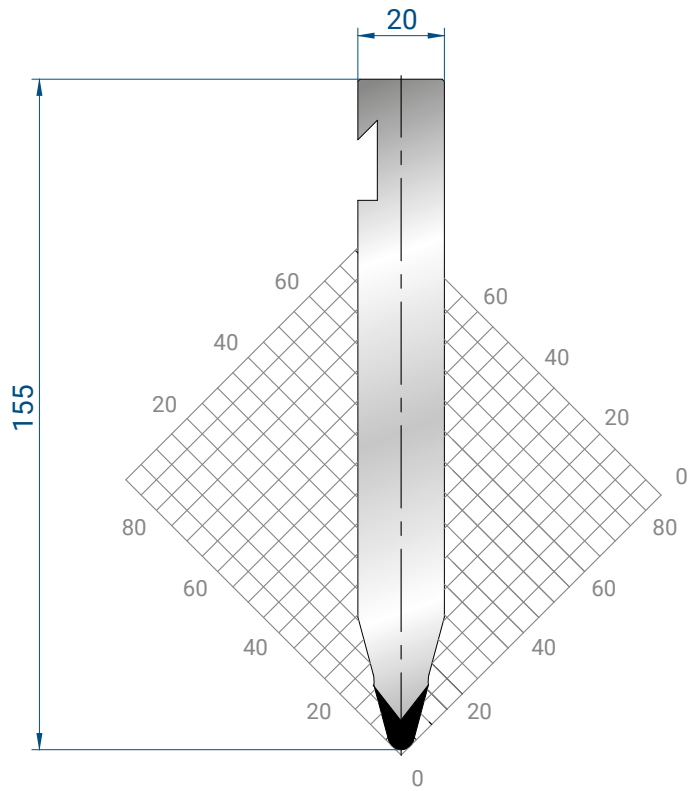
CODICE / CODE 8022



1220

Mat = C45
 bonificato / *tempered*
 H = 155.00
 Max T/m = 80
 $\alpha = 30^\circ$
 R = 1

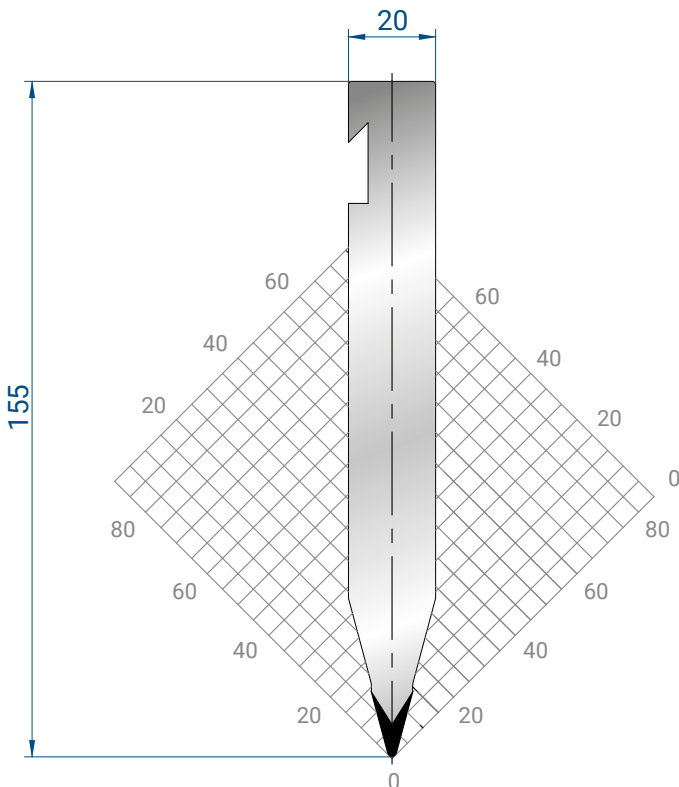
1000 mm	16,0 kg
500 mm	8,0 kg
1100 mm FRAZ. / SECT.	16,0 kg
100 mm	1,6 kg



1225

Mat = C45
 bonificato / *tempered*
 H = 155.00
 Max T/m = 100
 $\alpha = 30^\circ$
 R = 3

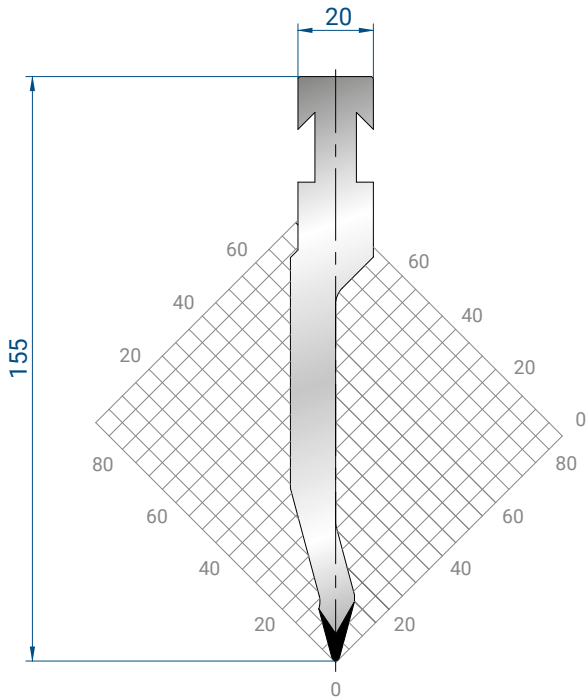
1000 mm	16,0 kg
500 mm	8,0 kg
1100 mm FRAZ. / SECT.	16,0 kg
100 mm	1,6 kg



1226

Mat = C45
 bonificato / *tempered*
 H = 155.00
 Max T/m = 100
 $\alpha = 30^\circ$
 R = 1

1000 mm	21,0 kg
500 mm	10,0 kg
1100 mm FRAZ. / SECT.	21,0 kg
100 mm	2,0 kg

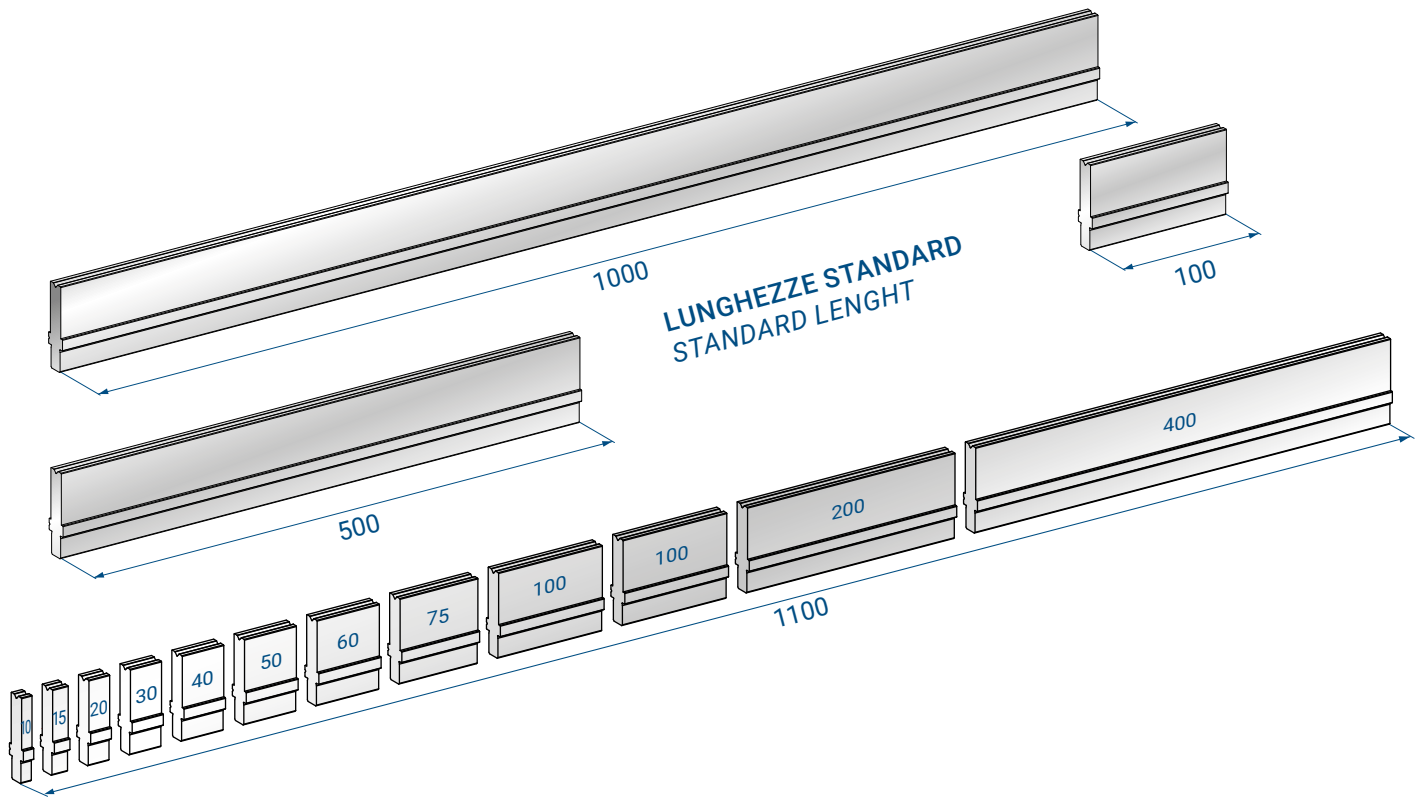


1221

Mat = C45
 bonificato / *tempered*
 H = 155.00
 Max T/m = 80
 $\alpha = 28^\circ$
 R = 1

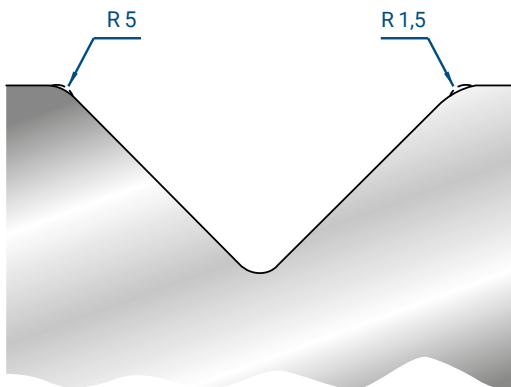
1000 mm	16,0 kg
500 mm	8,0 kg
1100 mm	16,0 kg
100 mm FRAZ. / SECT.	1,6 kg



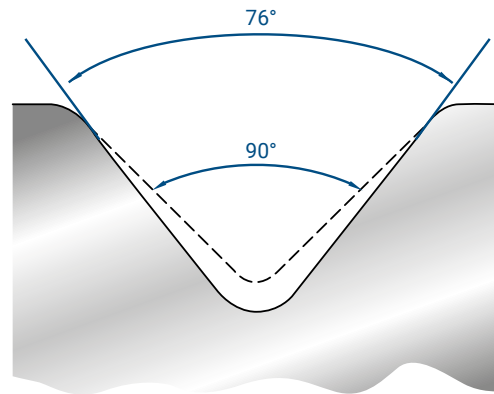


MODIFICHE A RICHIESTA / MODIFICATIONS ON REQUEST

TAGLI A RICHIESTA
SPECIAL SEGMENTATION

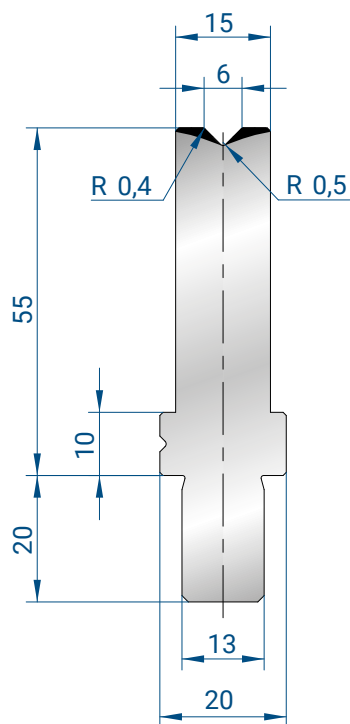


MODIFICA RAGGIO
RADIUS MODIFICATION



MODIFICA ANGOLO
ANGLE MODIFICATION

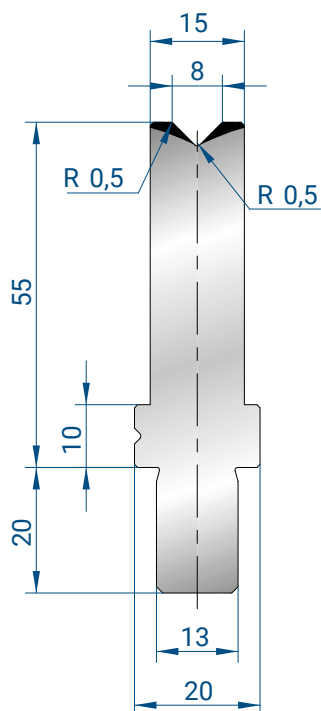
MATRICI 1V - 88° / 1V DIES - 88°



3241

Mat = C45
 Max T/m = 100
 $\alpha = 88^\circ$

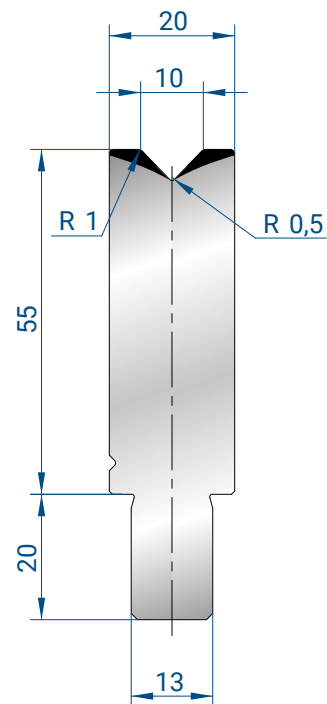
1000 mm	8,0 kg
500 mm	4,0 kg
1100 mm FRAZ. / SECT.	8,0 kg
100 mm	0,8 kg



3242

Mat = C45
 Max T/m = 100
 $\alpha = 88^\circ$

1000 mm	9,0 kg
500 mm	4,0 kg
1100 mm FRAZ. / SECT.	9,0 kg
100 mm	0,8 kg

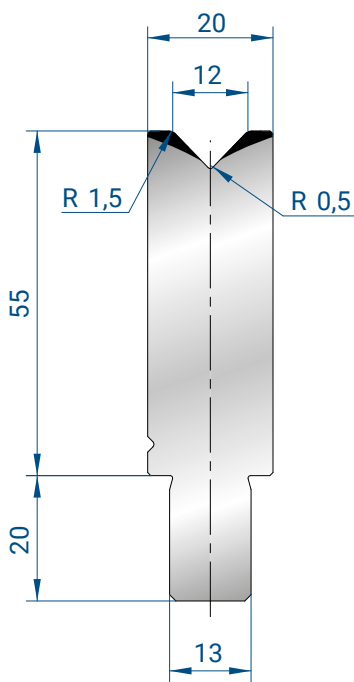


3106

Mat = C45
 Max T/m = 100
 $\alpha = 88^\circ$

1000 mm	10,0 kg
500 mm	5,0 kg
1100 mm FRAZ. / SECT.	10,0 kg
100 mm	1,0 kg

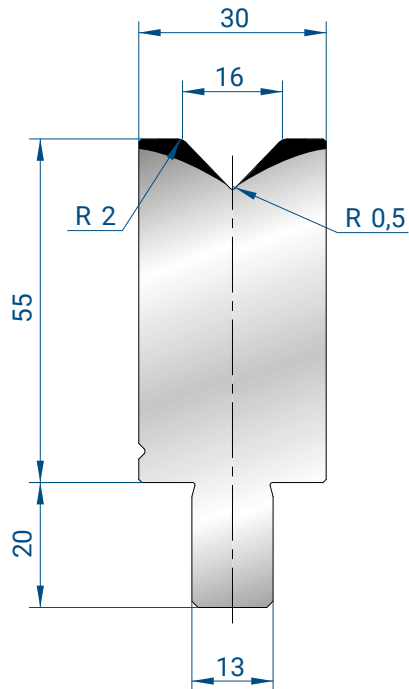




3107

Mat = C45
Max T/m = 100
 $\alpha = 88^\circ$

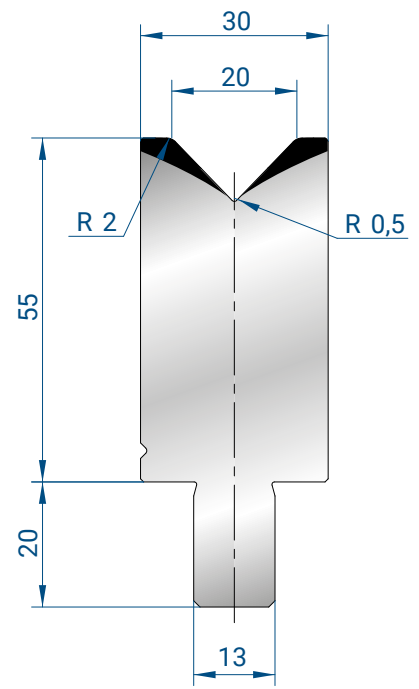
1000 mm	10,0 kg
500 mm	5,0 kg
1100 mm FRAZ. / SECT.	10,0 kg
100 mm	1,0 kg



3108

Mat = C45
Max T/m = 100
 $\alpha = 88^\circ$

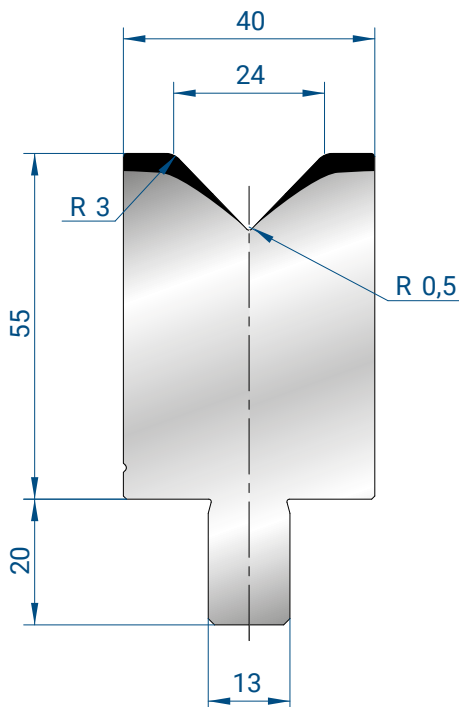
1000 mm	14,0 kg
500 mm	7,0 kg
1100 mm FRAZ. / SECT.	14,0 kg
100 mm	1,4 kg



3109

Mat = C45
Max T/m = 100
 $\alpha = 88^\circ$

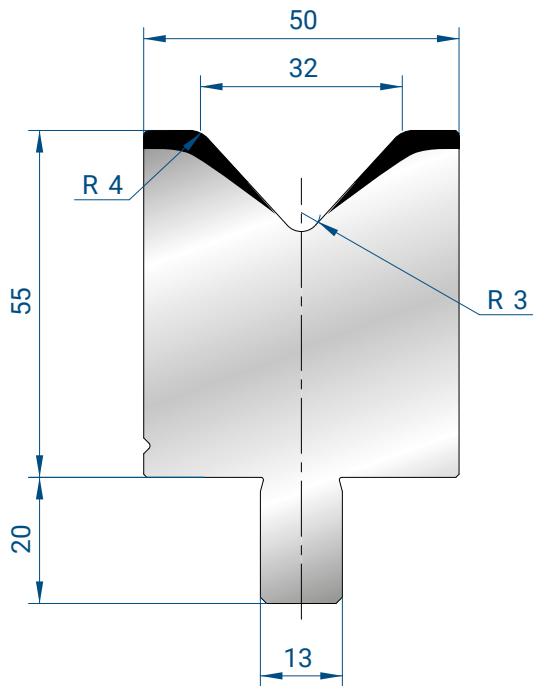
1000 mm	14,0 kg
500 mm	7,0 kg
1100 mm FRAZ. / SECT.	14,0 kg
100 mm	1,4 kg



3110

Mat = C45
Max T/m = 100
 $\alpha = 88^\circ$

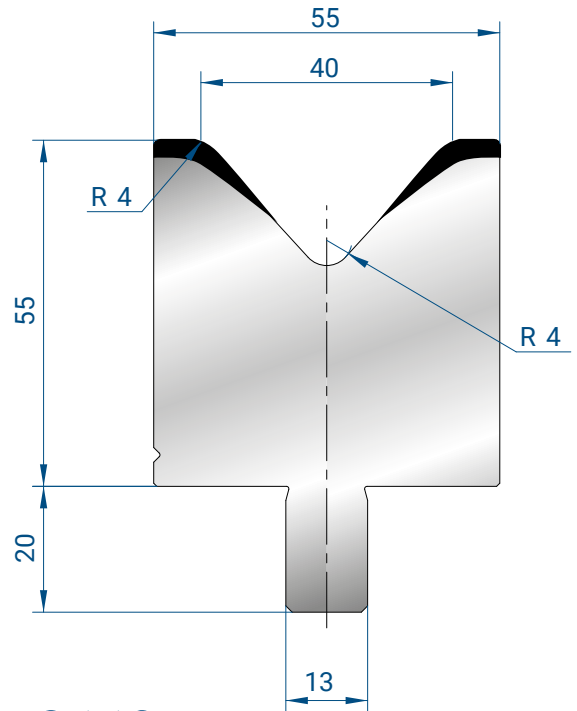
1000 mm	18,0 kg
500 mm	9,0 kg
1100 mm FRAZ. / SECT.	18,0 kg
100 mm	1,8 kg



3111

Mat = C45
 Max T/m = 100
 $\alpha = 85^\circ$

1000 mm	21,0 kg
500 mm	10,0 kg
1100 mm FRAZ. / SECT.	21,0 kg
100mm	2,0 kg

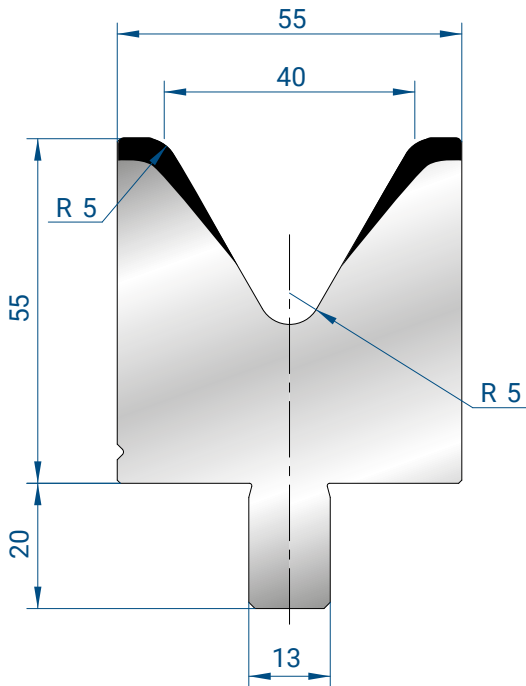


3112

Mat = C45
 Max T/m = 100
 $\alpha = 85^\circ$

1000 mm	21,0 kg
500 mm	10,0 kg
1100 mm FRAZ. / SECT.	21,0 kg
100mm	2,0 kg

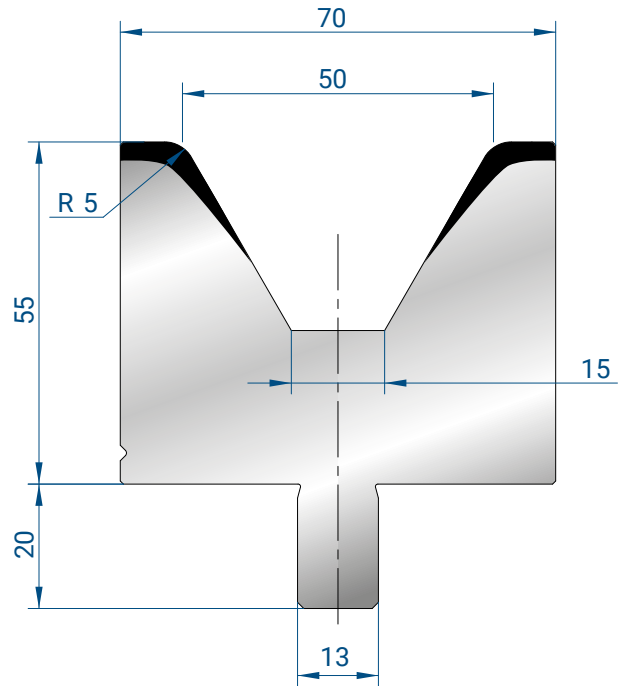




3113

Mat = C45
 Max T/m = 100
 $\alpha = 60^\circ$

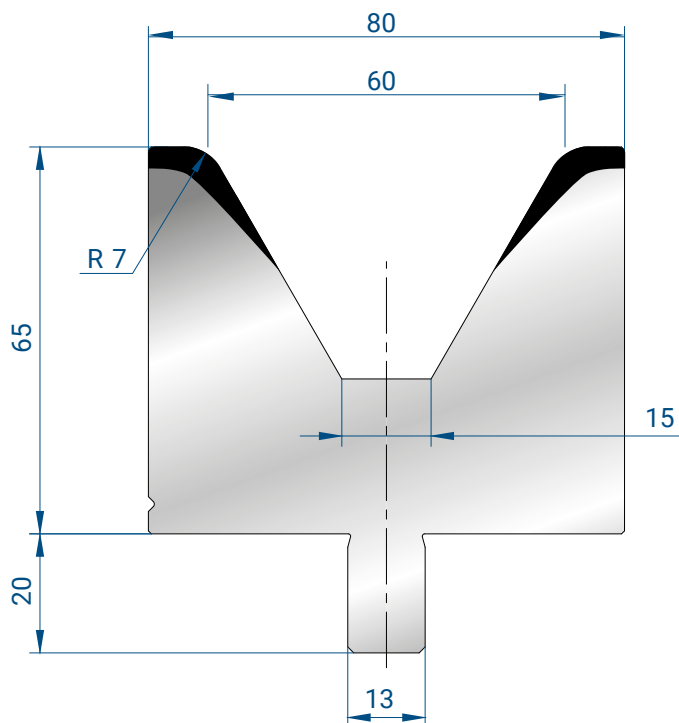
1000 mm	20,0 kg
500 mm	10,0 kg
1100 mm FRAZ. / SECT.	20,0 kg
100mm	2,0 kg



3179

Mat = C45
 Max T/m = 100
 $\alpha = 60^\circ$

1000 mm	24,0 kg
500 mm	12,0 kg
1100 mm FRAZ. / SECT.	24,0 kg
100mm	2,4 kg

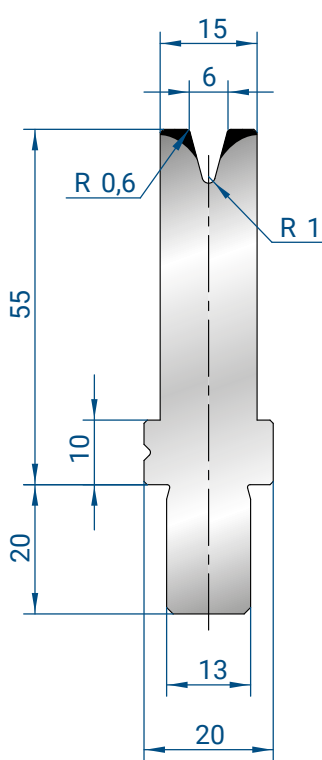


3114

Mat = C45
 Max T/m = 100
 $\alpha = 60^\circ$

1000 mm	31,0 kg
500 mm	15,0 kg
1100 mm FRAZ. / SECT.	31,0 kg
100mm	3,0 kg

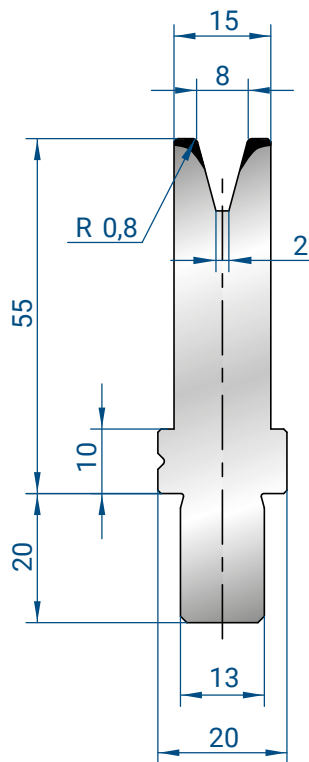
MATRICI 1V - 30° / 1V DIES - 30°



3115

Mat = C45
 Max T/m = 35
 $\alpha = 30^\circ$

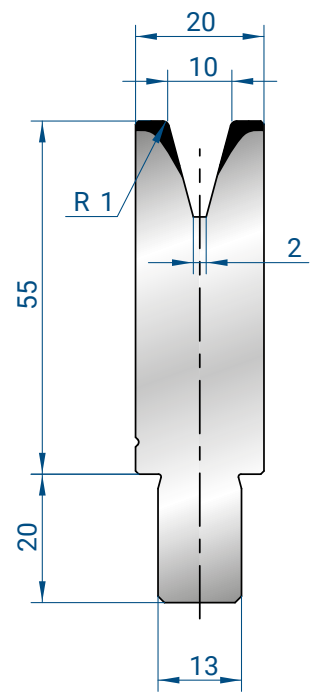
1000 mm	8,0 kg
500 mm	4,0 kg
1100 mm	8,0 kg
FRAZ. / SECT.	
100 mm	0,8 kg



3116

Mat = C45
 Max T/m = 40
 $\alpha = 30^\circ$

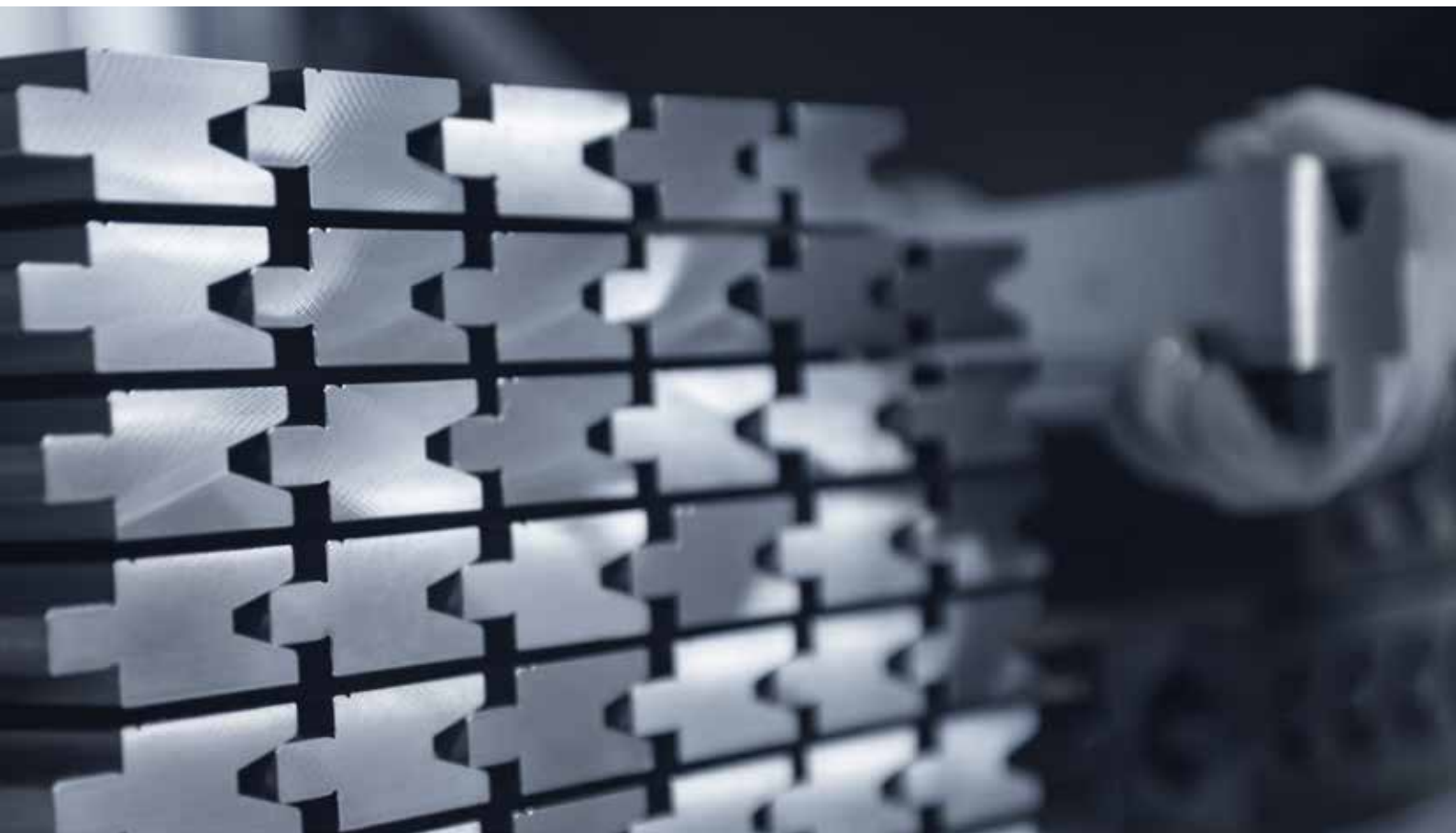
1000 mm	8,0 kg
500 mm	4,0 kg
1100 mm	8,0 kg
FRAZ. / SECT.	
100 mm	0,8 kg

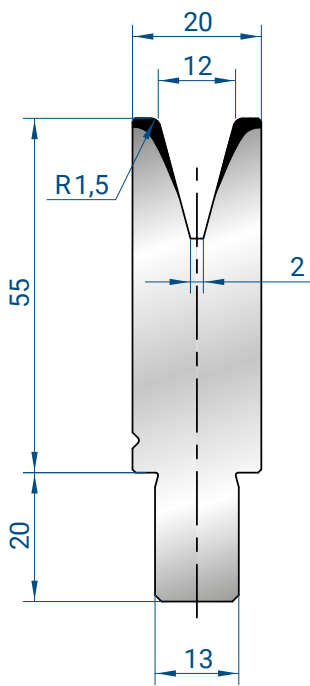


3117

Mat = C45
 Max T/m = 50
 $\alpha = 30^\circ$

1000 mm	10,0 kg
500 mm	5,0 kg
1100 mm	10,0 kg
FRAZ. / SECT.	
100 mm	2,5 kg

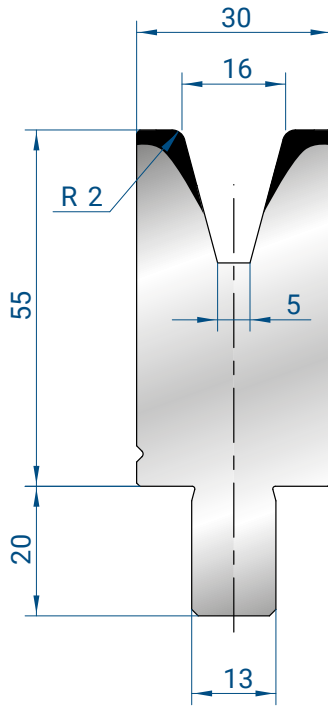




3118

Mat = C45
Max T/m = 40
 $\alpha = 30^\circ$

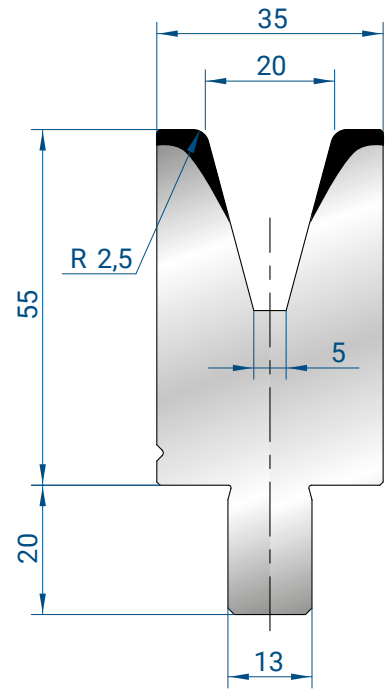
1000 mm	10,0 kg
500 mm	5,0 kg
1100 mm	10,0 kg
FRAZ. / SECT.	
100 mm	2,5 kg



3119

Mat = C45
Max T/m = 50
 $\alpha = 30^\circ$

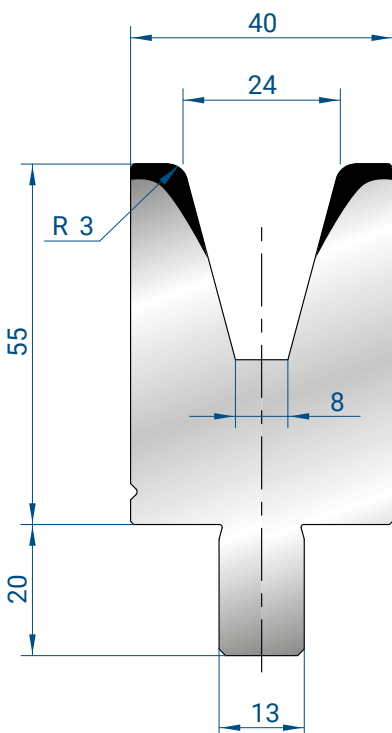
1000 mm	13,0 kg
500 mm	6,0 kg
1100 mm	13,0 kg
FRAZ. / SECT.	
100 mm	1,2 kg



3120

Mat = C45
Max T/m = 55
 $\alpha = 30^\circ$

1000 mm	14,0 kg
500 mm	7,0 kg
1100 mm	14,0 kg
FRAZ. / SECT.	
100 mm	1,4 kg



3121

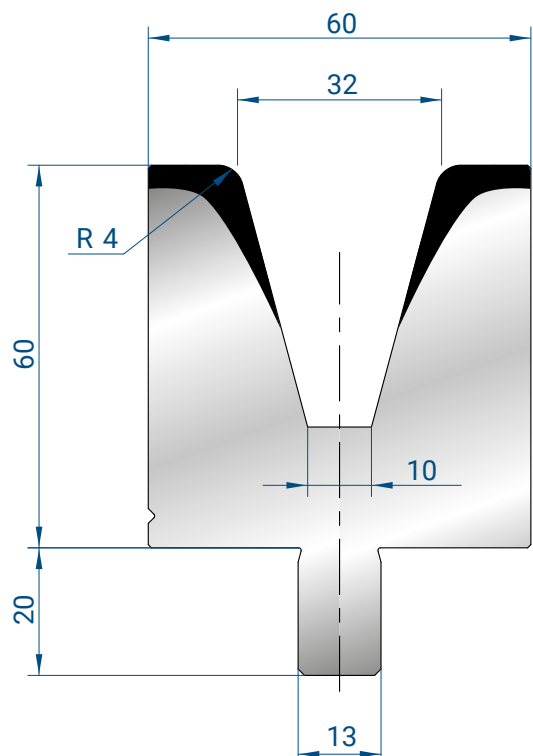
Mat = C45
Max T/m = 65
 $\alpha = 30^\circ$

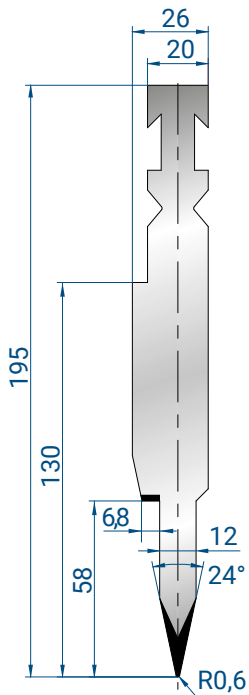
1000 mm	15,0 kg
500 mm	7,0 kg
1100 mm	15,0 kg
FRAZ. / SECT.	
100 mm	1,4 kg

3122

Mat = C45
Max T/m = 65
 $\alpha = 30^\circ$

1000 mm	23,0 kg
500 mm	11,0 kg
1100 mm	23,0 kg
FRAZ. / SECT.	
100 mm	2,2 kg





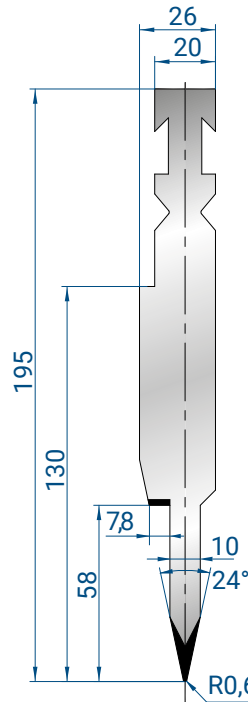
1254

Mat = C45
bonificato / tempered
Max T/m = 80

500 mm	14,0 kg
550 mm FRAZ. / SECT.	13,9 kg
100 mm	2,8 kg

Spessore / Thickness

Max 1,5 mm
Ferro / Mild steel



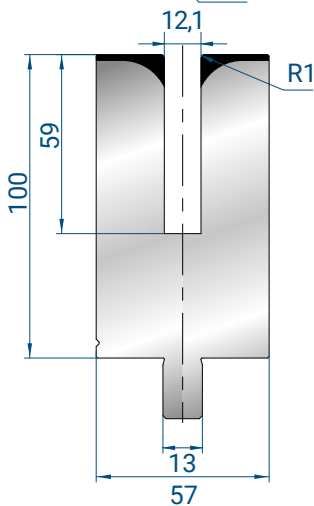
1253

Mat = C45
bonificato / tempered
Max T/m = 80

500 mm	13,0 kg
550 mm FRAZ. / SECT.	13,7 kg
100 mm	2,6 kg

Spessore / Thickness

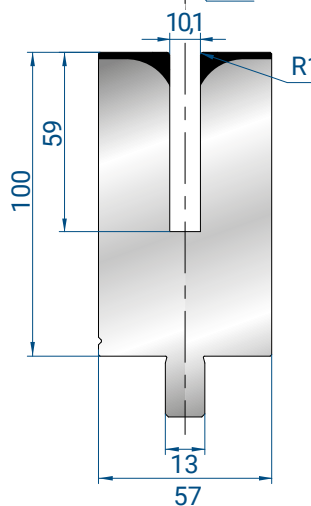
Max 1,5 mm
Ferro / Mild steel



3175

Mat = C45
bonificato / tempered
Max T/m = 50

500 mm	20,0 kg
550 mm FRAZ. / SECT.	22,6 kg
100 mm	4,0 kg

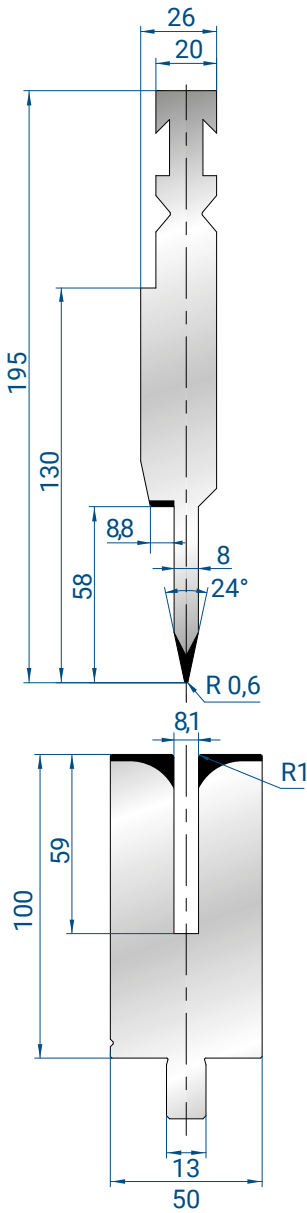


3174

Mat = C45
bonificato / tempered
Max T/m = 50

500 mm	20,0 kg
550 mm FRAZ. / SECT.	23,1 kg
100 mm	4,0kg





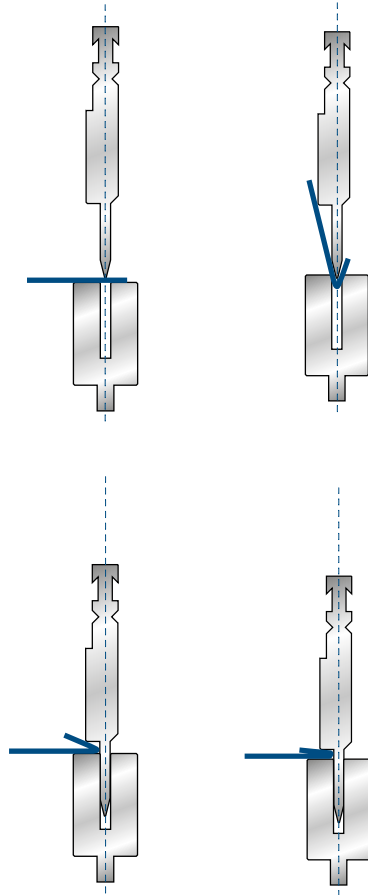
1252

Mat = C45
 bonificato / tempered
Max T/m = 80

500 mm	13,0 kg
550 mm	13,3 kg
FRAZ. / SECT.	
100 mm	2,6 kg

Spessore / Thickness

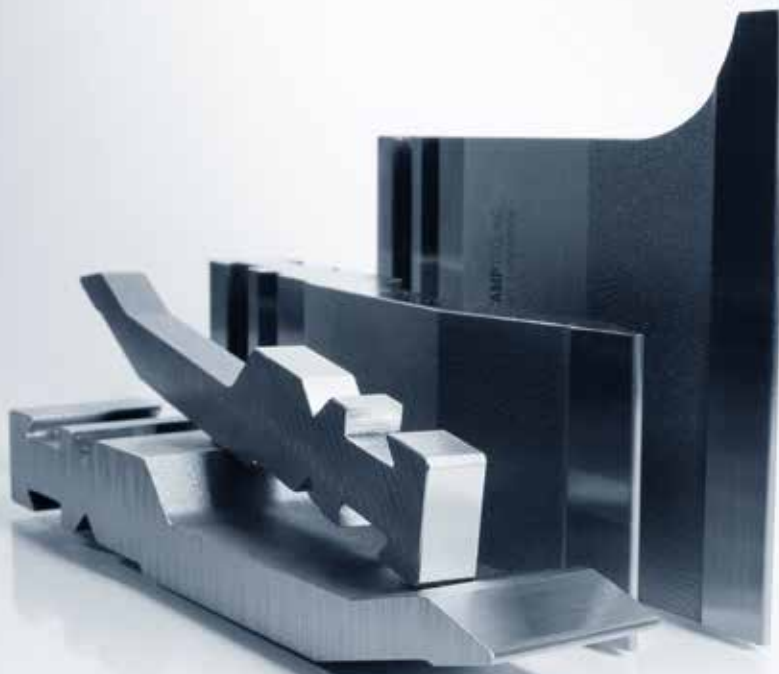
Max 1,2 mm
 Ferro / Mild steel



3157

Mat = C45
 bonificato / tempered
Max T/m = 50

500 mm	21,0 kg
550 mm	20,6 kg
FRAZ. / SECT.	
100 mm	4,2 kg



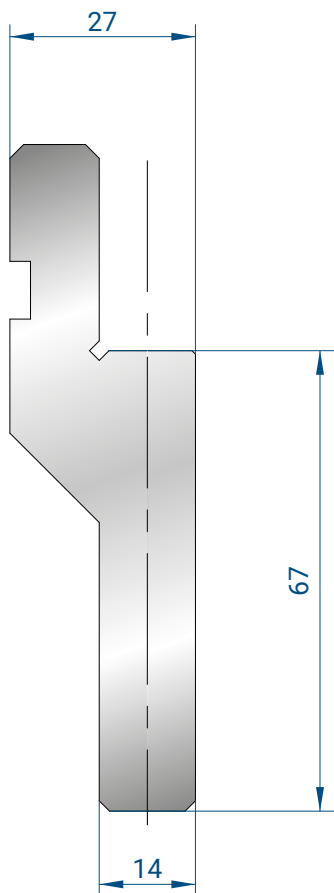


ACCESSORI ACCESSORIES





SUPPORTI PER INSERTI RAGGIATI
RADIUS INSERTS HOLDERS



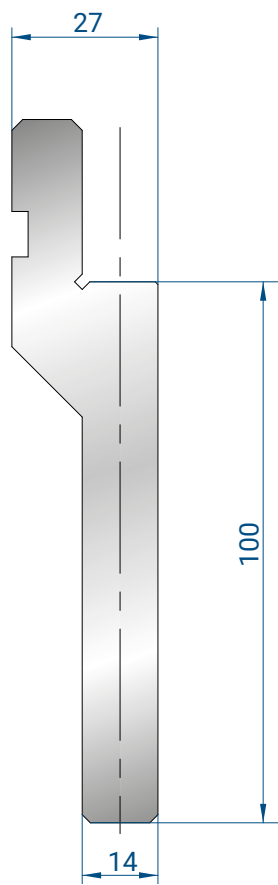
1036

AMADA PROMECAM STYLE

Mat = C45

Max T/m = 100

830 mm	10,0 kg
410 mm	5,0 kg



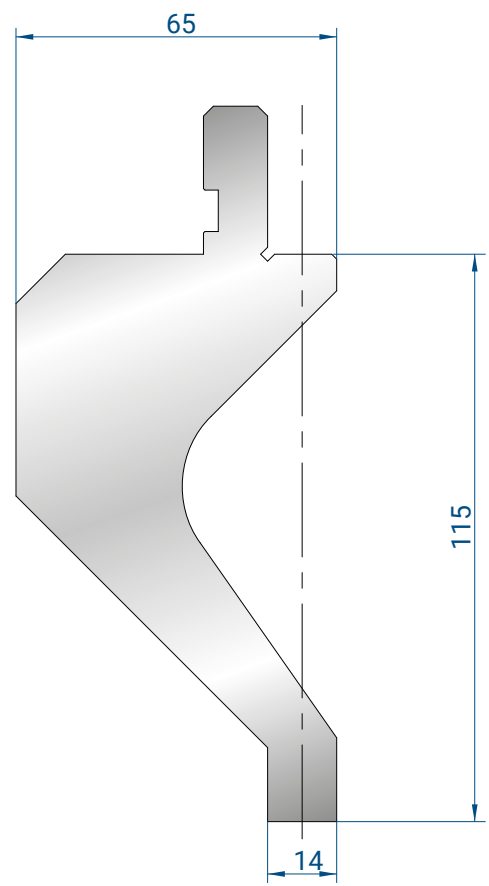
1096

AMADA PROMECAM STYLE

Mat = C45

Max T/m = 100

830 mm	13,0 kg
410 mm	6,0 kg



1090

AMADA PROMECAM STYLE

Mat = C45

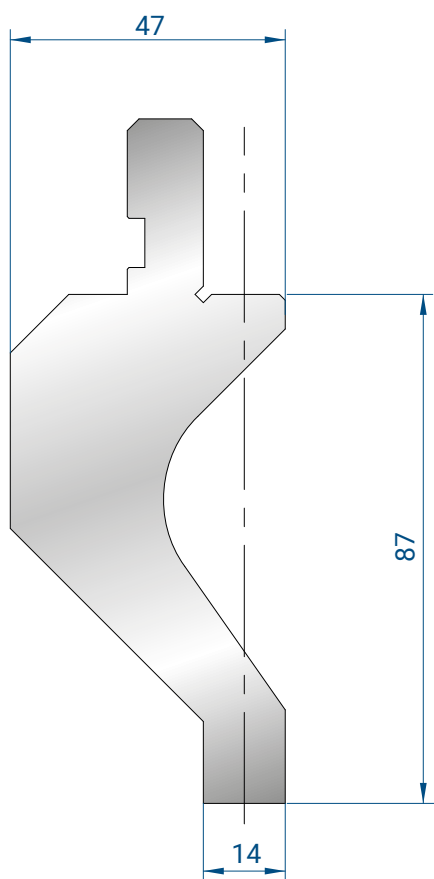
Max T/m = 50

830 mm	26,0 kg
410 mm	13,0 kg



SUPPORTI PER INSERTI RAGGIATI

RADIUS INSERTS HOLDERS



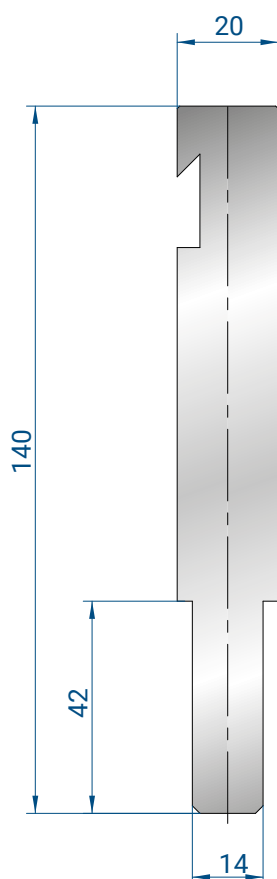
1091

AMADA PROMECAM STYLE

Mat = C45

Max T/m = 50

830 mm	16,0 kg
410 mm	8,0 kg



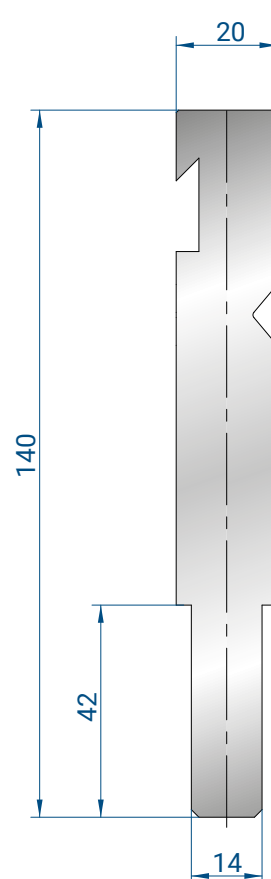
1239

BYSTRONIC R STYLE

Mat = C45

Max T/m = 100

830 mm	15,0 kg
410 mm	7,0 kg



1273

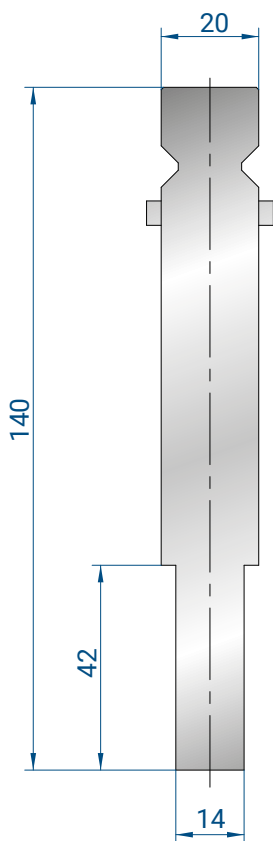
BYSTRONIC RF - A STYLE

Mat = C45

Max T/m = 100

830 mm	16,0 kg
410 mm	8,0 kg





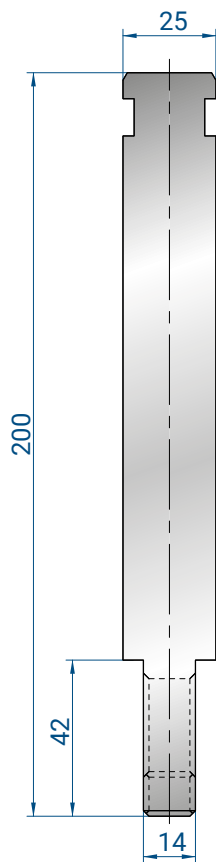
1240

TRUMPF / WILA STYLE

Mat = C45

Max T/m = 100

830 mm	16,0 kg
410 mm	8,0 kg



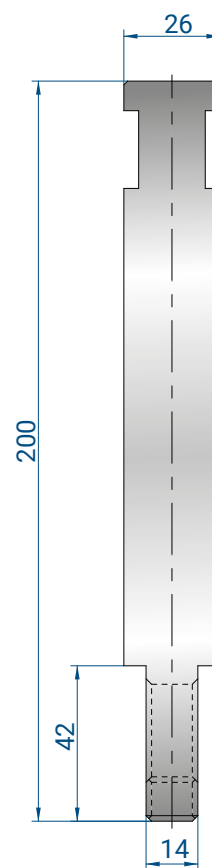
1305

WEINBRENNER STYLE

Mat = C45

Max T/m = 100

830 mm	28,0 kg
410 mm	14,0 kg



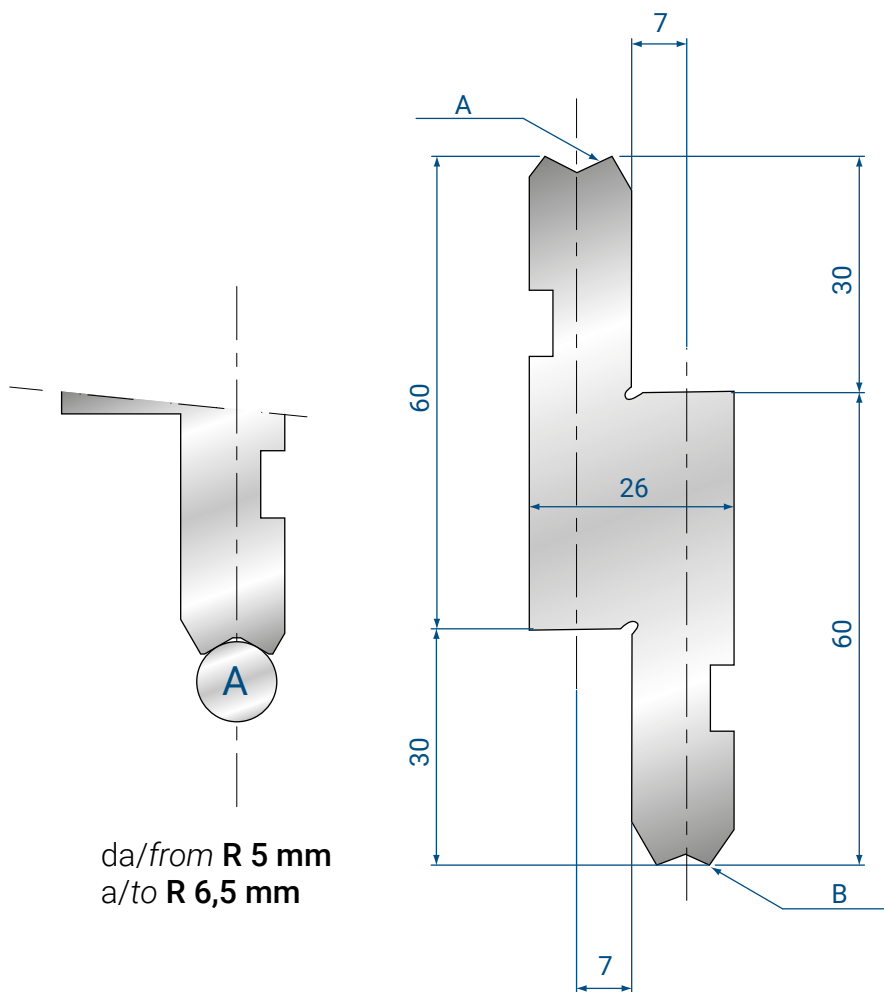
1306

EHT STYLE

Mat = C45

Max T/m = 100

830 mm	28,0 kg
410 mm	14,0 kg

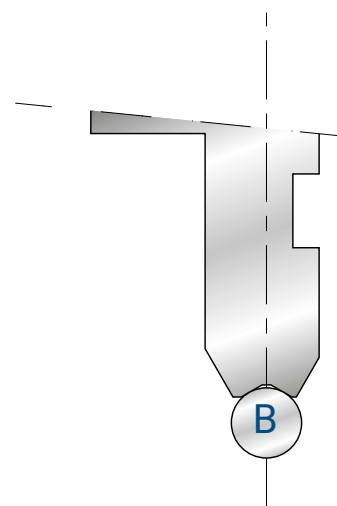


da/from R 5 mm
a/to R 6,5 mm

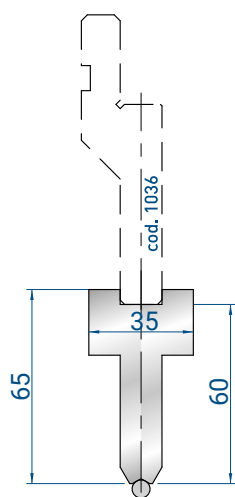
1155

AMADA/PROMECAM STYLE
Mat = C45

830 mm	9,0 kg
410 mm	4,0 kg



da/from R 3 mm
a/to R 4,5 mm



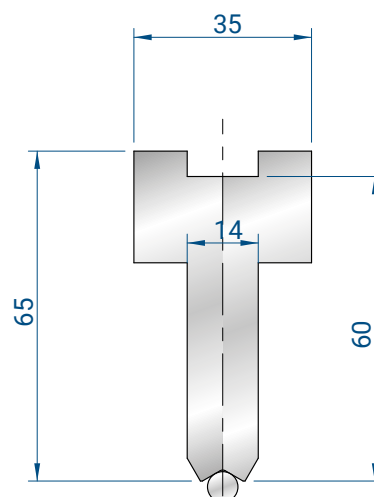
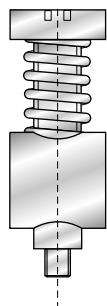
1296

da/from R 3 mm
a/to R 4,5 mm

830 mm	8,0 kg
410 mm	4,0 kg

4275

PEZZO DI RICAMBIO
SPARE PART



1297

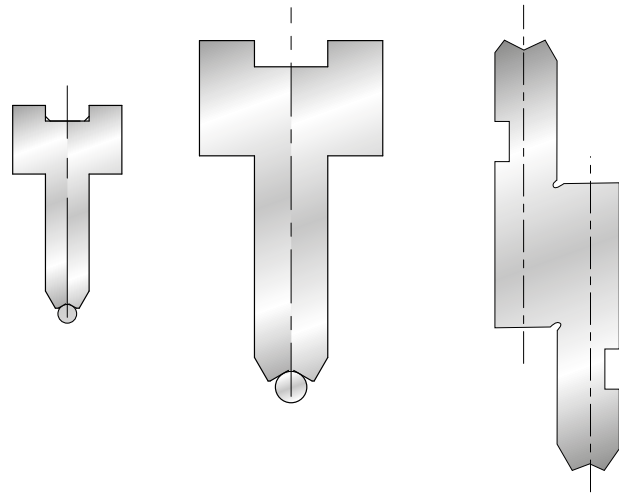
da/from R 5 mm
a/to R 6,5 mm

830 mm	8,0 kg
410 mm	4,0 kg

INSERTI RAGGIATI PICCOLI SMALL RADIUS INSERTS

SOLO PER SUPPORTI
ONLY FOR HOLDERS

1155 - 1296 - 1297



1180

Mat = C45

835 mm	1,0 kg
415 mm	0,5 kg

R 3

1181

Mat = C45

835 mm	1,0 kg
415 mm	0,5 kg

R 3,5

1182

Mat = C45

835 mm	1,0 kg
415 mm	0,5 kg

R 4

1183

Mat = C45

835 mm	1,0 kg
415 mm	0,5 kg

R 4,5

1184

Mat = C45

835 mm	1,0 kg
415 mm	0,5 kg

R 5

1185

Mat = C45

835 mm	1,0 kg
415 mm	0,5 kg

R 5,5

1186

Mat = C45

835 mm	1,0 kg
415 mm	0,5 kg

R 6

1187

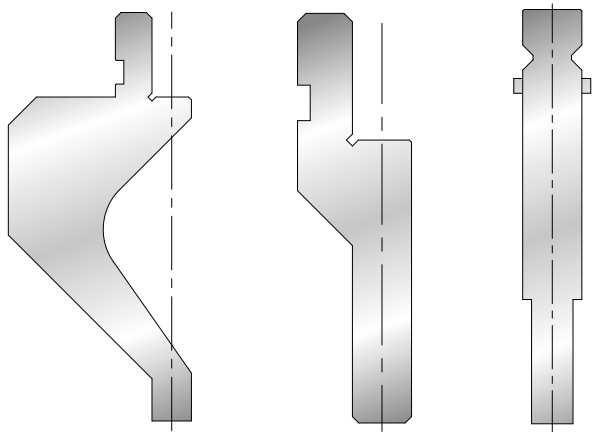
Mat = C45

835 mm	1,0 kg
415 mm	0,5 kg

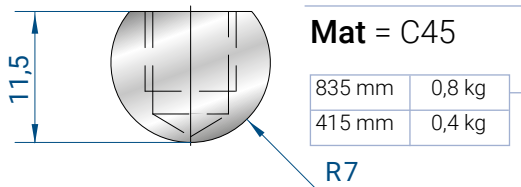
R 6,5

GAMMA SUPPORTI DISPONIBILI A PAG.
AVAILABLE RANGE OF HOLDERS ON PAG.

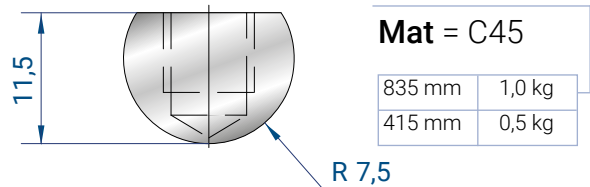
184; 185; 186



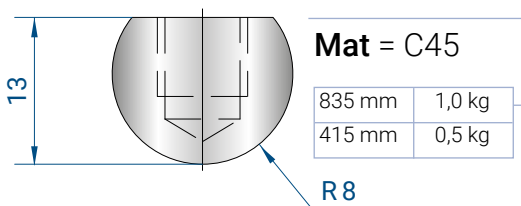
1100



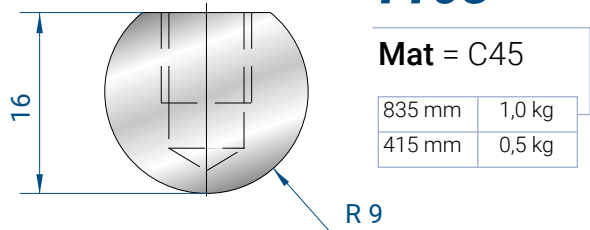
1101



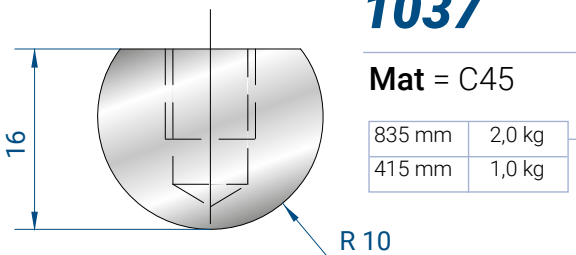
1102



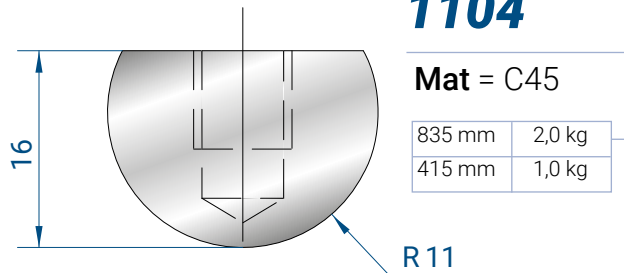
1103

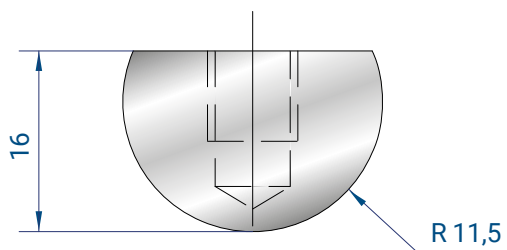


1037



1104

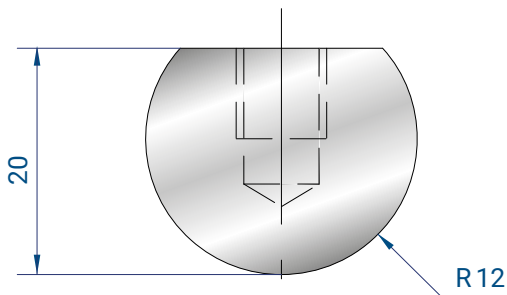




1105

Mat = C45

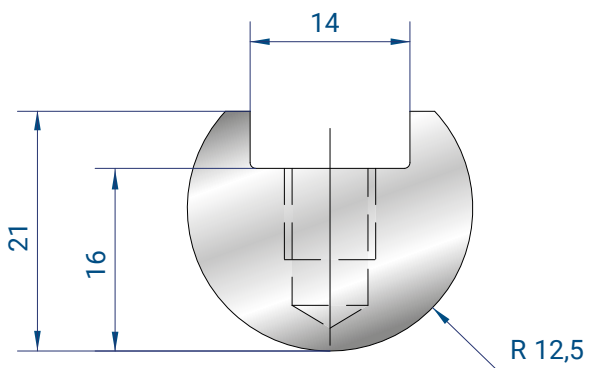
835 mm	2,0 kg
415 mm	1,0 kg



1106

Mat = C45

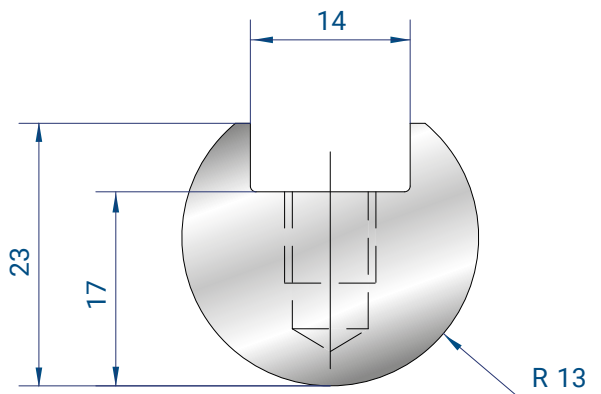
835 mm	2,0 kg
415 mm	1,0 kg



1107

Mat = C45

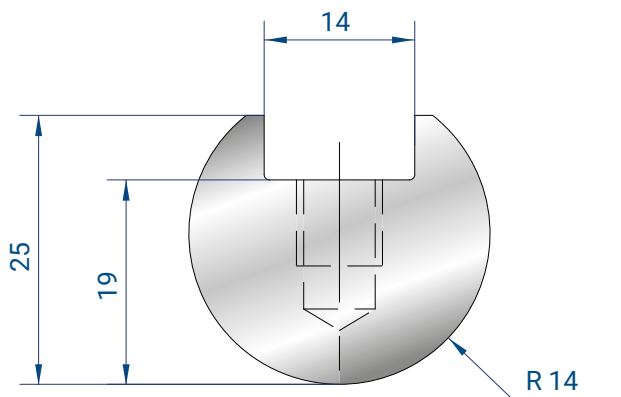
835 mm	3,0 kg
415 mm	1,5 kg



1108

Mat = C45

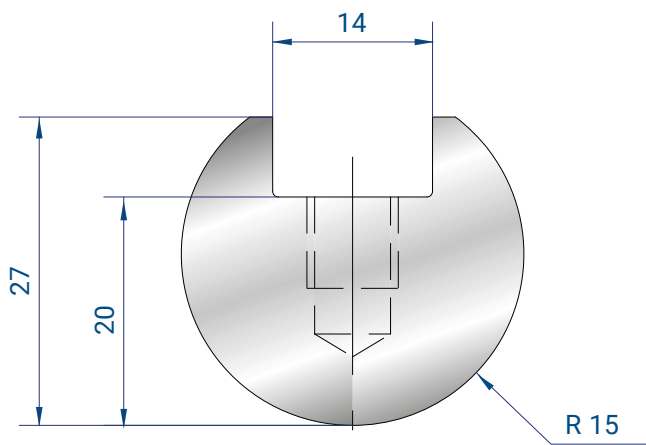
835 mm	3,0 kg
415 mm	1,0 kg



1109

Mat = C45

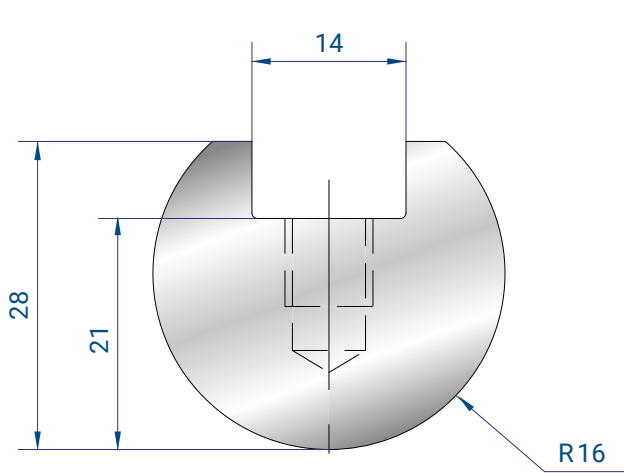
835 mm	4,0 kg
415 mm	2,0 kg



1038

Mat = C45

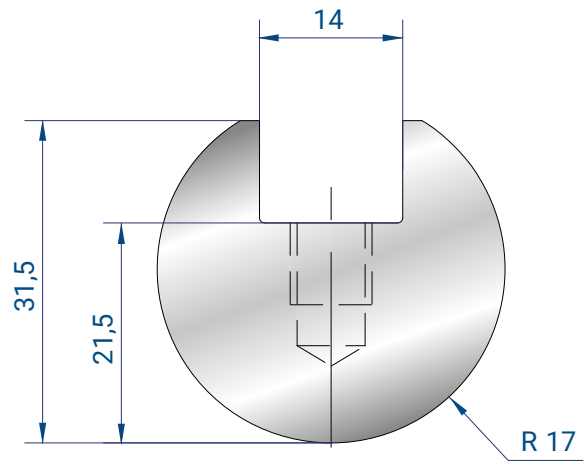
835 mm	4,0 kg
415 mm	2,0 kg



1110

Mat = C45

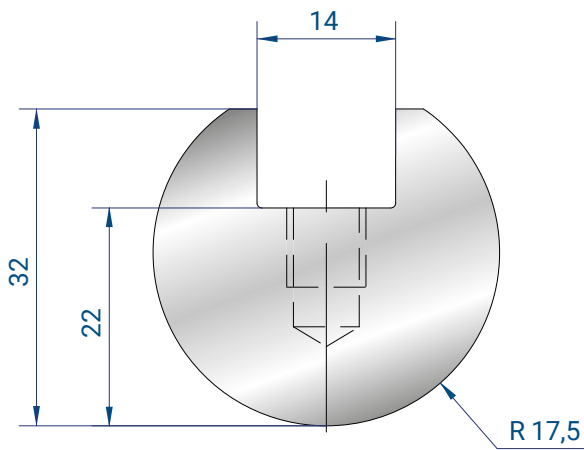
835 mm	5,0 kg
415 mm	2,0 kg



1111

Mat = C45

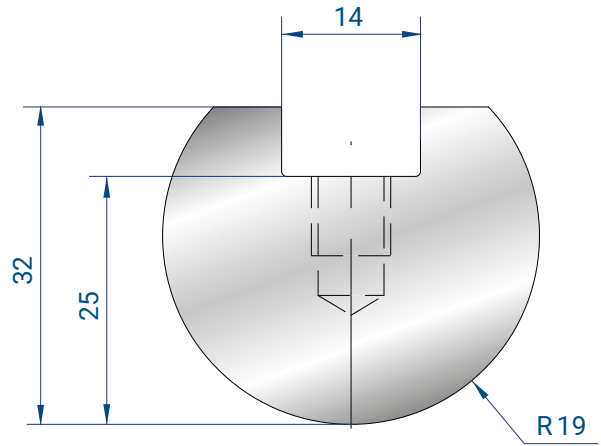
835 mm	5,0 kg
415 mm	2,5 kg



1039

Mat = C45

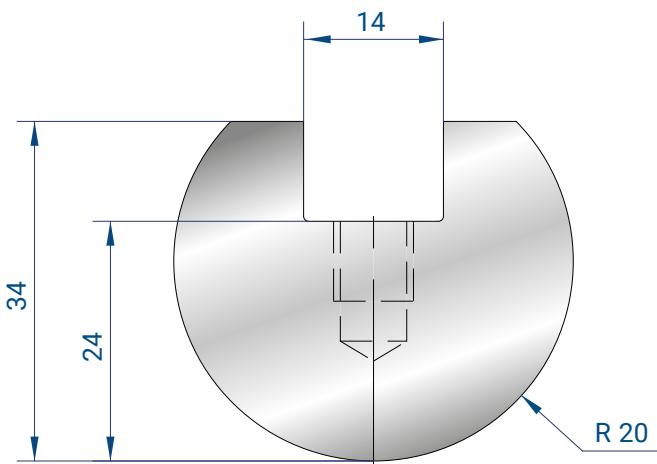
835 mm	5,0 kg
415 mm	2,5 kg



1112

Mat = C45

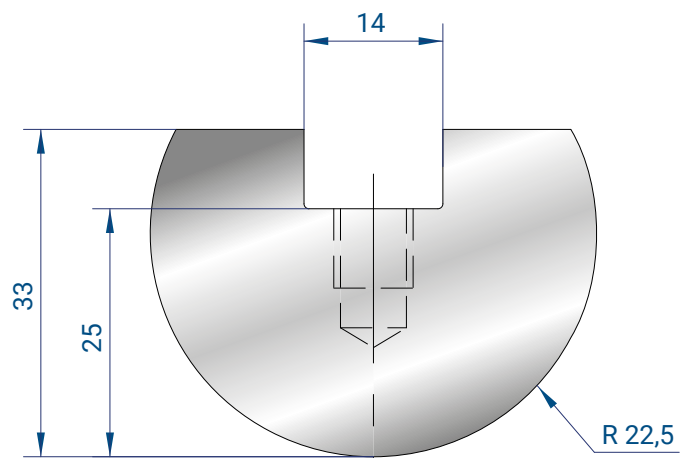
835 mm	6,0 kg
415 mm	3,0 kg



1040

Mat = C45

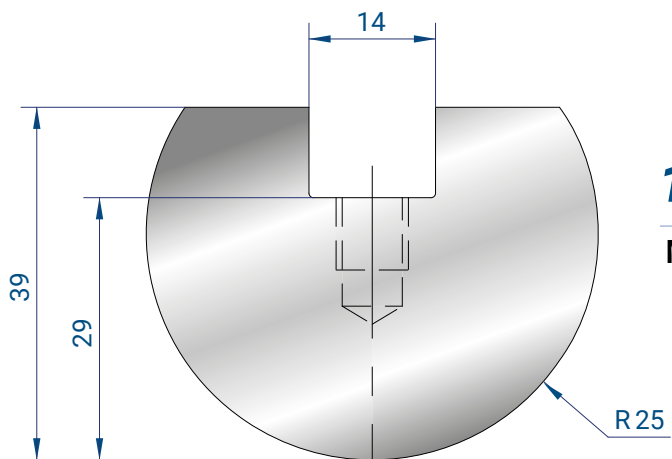
835 mm	6,0 kg
415 mm	3,0 kg



1113

Mat = C45

835 mm	8,0 kg
415 mm	4,0 kg



1041

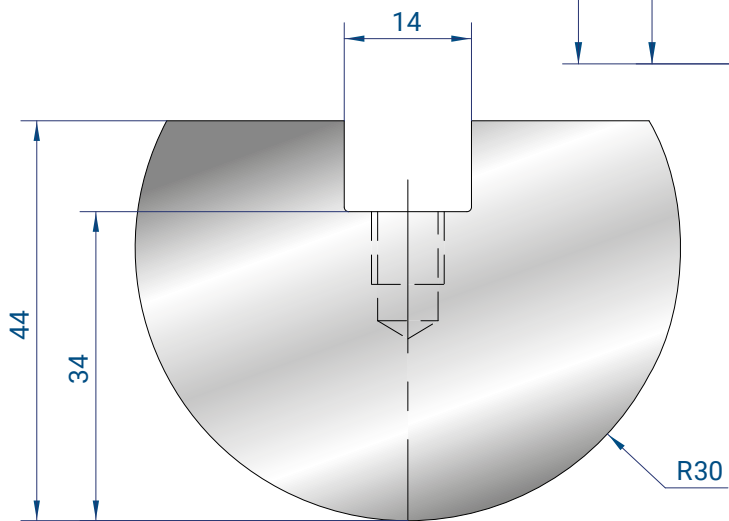
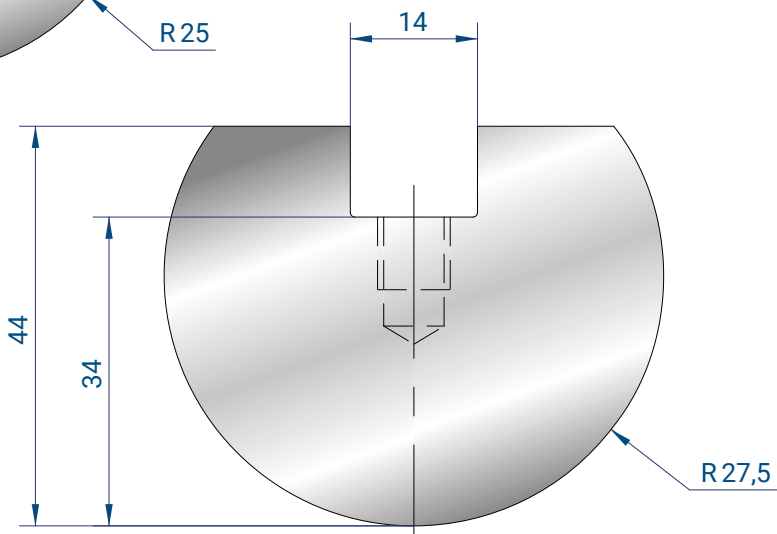
Mat = C45

835 mm	9,0 kg
415 mm	4,0 kg

1114

Mat = C45

835 mm	12,0 kg
415 mm	6,0 kg



1042

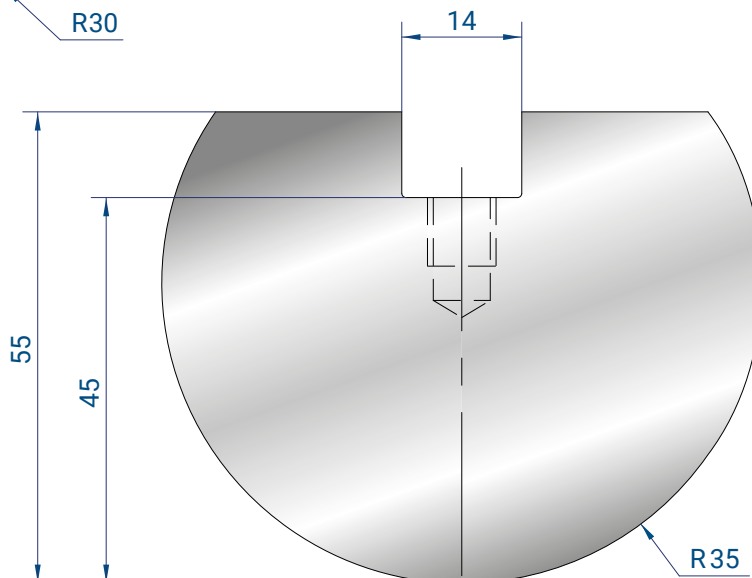
Mat = C45

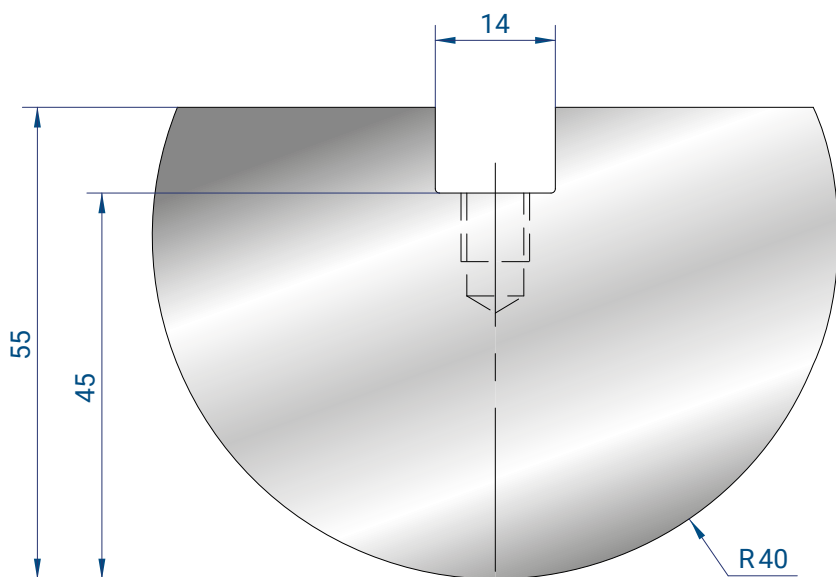
835 mm	13,0 kg
415 mm	6,0 kg

1115

Mat = C45

835 mm	21,0 kg
415 mm	10,0 kg





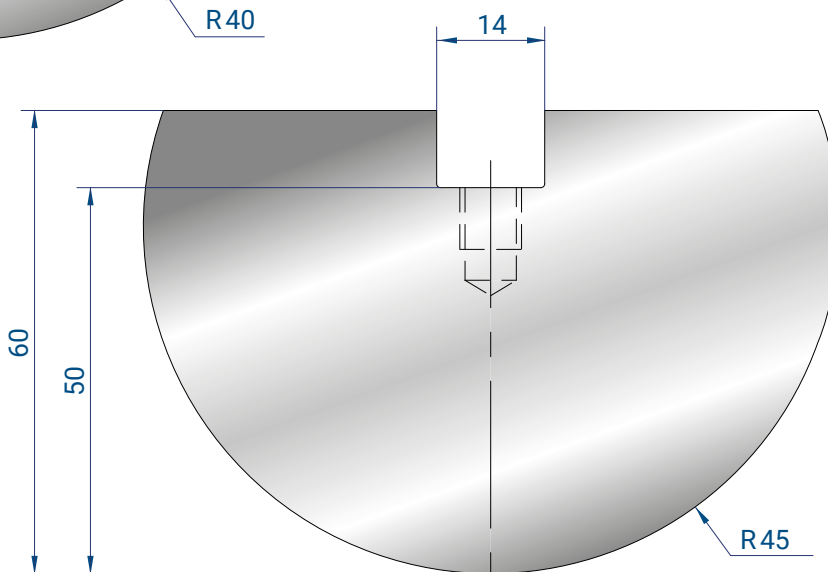
1116

Mat = C45

835 mm	24,0 kg
415 mm	12,0 kg

1117
Mat = C45

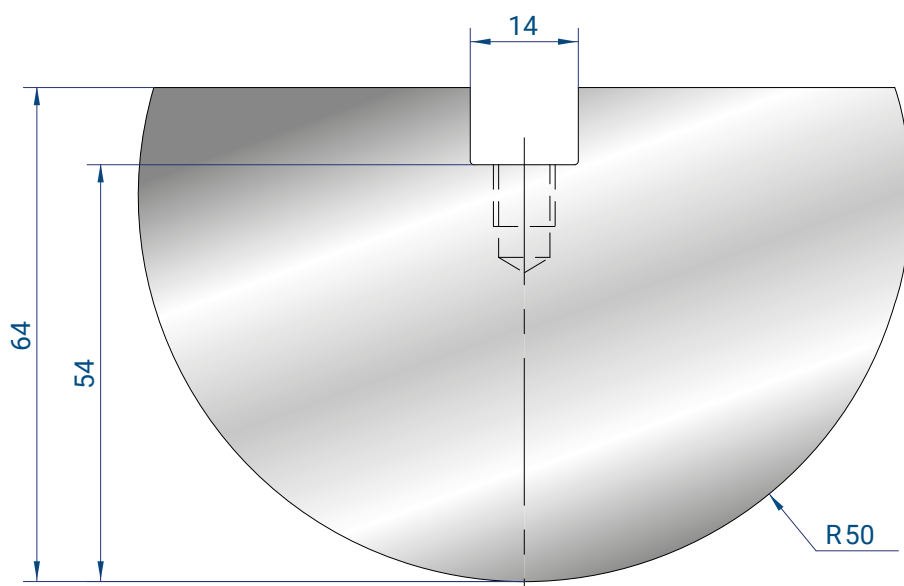
835 mm	29,0 kg
415 mm	14,0 kg



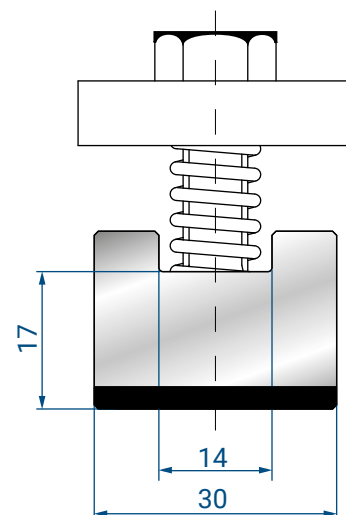
1118

Mat = C45

835 mm	34,0 kg
415 mm	17,0 kg



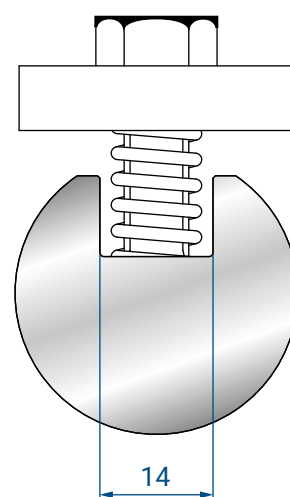
INSERTI QUADRI E ACCESSORI
FLATTENING INSERTS AND ACCESSORIES



1043

Mat = C45

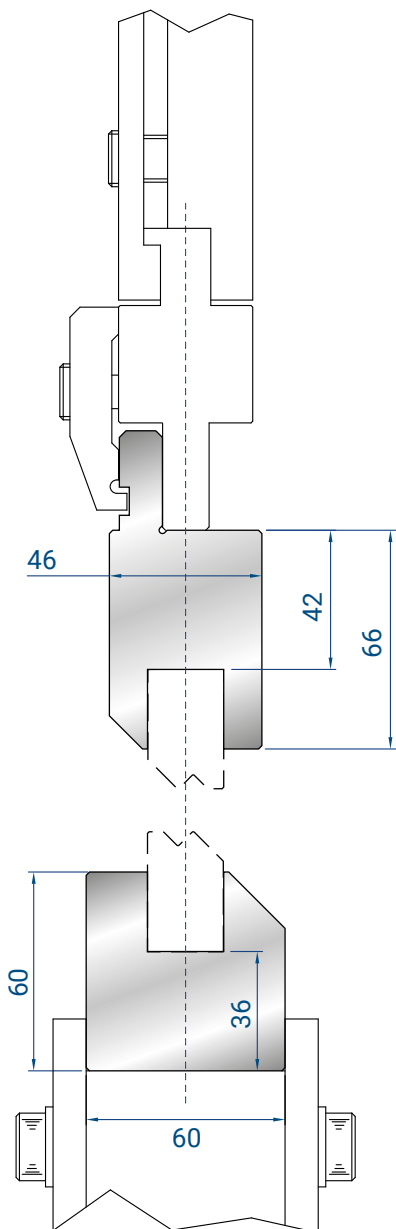
835 mm	3,0 kg
415 mm	1,0 kg



4274

Mat = C45

MOLLA + VITE + PIASTRINA
SPRING + SCREW + PLATE

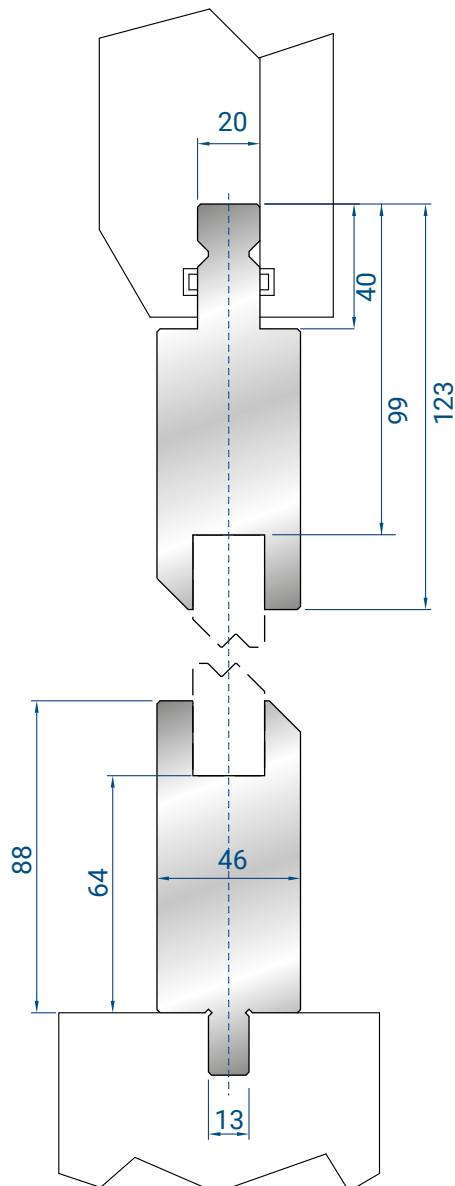


1150

AMADA /
PROMECAM
STYLE

Mat = C45

835 mm	38,0 kg
415 mm	19,0 kg

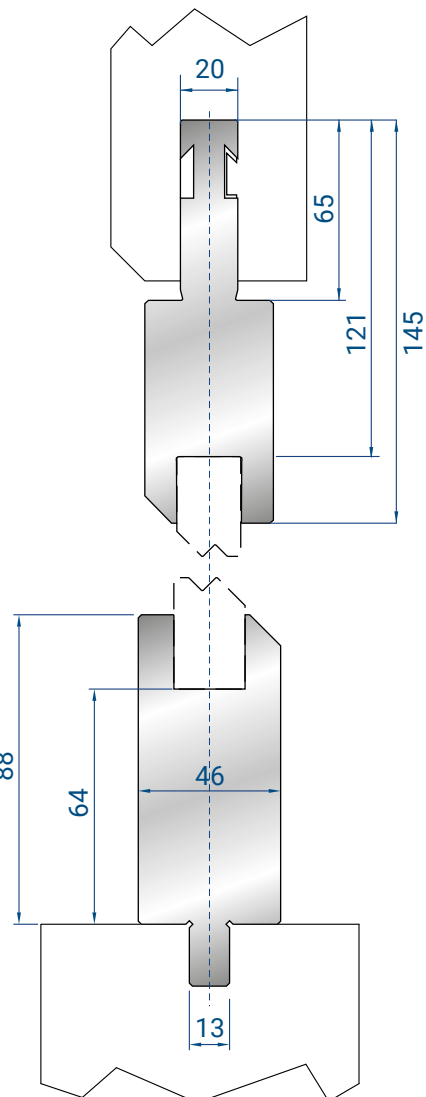


1242

TRUMPF /WILA
STYLE

Mat = C45

835 mm	50,0 kg
415 mm	25,0 kg



1198

BYSTRONIC
STYLE

Mat = C45

835 mm	51,7 kg
415 mm	25,7 kg

ATTACCO RF-A INCLUSO
SU RICHIESTA
RF-A TANG INCLUDED
ON DEMAND

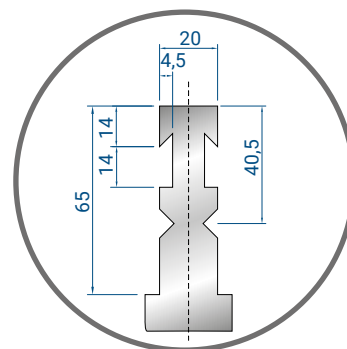
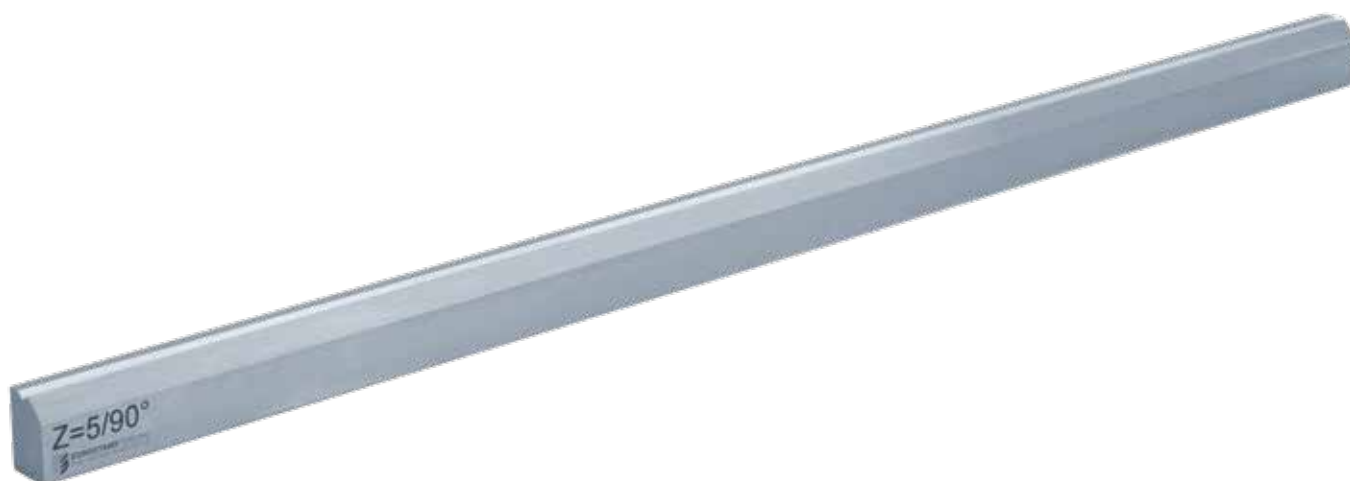
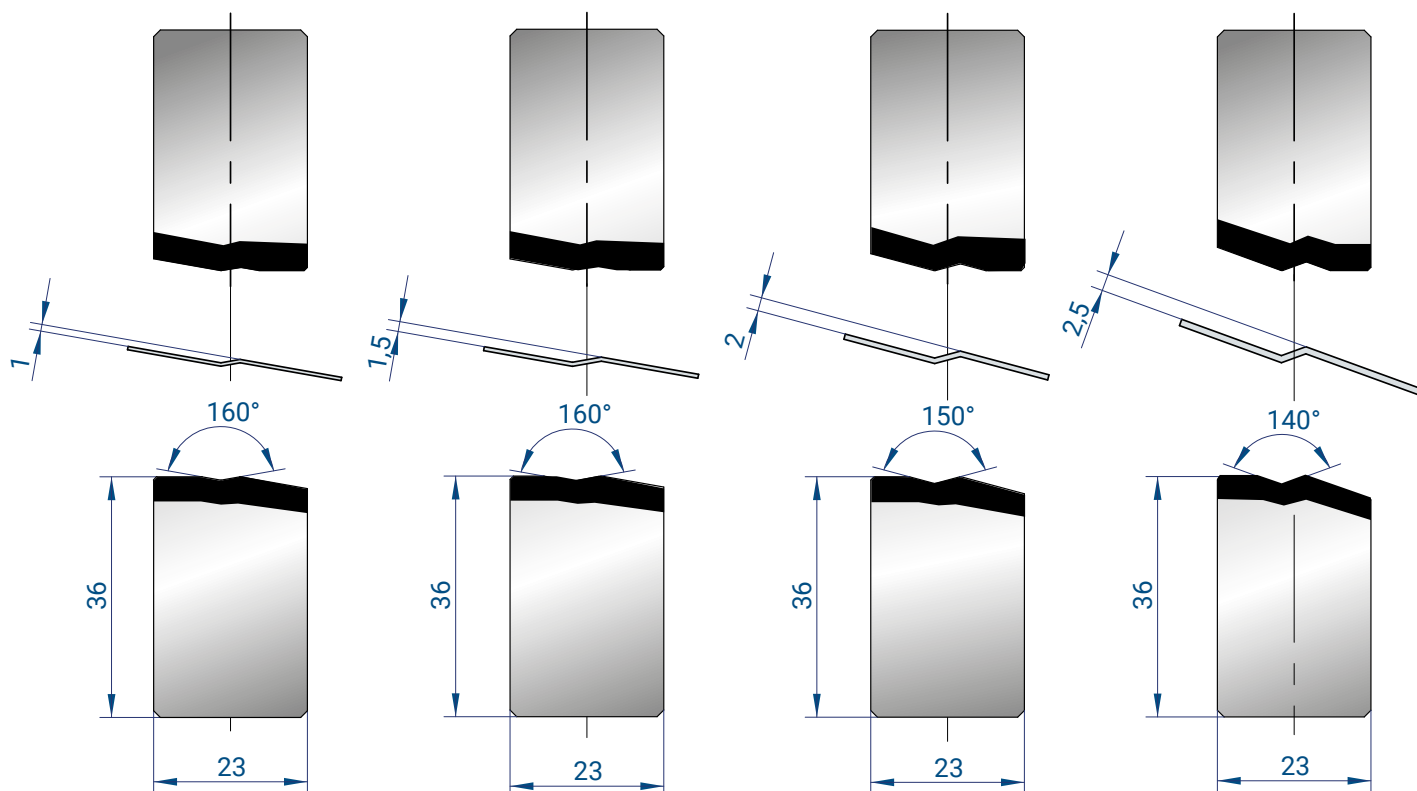


TABELLA INSERTI A Z / OFFSET TOOL HOLDERS

CODE	Z	GRADI DEGREES	SPESSORE MAX. LAMIERA MAX SHEET THICKNESS
1130	1	160°	0,5 mm
1276	1	90°	0,5 mm
1131	1,5	160°	0,6 mm
1277	1,5	90°	0,6 mm
1132	2	150°	0,8 mm
1274	2	90°	0,8 mm
1133	2,5	140°	1,0 mm
1275	2,5	90°	1,0 mm
1134	3	90°	1,0 mm
1135	3,5	90°	1,2 mm
1136	4	90°	1,2 mm
1137	4,5	90°	1,5 mm
1138	5	90°	1,5 mm
1139	5,5	90°	1,5 mm
1140	6	90°	1,5 mm
1141	6,5	90°	1,5 mm
1142	7	90°	2,0 mm
1143	7,5	90°	2,0 mm
1144	8	90°	2,5 mm
1145	9	90°	2,5 mm
1146	10	90°	3,0 mm
1147	11	90°	3,0 mm
1148	12	90°	3,0 mm
1278	13	90°	3,0 mm
1279	14	90°	3,0 mm
1280	15	90°	3,0 mm



INSERTI A Z - 140° - 150° - 160°
 OFFSET TOOL - 140° - 150° - 160°



1130

160°
Mat = C45

835 mm	10,0 kg
415 mm	5,0 kg

1131

160°
Mat = C45

835 mm	10,0 kg
415 mm	5,0 kg

1132

150°
Mat = C45

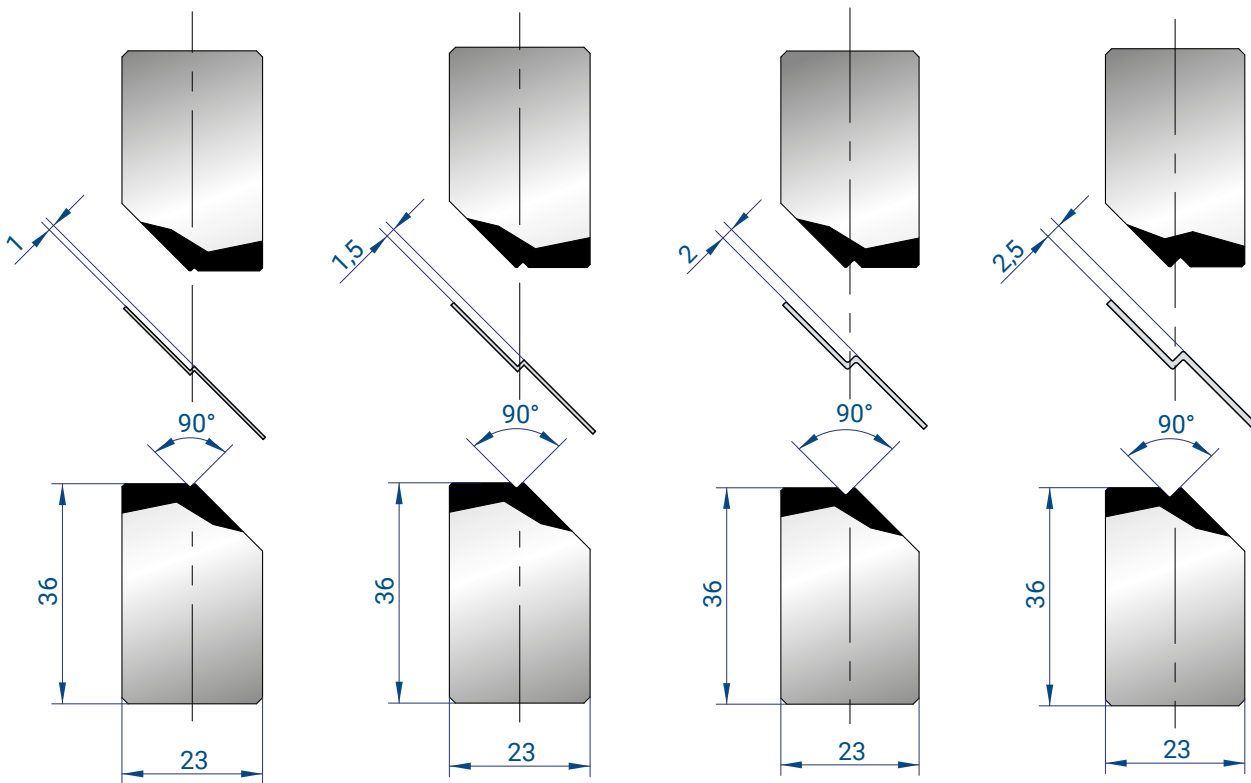
835 mm	10,0 kg
415 mm	5,0 kg

1133

140°
Mat = C45

835 mm	10,0 kg
415 mm	5,0 kg

PER VERIFICARE LA FATTIBILITÀ DELLA PIEGA IN BASE ALLO SPESSORE LAMIERA, VEDI TABELLA PAGINA 196
 TO CHOOSE THE RIGHT JOOGLE TOOL BASED ON THE SHEET THICKNESS, PLEASE SEE THE CHART ON PAGE 196



1276

90°
Mat = C45

835 mm	10,0 kg
415 mm	5,0 kg

1277

90°
Mat = C45

835 mm	10,0 kg
415 mm	5,0 kg

1274

90°
Mat = C45

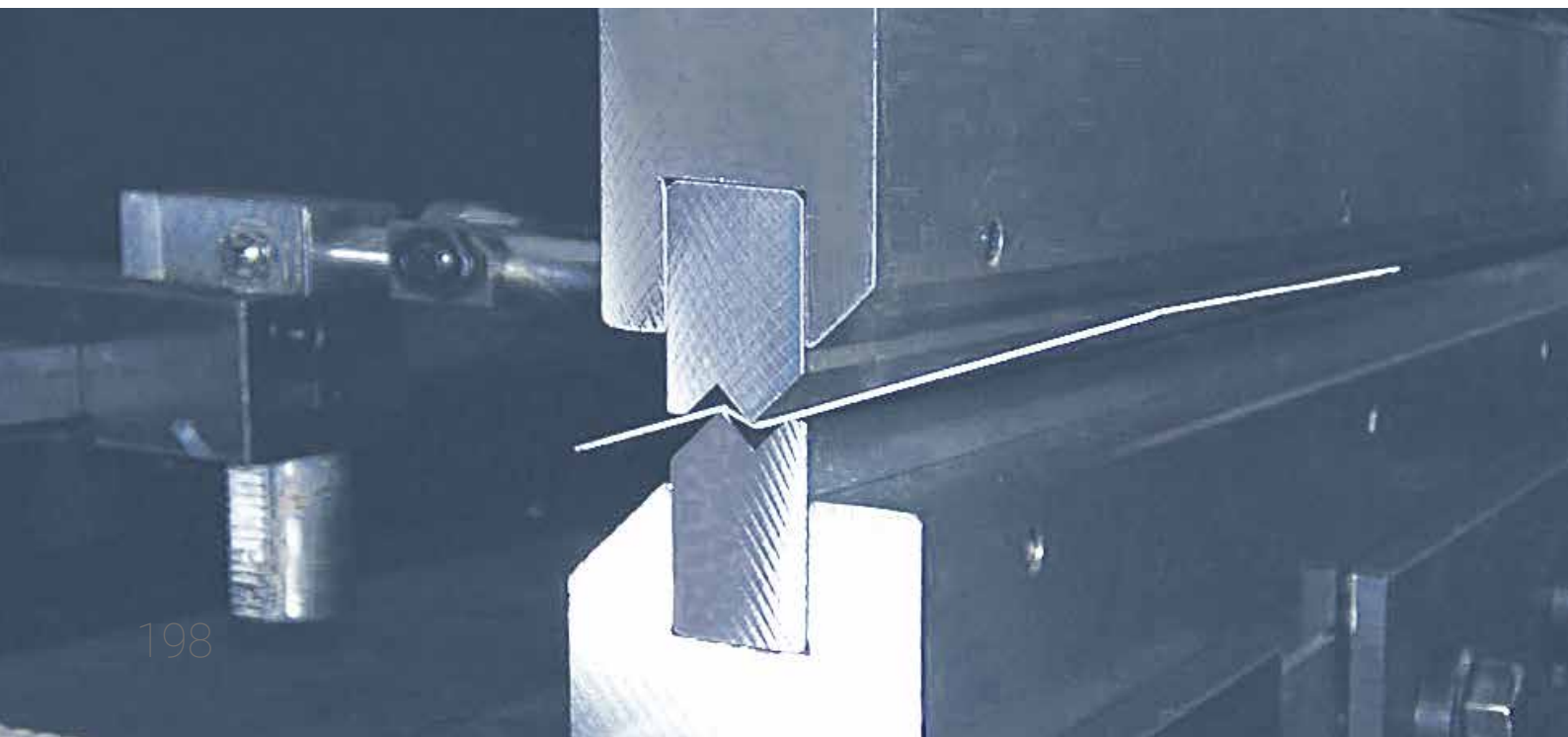
835 mm	10,0 kg
415 mm	5,0 kg

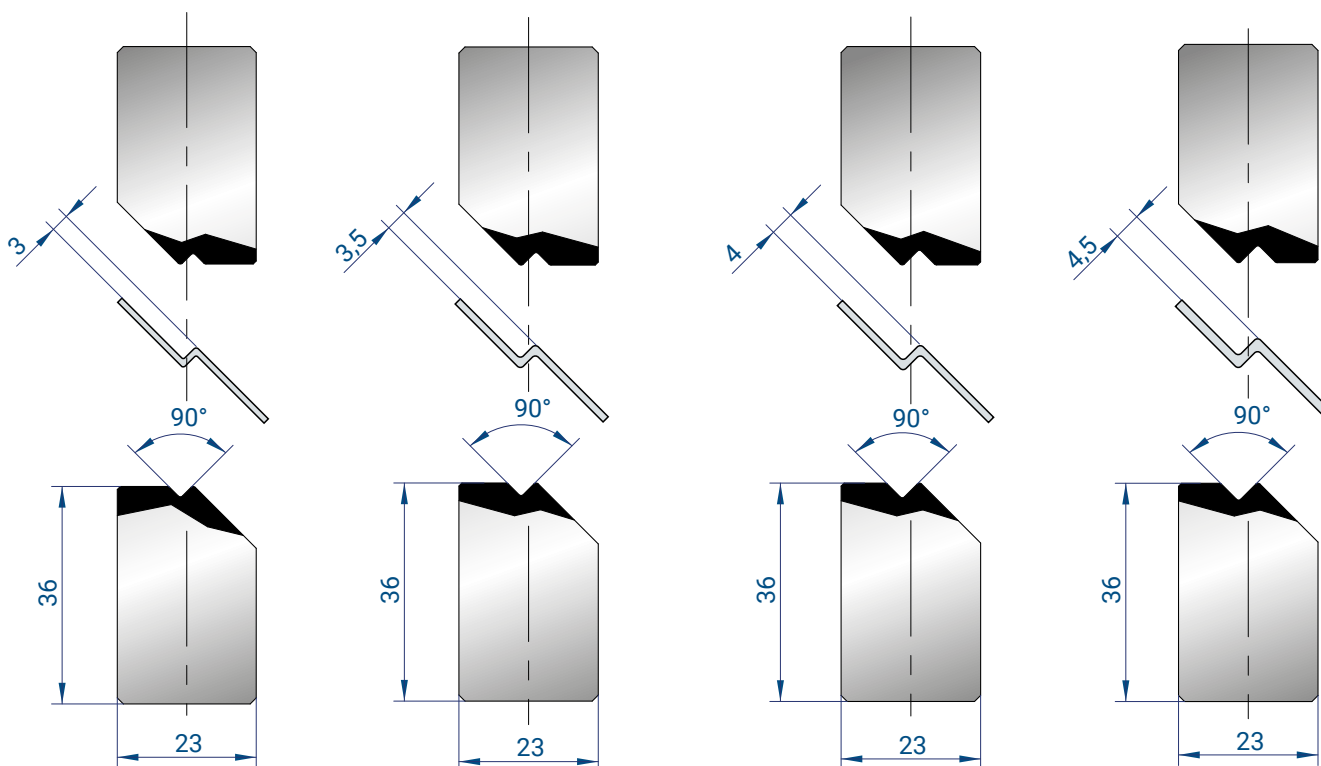
1275

90°
Mat = C45

835 mm	10,0 kg
415 mm	5,0 kg

PER VERIFICARE LA FATTIBILITÀ DELLA PIEGA IN BASE ALLO SPESSORE LAMIERA, VEDI TABELLA PAGINA 196
TO CHOOSE THE RIGHT JOOGLE TOOL BASED ON THE SHEET THICKNESS, PLEASE SEE THE CHART ON PAGE 196





1134

90°
Mat = C45

835 mm	10,0 kg
415 mm	5,0 kg

1135

90°
Mat = C45

835 mm	10,0 kg
415 mm	5,0 kg

1136

90°
Mat = C45

835 mm	10,0 kg
415 mm	5,0 kg

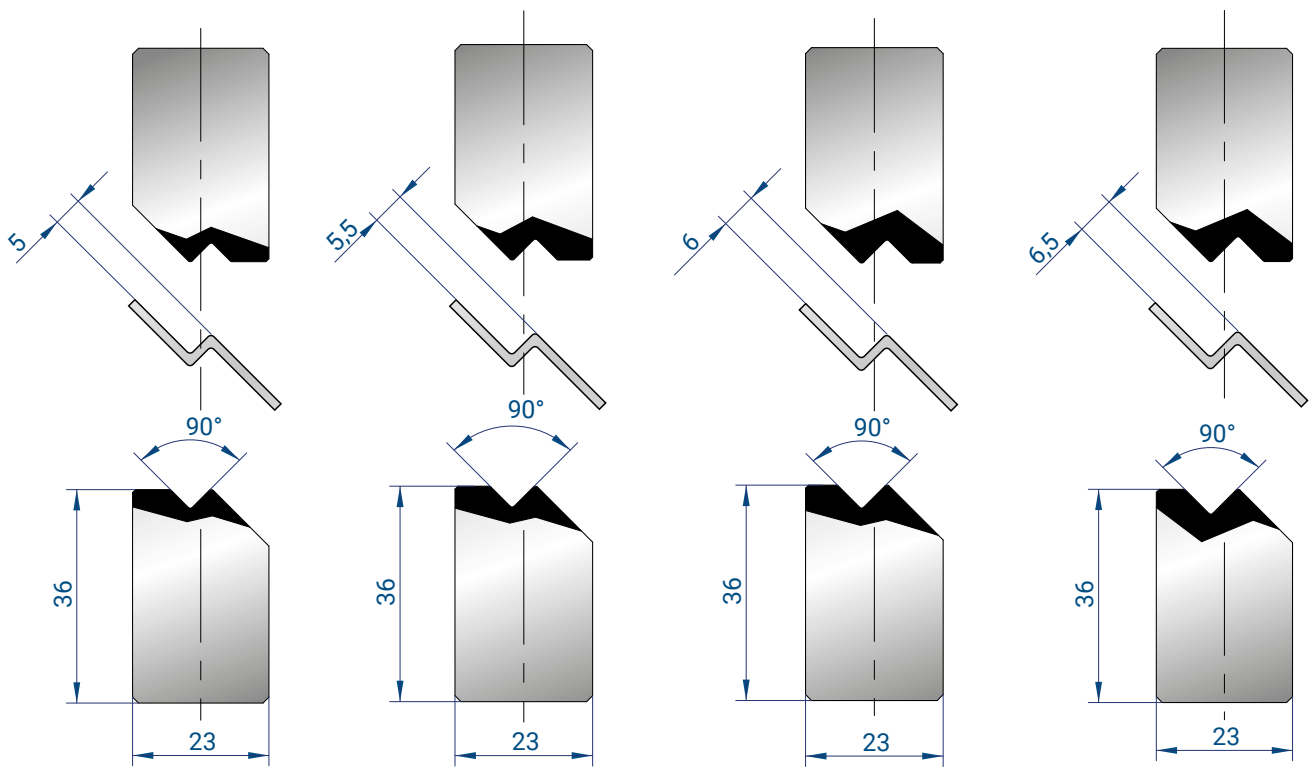
1137

90°
Mat = C45

835 mm	10,0 kg
415 mm	5,0 kg

PER VERIFICARE LA FATTIBILITÀ DELLA PIEGA IN BASE ALLO SPESSORE LAMIERA, VEDI TABELLA PAGINA 196
TO CHOOSE THE RIGHT JOOGLE TOOL BASED ON THE SHEET THICKNESS, PLEASE SEE THE CHART ON PAGE 196





1138

90°
Mat = C45

835 mm	10,0 kg
415 mm	5,0 kg

1139

90°
Mat = C45

835 mm	10,0 kg
415 mm	5,0 kg

1140

90°
Mat = C45

835 mm	10,0 kg
415 mm	5,0 kg

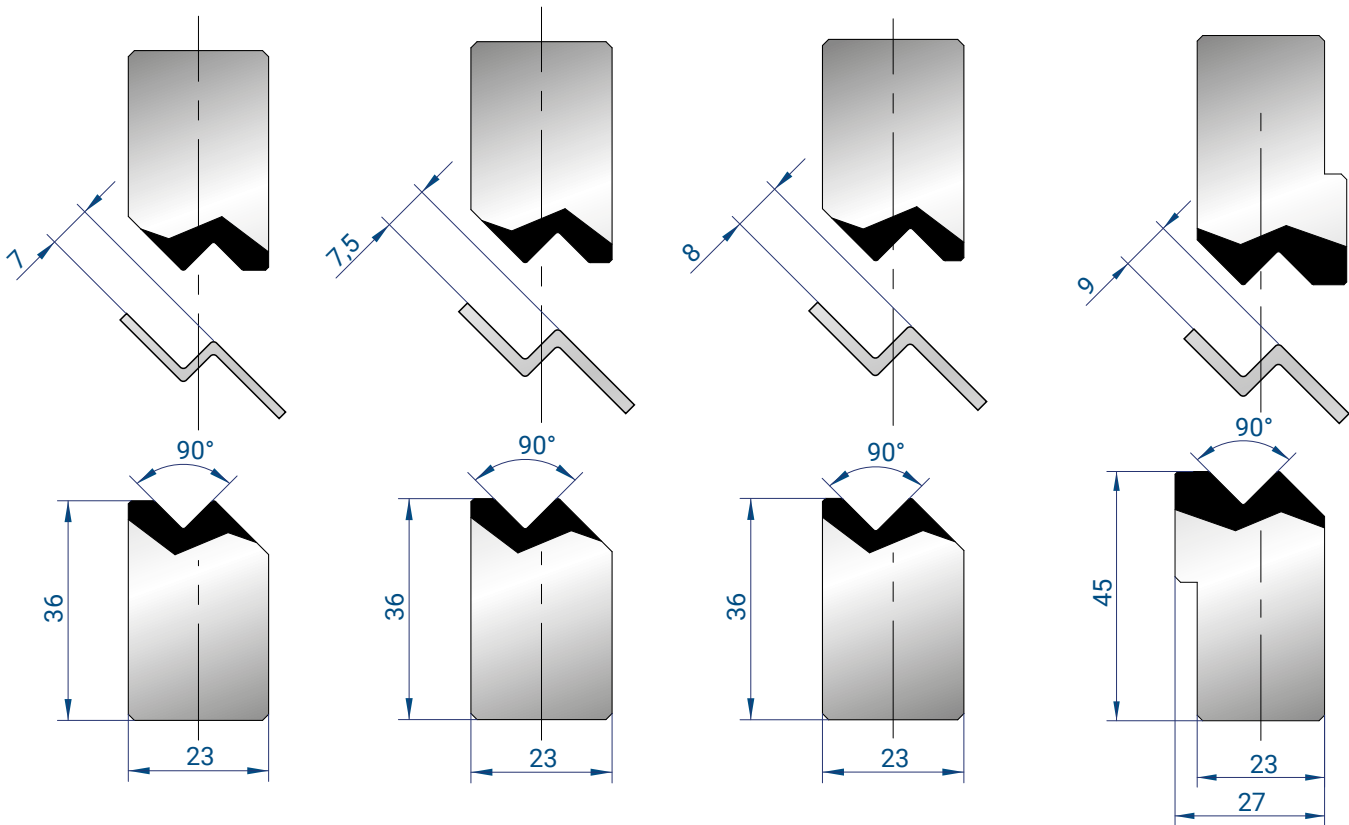
1141

90°
Mat = C45

835 mm	10,0 kg
415 mm	5,0 kg

PER VERIFICARE LA FATTIBILITÀ DELLA PIEGA IN BASE ALLO SPESSORE LAMIERA, VEDI TABELLA PAGINA 196
TO CHOOSE THE RIGHT JOOGLE TOOL BASED ON THE SHEET THICKNESS, PLEASE SEE THE CHART ON PAGE 196





1142

90°
Mat = C45

835 mm	10,0 kg
415 mm	5,0 kg

1143

90°
Mat = C45

835 mm	10,0 kg
415 mm	5,0 kg

1144

90°
Mat = C45

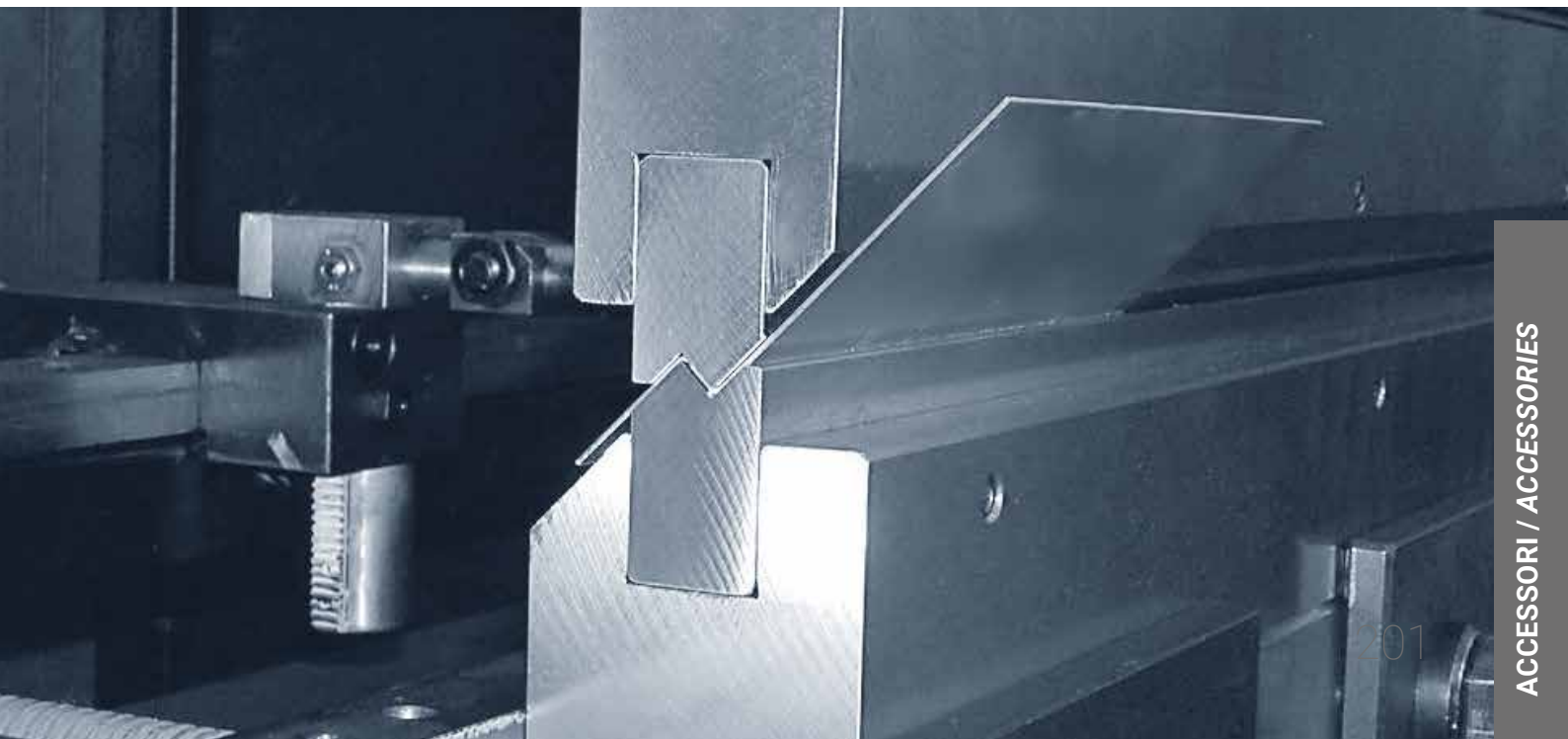
835 mm	10,0 kg
415 mm	5,0 kg

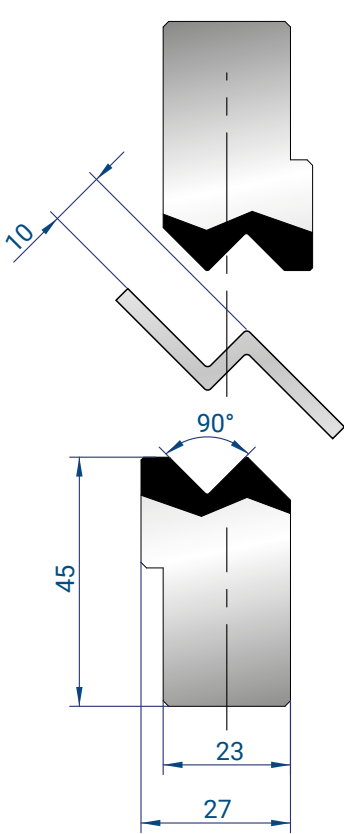
1145

90°
Mat = C45

835 mm	10,0 kg
415 mm	5,0 kg

PER VERIFICARE LA FATTIBILITÀ DELLA PIEGA IN BASE ALLO SPESSORE LAMIERA, VEDI TABELLA PAGINA 196
TO CHOOSE THE RIGHT JOOGLE TOOL BASED ON THE SHEET THICKNESS, PLEASE SEE THE CHART ON PAGE 196

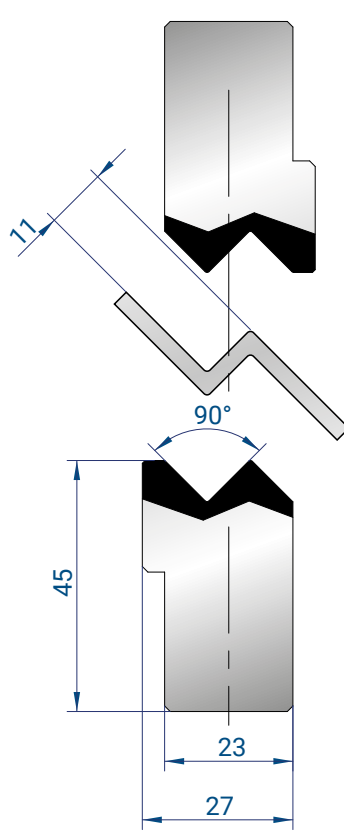




1146

90°
Mat = C45

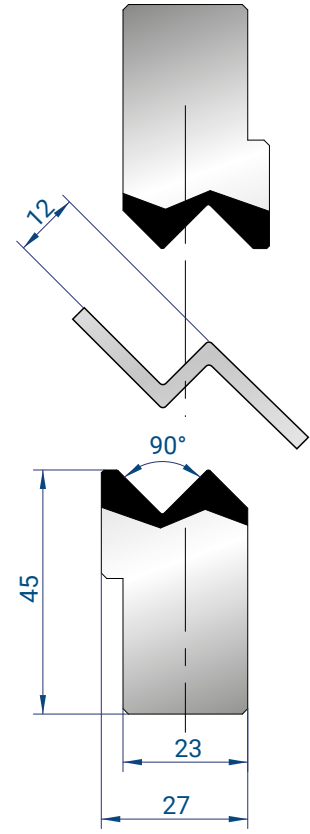
835 mm	11,0 kg
415 mm	6,0 kg



1147

90°
Mat = C45

835 mm	11,0 kg
415 mm	6,0 kg

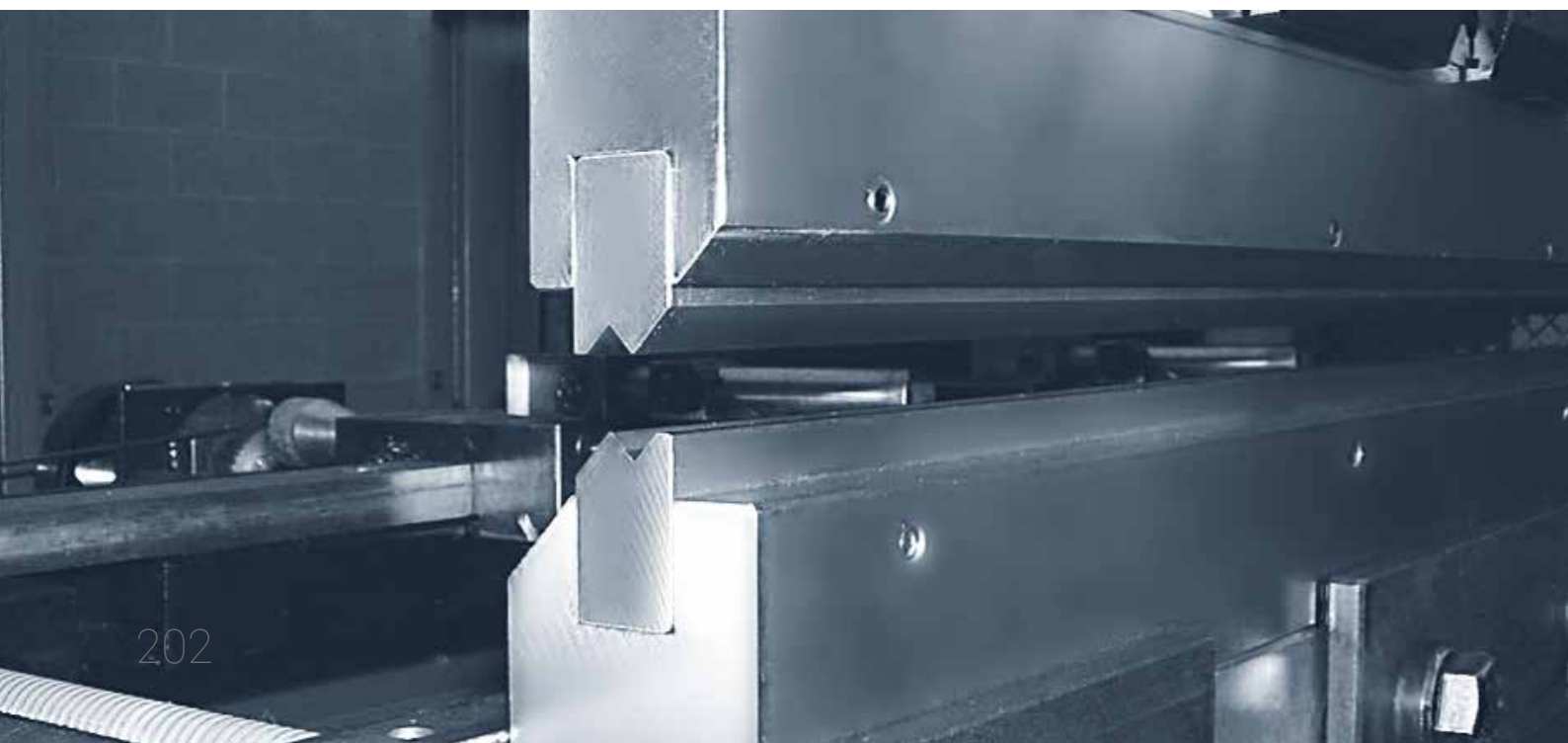


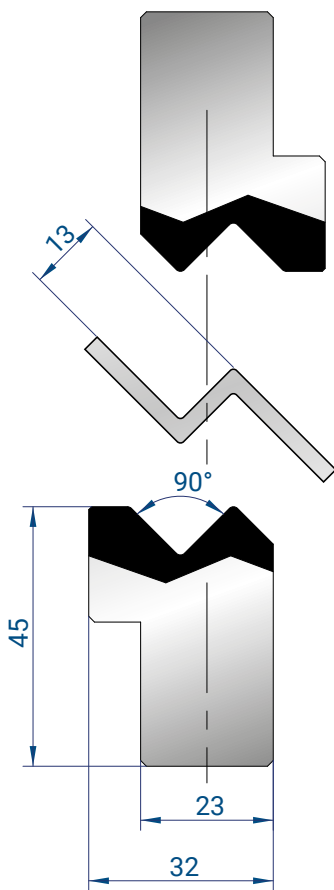
1148

90°
Mat = C45

835 mm	11,0 kg
415 mm	6,0 kg

PER VERIFICARE LA FATTIBILITÀ DELLA PIEGA IN BASE ALLO SPESSORE LAMIERA, VEDI TABELLA PAGINA 196
TO CHOOSE THE RIGHT JOOGLE TOOL BASED ON THE SHEET THICKNESS, PLEASE SEE THE CHART ON PAGE 196

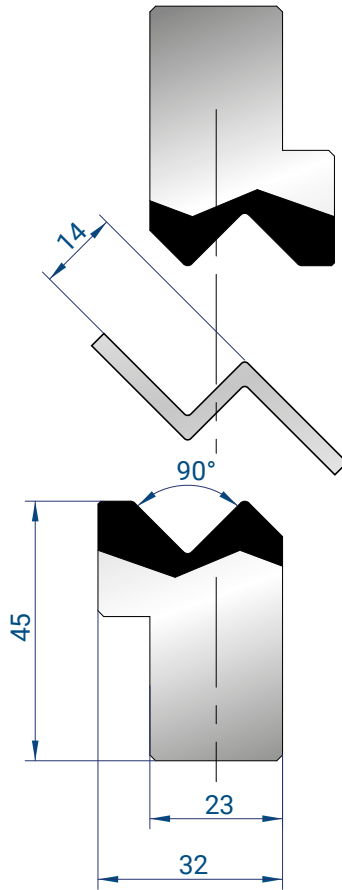




1278

90°
Mat = C45

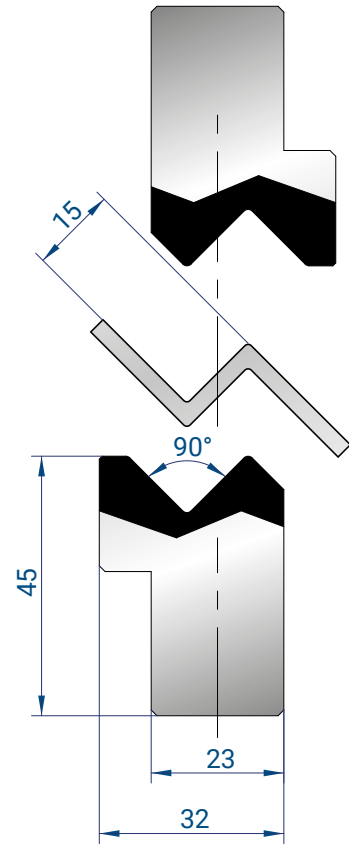
835 mm	12,0 kg
415 mm	6,0 kg



1279

90°
Mat = C45

835 mm	12,0 kg
415 mm	6,0 kg

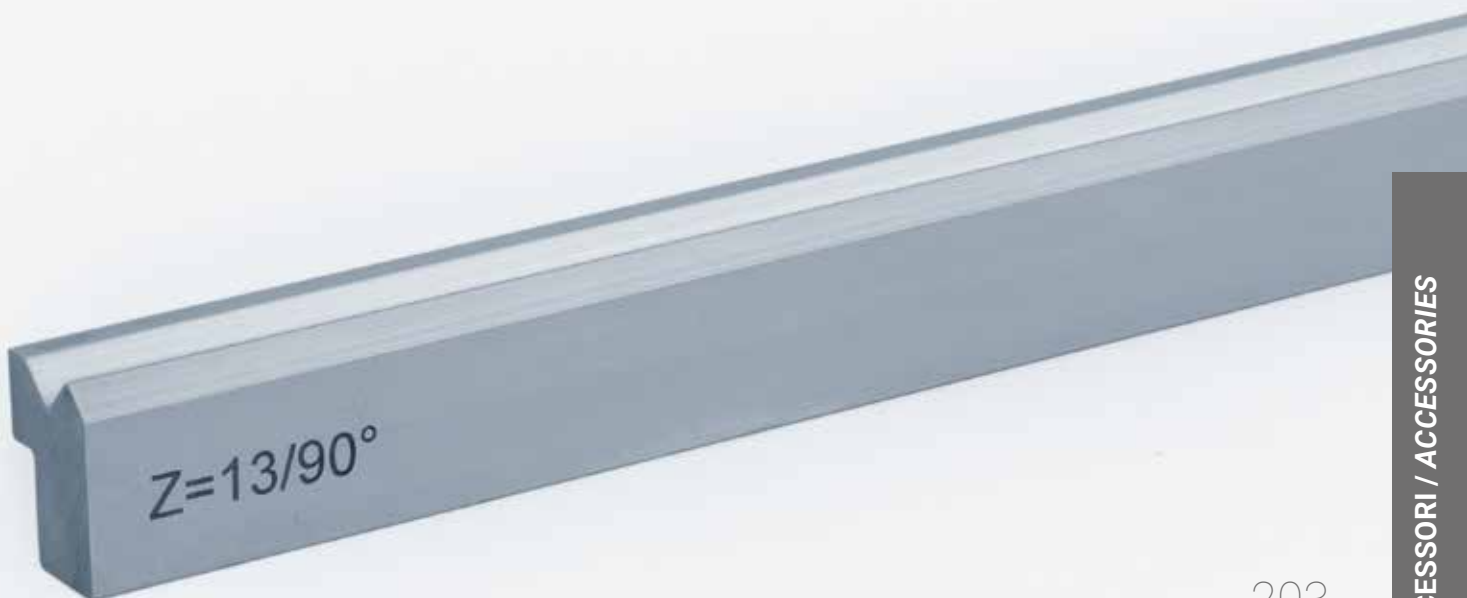


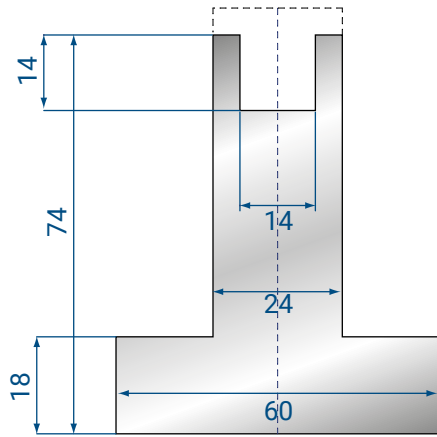
1280

90°
Mat = C45

835 mm	12,0 kg
415 mm	6,0 kg

PER VERIFICARE LA FATTIBILITÀ DELLA PIEGA IN BASE ALLO SPESSORE LAMIERA, VEDI TABELLA PAGINA 196
TO CHOOSE THE RIGHT JOOGLE TOOL BASED ON THE SHEET THICKNESS, PLEASE SEE THE CHART ON PAGE 196

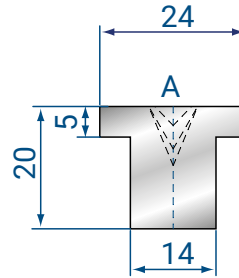




2109

AMADA STYLE

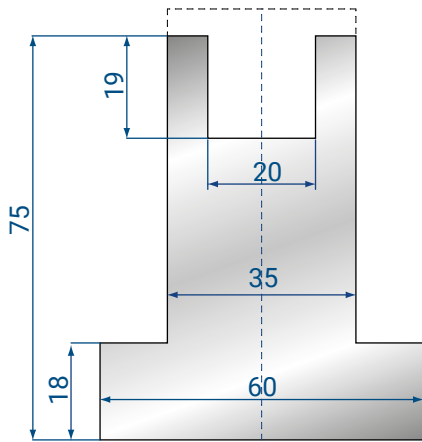
835 mm	15,0 kg
415 mm	7,0 kg



2112

835 mm	0,3 kg
415 mm	0,2 kg

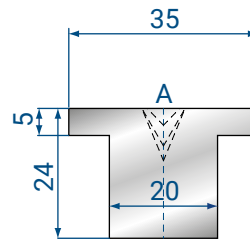
A	V		
88°	6	8	10
60°	6	8	10
45°	6	8	10
30°	6	8	



2110

AMADA STYLE

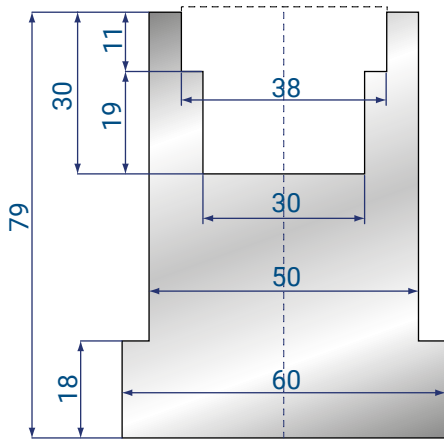
835 mm	19,0 kg
415 mm	9,0 kg



2113

835 mm	0,4 kg
415 mm	0,2 kg

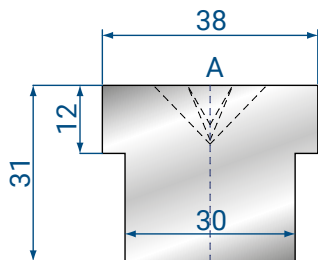
A	V				
88°	6	8	10	12	16
60°	6	8	10	12	16
45°	6	8	10	12	
30°	6	8	10		



2111

AMADA STYLE

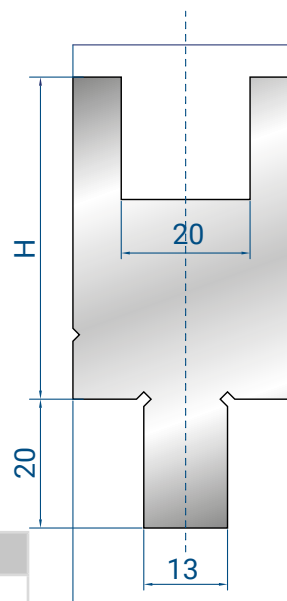
835 mm	22,0 kg
415 mm	11,0 kg



2114

835 mm	0,4 kg
415 mm	0,2 kg

A	V							
88°	6	8	10	12	16	20	25	
60°	6	8	10	12	16	20		
45°	6	8	10	12	16	20		
30°	6	8	10	12	16			



2115

BYSTRONIC TRUMPF WILA STYLE

H = 50

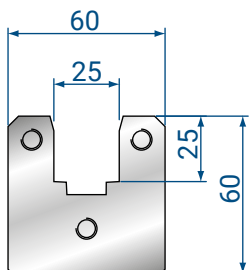
835 mm	11,0 kg
415 mm	5,0 kg

2116

BYSTRONIC TRUMPF WILA STYLE

H = 95

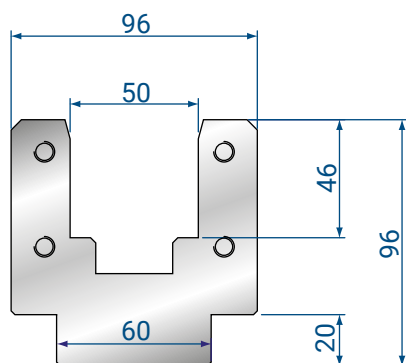
835 mm	19,0 kg
415 mm	9,0 kg



2036

AMADA STYLE

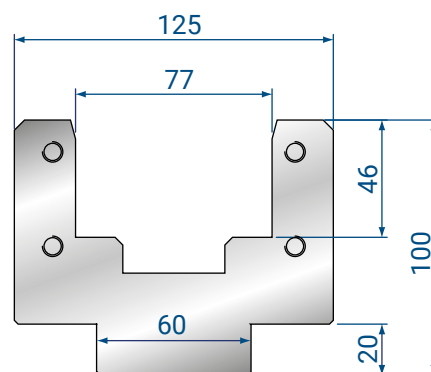
835 mm	19,0 kg
415 mm	9,0 kg



2037

AMADA STYLE

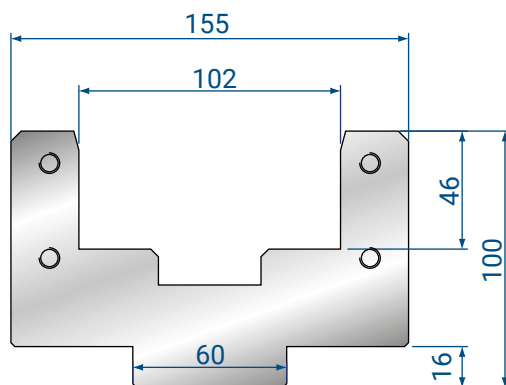
835 mm	37,0 kg
415 mm	18,0 kg



2038

AMADA STYLE

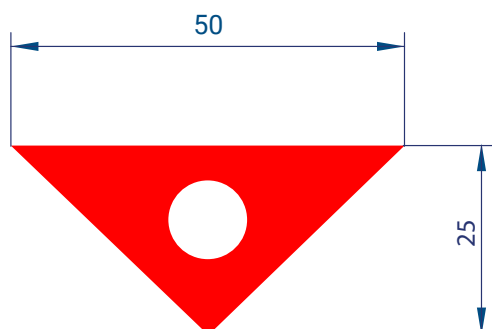
835 mm	45,0 kg
415 mm	22,0 kg



2040

AMADA STYLE

835 mm	55,0 kg
415 mm	27,0 kg



2119

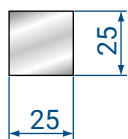
Mat = Inserto in poliuretano triangolare forato/
Perforated triangular polyurethane insert

H = 25.00

v = 50.00

835 mm	0,6 kg
415 mm	0,3 kg

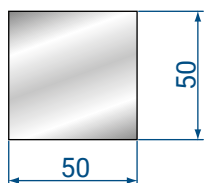
CONTENITORI E INSERTI IN POLIURETANO
POLYURETHANE INSERTS AND HOLDER



2101

92 SHORE

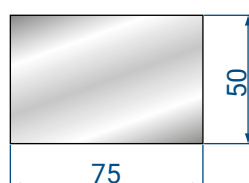
835 mm	0,7 kg
415 mm	0,3 kg



2102

92 SHORE

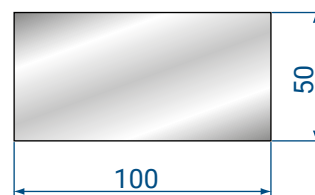
835 mm	2,5 kg
415 mm	1,0 kg



2103

92 SHORE

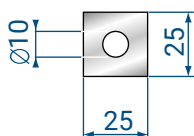
835 mm	3,5 kg
415 mm	1,0 kg



2104

92 SHORE

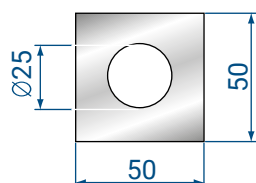
835 mm	5,0 kg
415 mm	2,0 kg



2105

92 SHORE

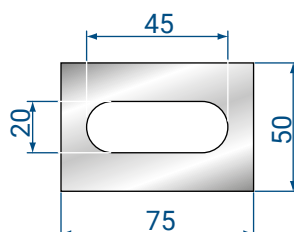
835 mm	0,6 kg
415 mm	0,3 kg



2106

92 SHORE

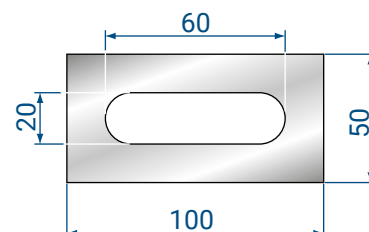
835 mm	2,2 kg
415 mm	1,0 kg



2107

92 SHORE

835 mm	3,2 kg
415 mm	1,0 kg



2108

92 SHORE

835 mm	4,5 kg
415 mm	2,0 kg



COMPLETO SISTEMA DI CONNESSIONE PER UTENSILI SUPERIORI STILE EUROPEO (STILE AMADA/PROMECAM) COMPLETE CLAMPING SYSTEM FOR EUROPEAN STYLE TOOLING (AMADA/PROMECAM STYLE)

PROCESSO DI SOSTITUZIONE UTENSILI CON SISTEMI TRADIZIONALI

Il sistema tradizionale prevede di installare gli utensili superiori tramite staffe di sicurezza avvitate agli intermediari connessi alla tavola superiore.

Il dente presente sulla staffa dell'intermediario lavora nella cava di sicurezza fresata sul punzone per impedirne la caduta accidentale, ma costringe ad inserire/estrarre ogni utensile dal lato macchina e a trascinarlo in posizione operativa.

Quando i punzoni sono posizionati correttamente è necessario pre-serrare le staffe, poi "chiudendo" la macchina, si sollevano e spingono gli utensili a contatto con gli intermediari per allinearli ottimamente.

Il tempo per eseguire questa operazione viene sottratto al tempo di piegatura e può assumere una importanza rilevante nel calcolo della produttività.

ACTUAL TOOLING REPLACEMENT PROCEDURE

The standard system requires to install the upper tooling through safety clamps screwed on the intermediates connected to the upper machine table.

The clamps safety tang engages into the safety groove machined on the punch front: this combination ensures the tools will not drop out of the clamp when opened to replace them. In order to remove or insert punch tooling, one has to slide the tools horizontally, along the machine length, to the left or right from/to its working position. Note the tools cannot be removed or inserted vertically with this safety feature.

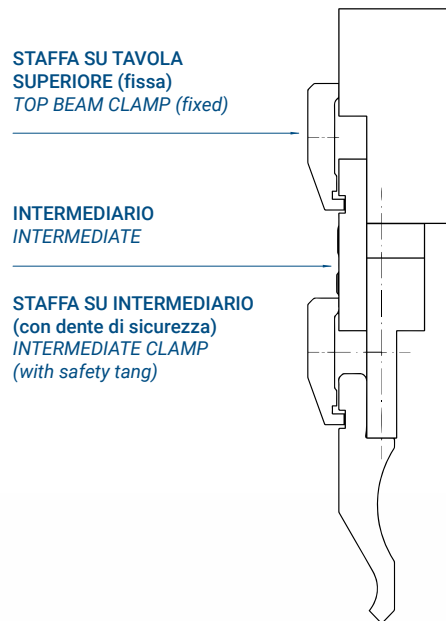
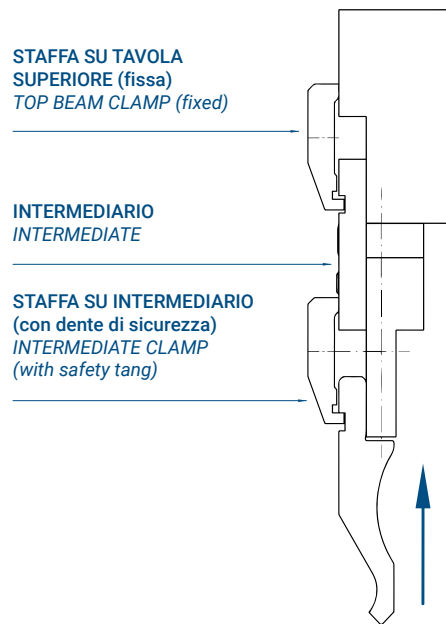
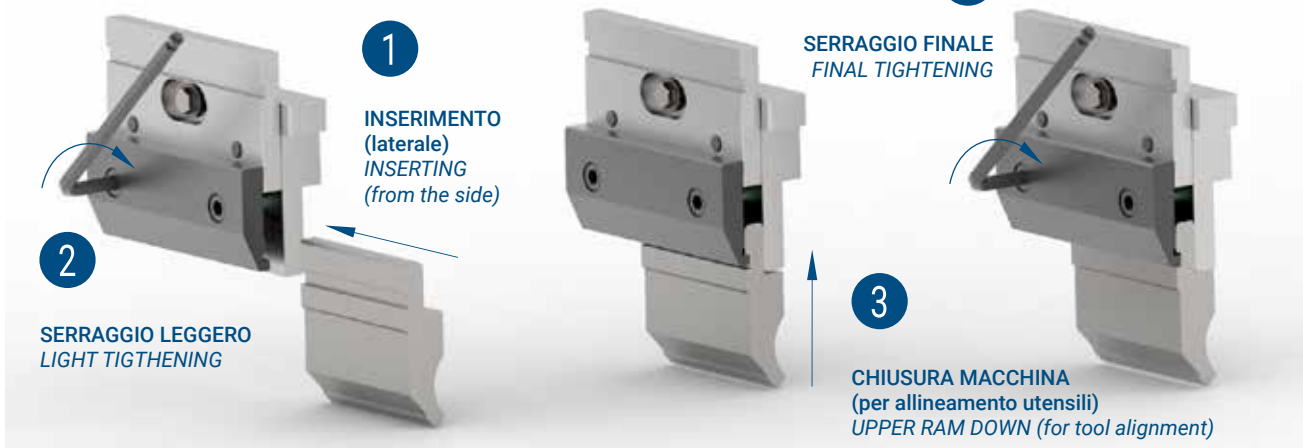
Once the new punches are correctly inserted it is necessary to follow the procedure below:

slightly tighten all the clamp screws,

lower the upper beam and push the tooling against their reference surface (bottom side of intermediate), this ensures alignment of the punch tooling,

finally, firmly tighten all the clamp screws

The average time required to perform the above operation is deducted from the fabrication time, the time taken can be of high importance and relevance when productivity output is a consideration.



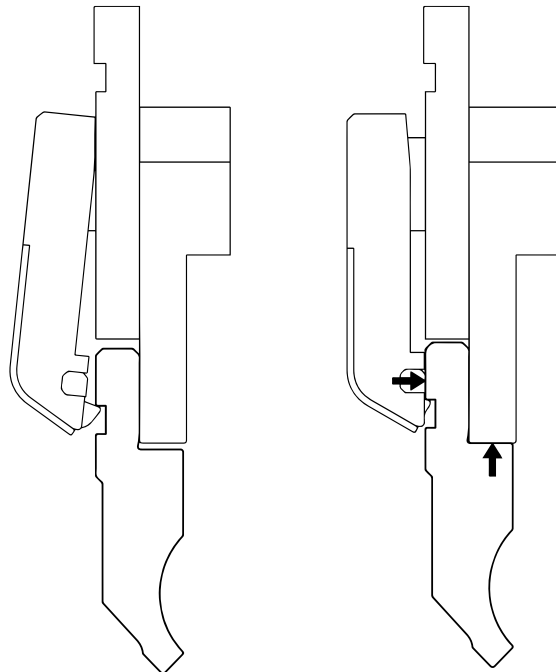
L'INNOVAZIONE EUROGRIP / THE EUROGRIP INNOVATION

La struttura meccanica della staffa Eurogrip è stata ingegnerizzata per consentire:

- l'inserimento/rimozione del punzone in senso verticale (anziché dal lato macchina) e, contemporaneamente, la garanzia del medesimo elevato livello di sicurezza.
- Il sollevamento del punzone durante la fase di chiusura per arrivare ad allinearli nel momento del bloccaggio finale

The main innovation is the Eurogrip clamp mechanical structure, engineered for allowing:

- the removal and insertion of punches in vertical direction (instead of sliding them left and right) and, at the same time, for granting the same high safety level.
- The punch lifting during the clamping phase, in order to achieve its right alignment when the clamp is locked.



IL RISPARMIO DI TEMPO / THE TIME SAVING

La tabella mostra i tempi medi necessari per ogni fase dell'operazione di rimozione e sostituzione utensili superiori su una pieghatrice de 3 metri (15 intermediari); il suo scopo è la valutazione dei vantaggi offerti dal nuovo sistema.

Comparazione tempi stimati per ogni fase della sostituzione utensili superiori (pieghatrice da 3 metri con 15 intermedi)

he table shows the average time required for each phase of any upper tooling removal and replacement operation on a 3-meter-long press brake (15 intermediates); its purpose is the evaluation of the advantages offered by the new system.

Comparison of estimated time required for each phase of an upper tooling replacement operation (press brake 3 meter long - 15 intermediates)

TEMPO RICHIESTO CON SISTEMA TRADIZIONALE

AVERAGE TIME WITH STANDARD SYSTEM

circa 9,5 minuti
about 9,5 minutes

TEMPO RICHIESTO CON SISTEMA EUROGRIP MANUALE

AVERAGE TIME REQUIRE WITH EUROGRIP MANUAL SYSTEM

circa 3,0 minuti (-70%)
about 3,0 minutes (-70%)

TEMPO RICHIESTO CON SISTEMA EUROGRIP PNEUMATICO

AVERAGE TIME REQUIRE WITH EUROGRIP PNEUMATIC SYSTEM

circa 1,5 minuti (-85%)
about 1,5 minutes (-85%)

LA PERCENTUALE DI TEMPO NECESSARIO PER UNA SOLA OPERAZIONE DI CAMBIO UTENSILI RISPETTO A UN'ORA DI LAVORO EFFETTIVO COSTITUISCE, RISPETTIVAMENTE:

- 16% con il Sistema Tradizionale
- 5% con Eurogrip Manuale
- 2,5% con Eurogrip Pneumatico

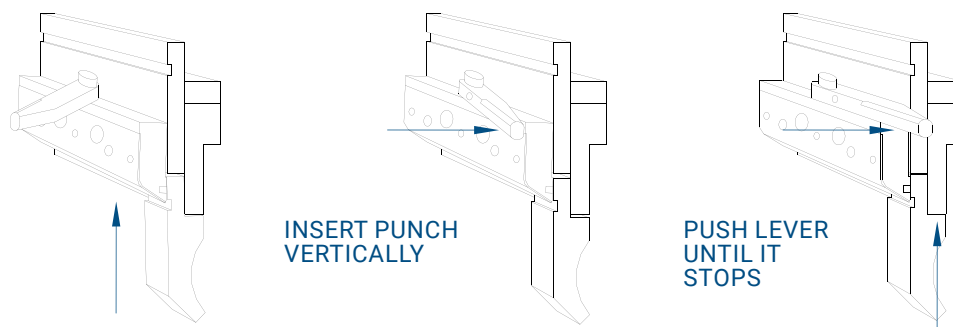
THE SHARE OF TIME REQUIRED FOR EACH TOOL REPLACEMENT OPERATION OVER A 1-HOUR FABRICATION TIME IS, RESPECTIVELY:

- 16% for the standard system;
- 5% with Eurogrip Manual
- 2,5% with Eurogrip Pneumatic

FASE OPERATIVA OPERATING PHASE	SISTEMA DI STAFFAGGIO CLAMPING SYSTEM	DESCRIZIONE OPERAZIONE OPERATION DESCRIPTION	TEMPO RICHIESTO REQUIRED TIME		
1 APERTURA STAFFE CLAMPS UNLOCKING	Sistema di staffaggio tradizionale (ogni staffa con due viti) Standard clamping system (each clamp with two screws)	Allentamento 30 viti frontali (5 sec. Cad) Untighten 30 allen bolts (5 seconds each)	150		
	Sistema di staffaggio Eurogrip manuale (M-EASY o M-TOP) Eurogrip manual clamping system (M-EASY or M-TOP)	Apertura 15 levette (3 sec. Cad) Unlock 15 handles (3 seconds each)		45	
	Sistema di staffaggio Eurogrip pneumatico (P-EASY o P-TOP) Eurogrip pneumatic clamping system (P-EASY or P-TOP)	Pressione su pulsante per apertura staffe (2 sec.) Button operation for opening the clamps (2 sec)			2
2 RIMOZIONE PUNZONI PUNCHES REMOVAL	Sistema di staffaggio tradizionale (ogni staffa con due viti) Standard clamping system (each clamp with two screws)	Trascinamento ed estrazione utensili da lato macchina Tooling sliding and extraction from machine side (3x835 + 1x SECT)	100		
	Sistema di staffaggio Eurogrip manuale (M-EASY o M-TOP) Eurogrip manual clamping system (M-EASY or M-TOP)	Rimozione verticale utensili da fronte macchina Tooling vertical removal from machine front (3x835 + 1x SECT)		50	
	Sistema di staffaggio Eurogrip pneumatico (P-EASY o P-TOP) Eurogrip pneumatic clamping system (P-EASY or P-TOP)	Rimozione verticale utensili da fronte macchina Tooling vertical removal from machine front (3x835 + 1x SECT)			50
3 INSERIMENTO PUNZONI PUNCHES INSERTION	Sistema di staffaggio tradizionale (ogni staffa con due viti) Standard clamping system (each clamp with two screws)	Inserimento utensili da lato macchina e trascinamento in posizione Tooling insertion from machine side and sliding to their position (3x835 + 1x SECT)	100		
	Sistema di staffaggio Eurogrip manuale (M-EASY o M-TOP) Eurogrip manual clamping system (M-EASY or M-TOP)	Inserimento verticale utensili da fronte macchina Tooling vertical insertion from machine front (3x835 + 1x SECT)		40	
	Sistema di staffaggio Eurogrip pneumatico (P-EASY o P-TOP) Eurogrip pneumatic clamping system (P-EASY or P-TOP)	Inserimento verticale utensili da fronte macchina Tooling vertical insertion from machine front (3x835 + 1x SECT)			40
4 CHIUSURA STAFFE CLAMPS LOCKING		Serraggio lieve 30 viti (4 secondi cad) Light tightening of 30 allen bolts (4 seconds each)	120		
	Sistema di staffaggio tradizionale (ogni staffa con due viti) Standard clamping system (each clamp with two screws)	Chiusura macchina per allineamento utensili Upper ram down for tooling alignment	10		
		Serraggio finale 30 viti (3 secondi cad) Final tightening of 30 allen bolts (3 seconds each)	90		
	Sistema di staffaggio Eurogrip manuale (M-EASY o M-TOP) Eurogrip manual clamping system (M-EASY or M-TOP)	Chiusura 15 levette (3 sec. Cad) Locking 15 handles (3 seconds each)		45	
	Sistema di staffaggio Eurogrip pneumatico (P-EASY o P-TOP) Eurogrip pneumatic clamping system (P-EASY or P-TOP)	Pressione su pulsante per chiusura staffe (2 sec.) Button operation for closing the clamps (2 sec)			2
TEMPO TOTALE PREVISTO / TOTAL ESTIMATED TIME			570 s	180 s	94 s

PRINCIPIO OPERATIVO / PRINCIPLE OF OPERATIONS

INSERIMENTO PUNZONE PUNCH LOADING



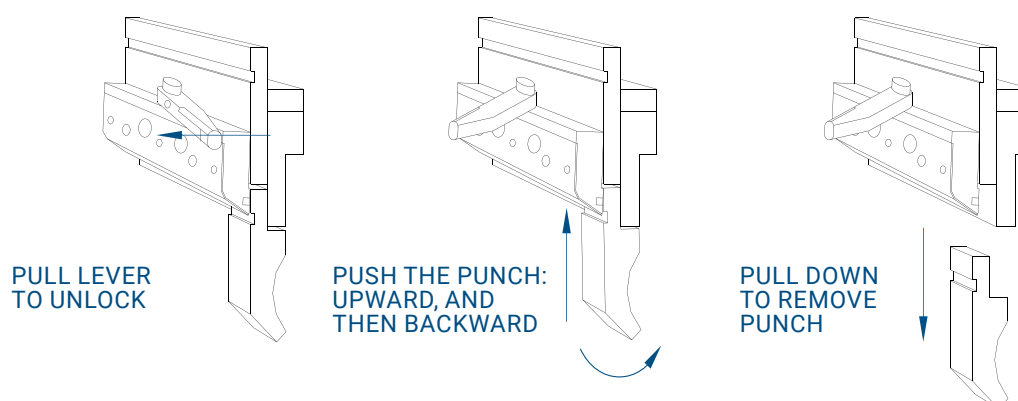
Quando la staffa è in posizione di apertura, permette l'inserimento del punzone in senso verticale verso l'alto fino a quando la cava di sicurezza incontra il meccanismo di sicurezza della staffa, che lo aggancia e lo mantiene sollevato.

Durante il movimento di chiusura della staffa, il meccanismo di sicurezza solleva il punzone fino al piano di riferimento (base dell'intermedio) e lo mantiene in posizione fino alla completa chiusura della staffa che blocca il punzone in posizione.

When the clamp is in open position, it allows the punch insertion in vertical upward direction until when the punch safety groove engages the clamp safety fingers, that hooks it and keeps the punch in position.

During the clamp closing stroke, the safety fingers lifts up the punch until intermediate reference surface and keeps it in the right position until the end of clamp closing movement that locks the punch.

RIMOZIONE PUNZONE PUNCH UNLOADING



Quando la staffa viene aperta, il punzone viene sbloccato e scende fino ad arrestarsi perché rimane agganciato al meccanismo di sicurezza.

A questo punto è sufficiente sollevare manualmente il punzone e spingere la sua punta verso l'interno della macchina per liberarlo dal meccanismo di sicurezza e sfilarlo in senso verticale verso il basso.

When the clamp is opened, it unlocks the punch that can then move downwards until the point where it can remain hooked in against the safety fingers.

Now it is possible to manually lift the punch upwards and push on its bottom side to disengage it from the safety fingers and removing it in vertical downward direction.

LA GAMMA DI PRODOTTI EUROGRIP PER LA CONNESSIONE DEGLI UTENSILI SUPERIORI THE EUROGRIP RANGE FOR THE UPPER TOOL CLAMPING

L'innovativa staffa Eurogrip è alla base della gamma completa di soluzioni sviluppata da Eurostamp, orientata agli equipaggiamenti standard delle piegatrici e alle esigenze specifiche di clienti.

La gamma include Sistemi Manuali e Pneumatici;

ciascun Sistema è disponibile in due Versioni (EASY e TOP);

finalmente, ogni versione comprende due Modelli, in base alle dimensioni degli intermediari originali

The innovative Eurogrip clamp is the basis of the complete range of solutions developed by Eurostamp, in line with the press brakes standard equipment and suited to the customer needs.

The range includes Manual and Pneumatic, each available in two versions (EASY and TOP):

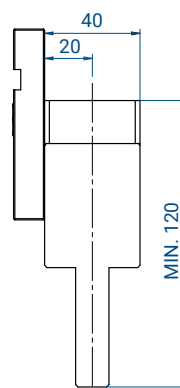
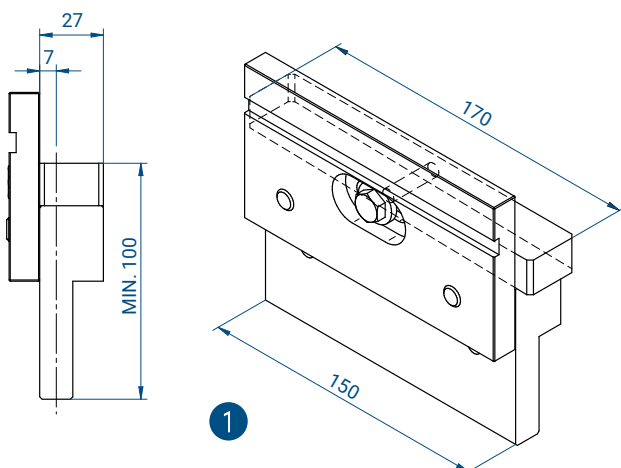
Each version includes two models, according to the dimension of the original intermediates

1 DIMENSIONI CARATTERISTICHE DI INTERMEDIARIO TIPO Z1

Z1 TYPE INTERMEDIATE TYPICAL DIMENSION

2 DIMENSIONI CARATTERISTICHE DI INTERMEDIARIO TIPO Z2

Z2 TYPE INTERMEDIATE TYPICAL DIMENSION



SISTEMI MANUALI / MANUAL CLAMPING SYSTEMS

Versione / Version M-EASY

4389 Dimensioni intermedio / Intermediate dimension **Z1**
(Corpo / Body: 27mm – Asse / Axis: 7mm) [page 213](#)

4409 Dimensioni intermedio / Intermediate dimension **Z2**
(Corpo / Body: 40mm – Asse / Axis: 20mm) [page 214](#)

Versione / Version M-TOP

4390 Dimensioni intermedio / Intermediate dimension **Z1**
(Corpo / Body: 27mm – Asse / Axis: 7mm) [page 215](#)

4400 Dimensioni intermedio / Intermediate dimension **Z2**
(Corpo / Body: 40mm – Asse / Axis: 20mm) [page 216](#)

SISTEMI PNEUMATICI / PNEUMATIC CLAMPING SYSTEMS

Versione / Version P-EASY

4392 Dimensioni intermedio / Intermediate dimension **Z1**
(Corpo / Body: 27mm – Asse / Axis: 7mm) [page 220](#)

4405 Dimensioni intermedio / Intermediate dimension **Z2**
(Corpo / Body: 40mm – Asse / Axis: 20mm) [page 221](#)

Versione / Version P-TOP

4399 Dimensioni intermedio / Intermediate dimension **Z1**
4398 (Corpo / Body: 27mm – Asse / Axis: 7mm) [page 222 - 223](#)

4399 Dimensioni intermedio / Intermediate dimension **Z2**
4410 (Corpo / Body: 40mm – Asse / Axis: 20mm) [page 222 - 224](#)

SISTEMI DI STAFFAGGIO MANUALI - INTRODUZIONE MANUAL CLAMPING SYSTEM - INTRODUCTION

Ogni staffa viene operata da una comoda e robusta leva a scomparsa posizionata sulla parte superiore della staffa per evitare qualsiasi interferenza contro la lamiera durante il processo di piegatura.

Lo stesso principio di funzionamento è stato applicato anche ad un adattatore superiore che consente l'installazione di punzoni in stile Trumpf e Wila su macchine con sistema di connessione in stile Europeo (stile Amada/Promecam)

Each clamp is individually operated by a comfortable and powerful handle, conveniently located on the top in order to avoid any interference with the product being fabricated.

We applied a similar solution also to an upper adapter that allows the installation of Wila/Trumpf style punches on machines equipped with European style (Amada/Promecam style) clamping system



Modello / Model

4389
(M-EASY Z1)

SISTEMA MANUALE EUROGRIP M-EASY:
STAFFA PER RETROFIT SU INTERMEDIARIO Z1

MANUAL SYSTEM M-EASY:
FRONT CLAMP FOR RETROFIT OF Z1 STYLE INTERMEDIATE

150 mm 0,8 kg



DESCRIZIONE

Staffa frontale da installare al posto di quella esistente.

SPECIFICHE TECNICHE

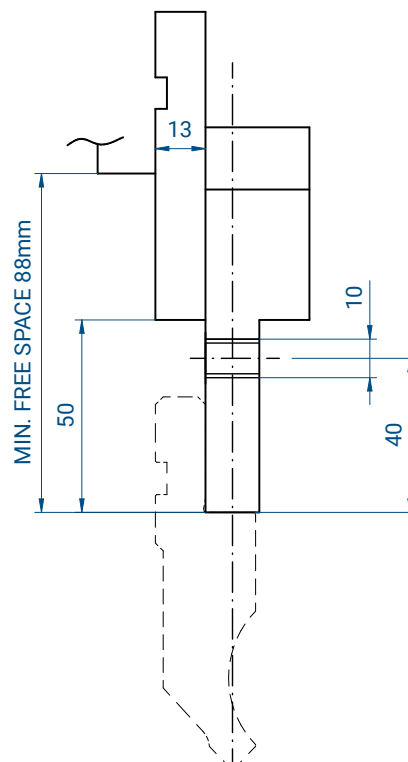
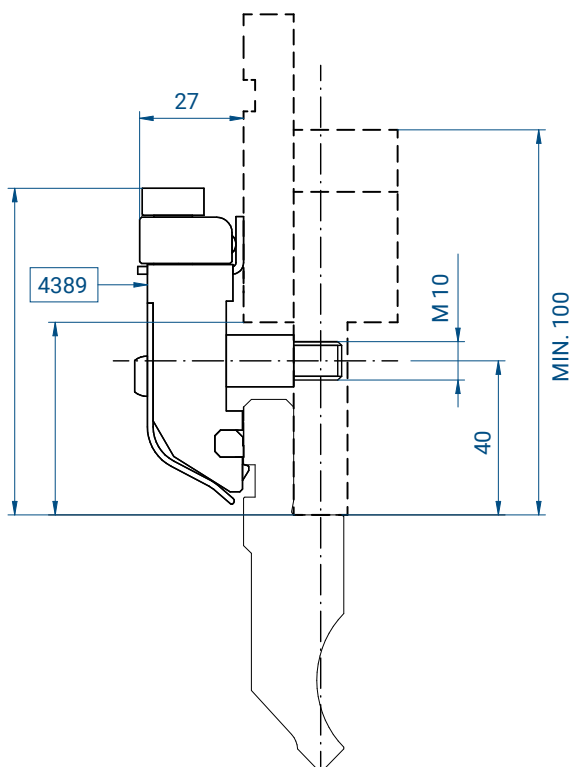
Solo su intermediari conformi Z1 (altezza 100mm; corpo 27mm; asse 7mm): per favore verificare la conformità dell'intermediario a tutte le dimensioni del disegno su questa pagina.

DESCRIPTION

Front clamp replacement, installed over the existing intermediate in place of the "standard one".

TECHNICAL SPECIFICATIONS

Only on Z1 style intermediates (height 100mm; body width 27mm; bending axis located at 7mm). All dimensions of the intermediates need to be verified and confirmed as per the drawings on this page.



Modello / Model

4409
(M-EASY Z2)

SISTEMA MANUALE EUROGRIP M-EASY: ASSIEME DI STAFFA + PIASTRA ANTERIORE PER RETROFIT SU INTERMEDIARIO Z2

MANUAL SYSTEM M-EASY: ASSEMBLY OF CLAMP + FRONT PLATE FOR RETROFIT OF Z2 STYLE INTERMEDIATE

150 mm 1,8 kg



DESCRIZIONE

Assieme costituito dalla staffa 4389 e da una piastra anteriore, che deve essere installata sul corpo principale dell'intermediario esistente.

SPECIFICHE TECNICHE

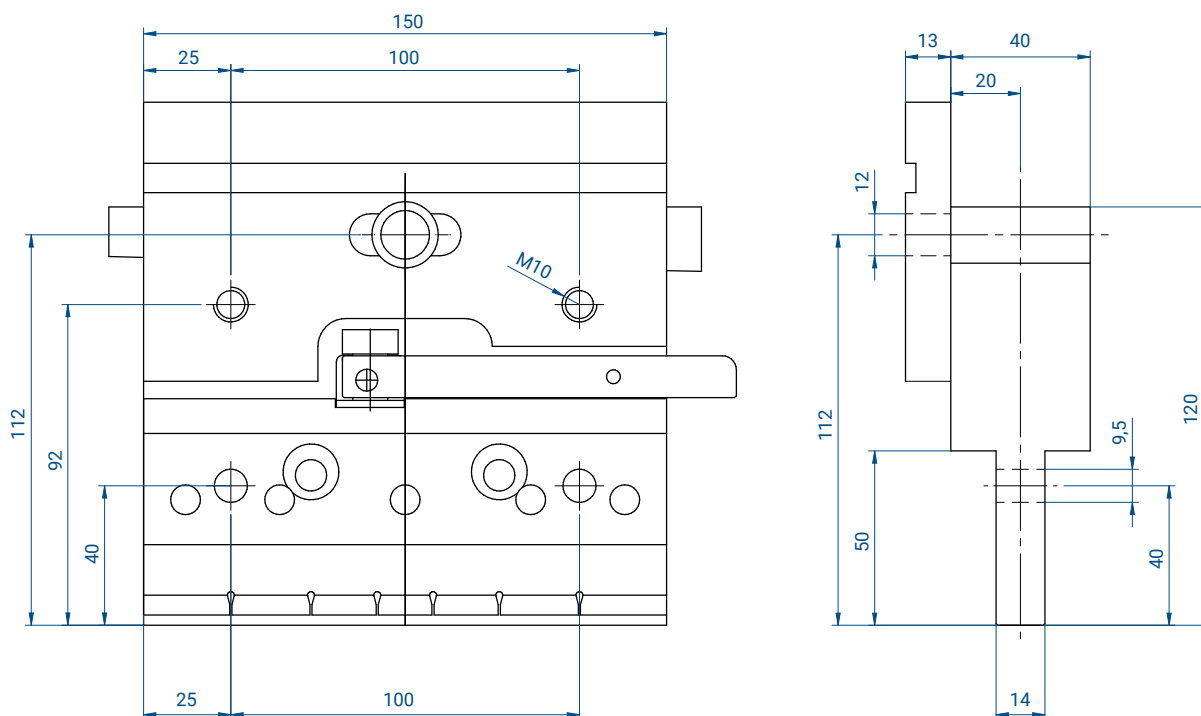
Solo su intermediari conformi Z2 (altezza minima 120mm; corpo 40mm; asse 20mm). Per favore verificare la conformità dell'intermediario a tutte le dimensioni del disegno su questa pagina.

DESCRIPTION

Assembly made up with clamp model 4389 and by a replacement front plate that must be installed onto the original intermediate.

TECHNICAL SPECIFICATIONS

Only on Z2 style intermediates (minimum height 120mm; body width 40mm; bending axis located at 20mm). All dimensions of the intermediates need to be verified and confirmed as per the drawings on this page.



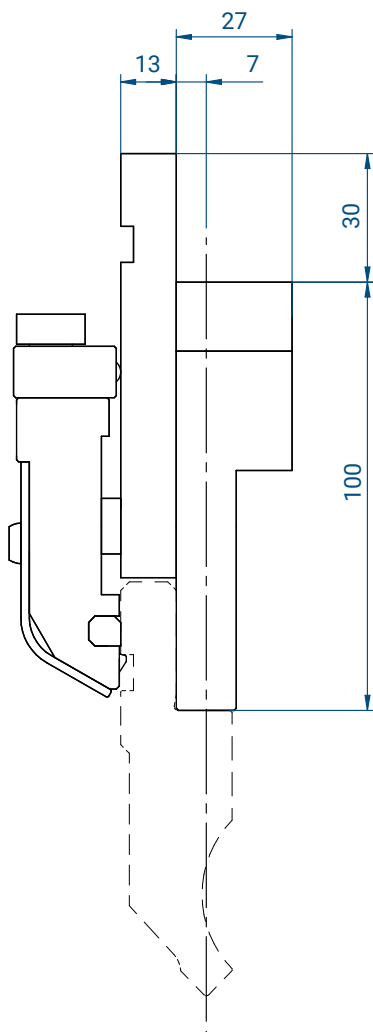
Modello / Model

4390
(M-TOP Z1)

SISTEMA MANUALE EUROGRIP M-TOP:
STAFFA ASSEMBLATA SU INTERMEDIO SPECIFICO Z1

EUROGRIP MANUAL SYSTEM M-TOP:
FRONT CLAMP ASSEMBLED ON SPECIFIC Z1 STYLE INTERMEDIATE

150 mm 4,8 kg



DESCRIZIONE

Assieme completo costituito da una speciale staffa manuale (dimensioni maggiorate) installata su un intermedio speciale (Z1) di alta qualità, disegnato per alloggiare la staffa maggiorata.

Soluzione privilegiata nei casi in cui sia necessario sostituire gli intermedi esistenti perché danneggiati e quando le dimensioni dell'intermedio esistente non consentano l'utilizzo di M-EASY.

Il codice 4390 è già predisposto per l'installazione delle staffe manuali posteriori opzionali codice 4404 (fori passanti).

SPECIFICHE TECNICHE

Solo su macchine predisposte ad installare intermedi di tipo Z1 (altezza 100mm; corpo 27mm; asse 7mm): per favore verificare la conformità dell'intermediario esistente a tutte le dimensioni del disegno su questa pagina.

DESCRIPTION

Full intermediate assembly, made up of a special manual clamp (bigger dimension) already installed over a special, superior quality (Z1) intermediate body, designed for the movement of the operating fingers.

This solution is the best choice when a new set of intermediates is replacing the old ones (damaged or worn out) or when the original intermediate dimension does not allow to utilize the M-EASY.

The code 4390 is already set for installing the optional rear clamp manually operated code 4404 (pass-through holes).

TECHNICAL SPECIFICATIONS

Only on machines equipped for Z1 style intermediates (height 100mm; body width 27mm; bending axis located at 7mm). All dimensions of the intermediates need to be verified and confirmed as per the drawings on this page.

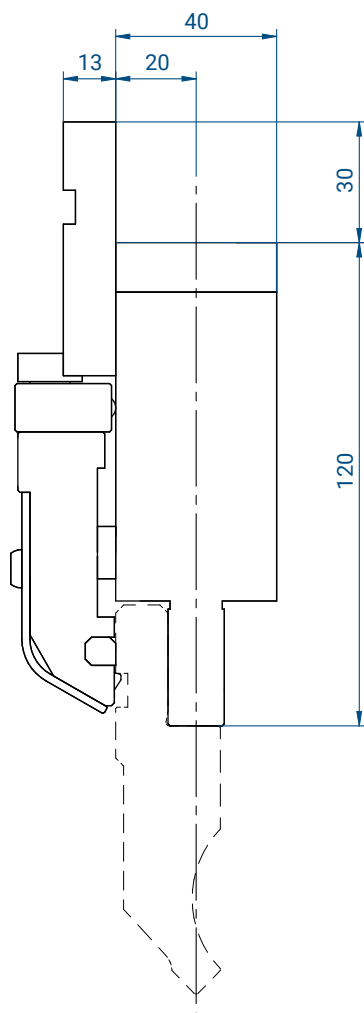
Modello / Model

4400
(M-TOP Z2)

SISTEMA MANUALE EUROGRIP M-TOP: STAFFA ASSEMBLATA SU INTERMEDIO SPECIFICO Z2

EUROGRIP MANUAL SYSTEM M-TOP: FRONT CLAMP ASSEMBLED ON SPECIFIC Z2 STYLE INTERMEDIATE

150 mm 5,5 kg



DESCRIZIONE

Assieme completo costituito da una speciale staffa manuale (dimensioni maggiorate) installata su un intermedio speciale (Z2) di alta qualità disegnato per alloggiare la staffa maggiorata.

Soluzione privilegiata nei casi in cui sia necessario sostituire gli intermedi esistenti perché e quando danneggiati le dimensioni dell'intermedio esistente non consentano l'utilizzo di M-EASY.

Il codice 4400 è già predisposto per l'installazione delle staffe manuali posteriori opzionali codice 4404 (fori passanti).

SPECIFICHE TECNICHE

Solo su macchine predisposte ad installare intermedi di tipo Z2 (altezza 120mm; corpo 40mm; asse 20mm): per favore verificare la conformità dell'intermediario esistente a tutte le dimensioni del disegno su questa pagina. Peso=5,5Kg

DESCRIPTION

Full intermediate assembly, made up of a special manual clamp (bigger dimension) already installed over a special, superior quality (Z2) intermediate body, conveniently machined for the movement of the operating fingers.

This solution is the best choice when a new set of intermediates is replacing the old ones (damaged or worn out) or when the original intermediate dimension does not allow to utilize the M-EASY.

The code 4400 is already set for installing the optional rear clamp manually operated code 4404 (pass-through holes).

TECHNICAL SPECIFICATIONS

Only on machines equipped for Z2 style intermediates (height 120mm; body width 40mm; bending axis located at 7mm). All dimensions of the intermediates need to be verified and confirmed as per the drawings on this page. Weight=5,5Kg

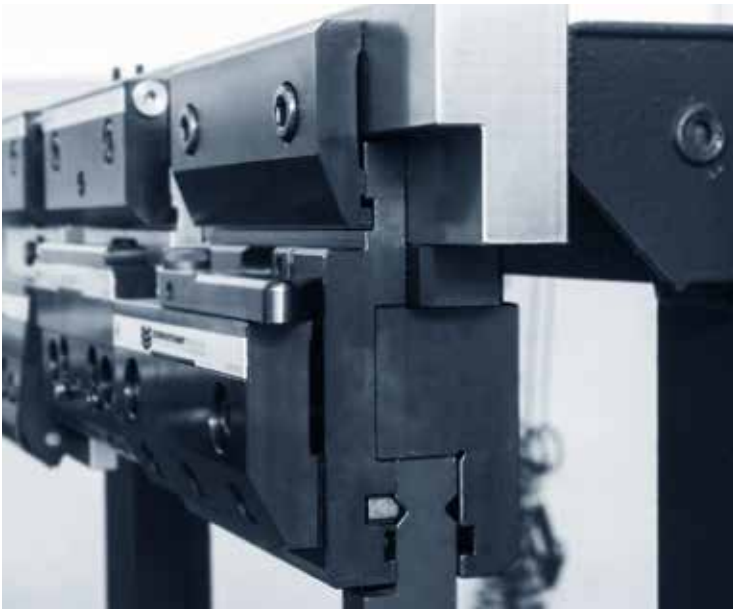
Modello / Model

4393
(M-WDP Z1)

SISTEMA MANUALE EUROGRIP M-WDP: ADATTATORE SUPERIORE DA STILE AMADA (TIPO Z1) A STILE WILA/TRUMPF

EUROGRIP MANUAL SYSTEM M-WDP: UPPER ADAPTER FROM AMADA STYLE (Z1 TYPE) TO WILA/TRUMPF STYLE

150 mm 6,7 kg



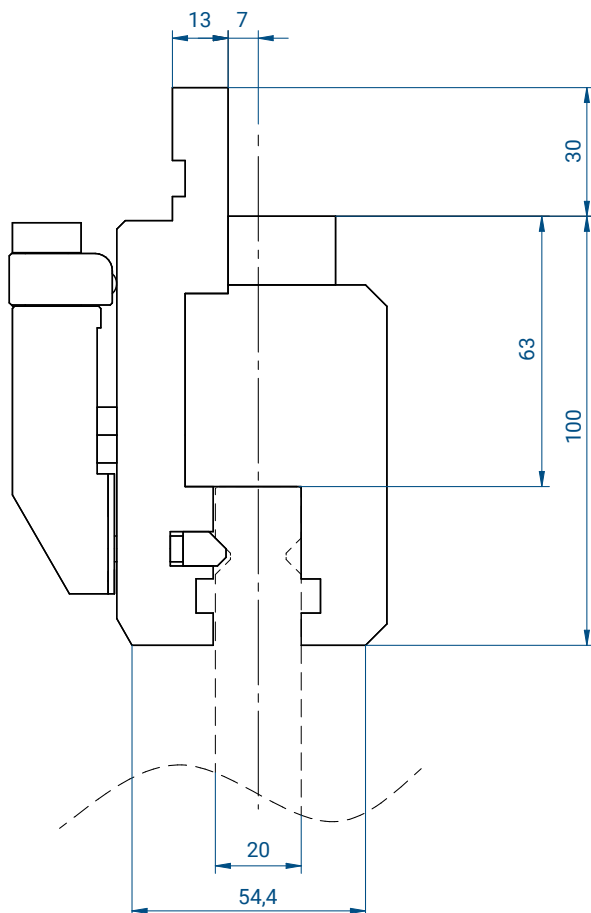
DESCRIZIONE

Adattatore speciale da stile standard Amada/Promecam (stile Europeo) a stile standard Trumpf/Wila.

La staffa anteriore - operata da una leva a scomparsa - permette l'inserimento, la rimozione, l'allineamento e il bloccaggio di utensili conformi allo standard Trumpf/Wila su macchine con tavola superiore in stile Europeo (stile Amada Promecam).

SPECIFICHE TECNICHE

Solo su macchine predisposte ad installare intermedi di tipo Z1 (altezza 100mm; corpo 27mm; asse 7mm): per favore verificare la conformità dell'intermediario esistente a tutte le dimensioni del disegno su questa pagina. Peso=6,7Kg.



DESCRIPTION

Upper adapter from European style (Amada/Promecam style) to Trumpf/Wila style.

The front clamp, operated by a foldaway handle allows the installation; the removal; the alignment and the locking of Trumpf/Wila style top tooling on a press brake equipped with European style clamping system.

TECHNICAL SPECIFICATIONS

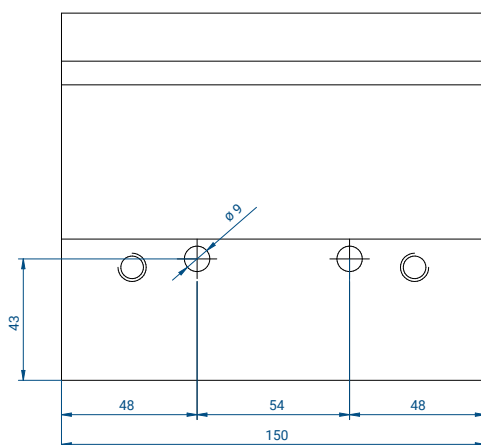
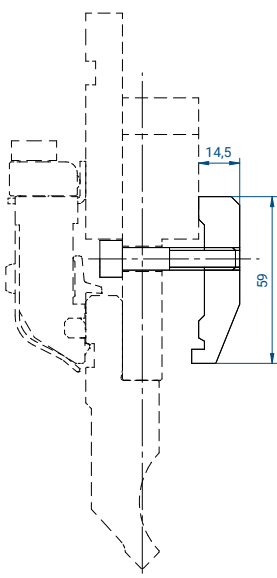
Only on machines equipped for Z1 style intermediates (height 100mm; body width 27mm; bending axis located at 7mm). All dimensions of the intermediates need to be verified and confirmed as per the drawings on this page.

SISTEMI DI STAFFAGGIO MANUALI – DISPOSITIVI OPZIONALI MANUAL CLAMPING SYSTEM – OPTIONAL ADD-ONS

Modello / Model

4408

150 mm 0,7 kg



STAFFA POSTERIORE OPZIONALE, ESCLUSIVA PER MODELLI M-EASY

Per installare punzoni con orientamento "rovesciato" su intermedi equipaggiati con sistemi M-EASY (4389 e 4409).

La staffa posteriore viene operata da fronte macchina agendo su due viti a brugola.

Per installare la staffa opzionale è necessario eseguire due fori passanti diametro 9mm sul corpo dell'intermedio.

OPTIONAL REAR CLAMP EXCLUSIVELY FOR M-EASY MODELS

For inserting the punches in "reverse" direction on intermediates equipped with M-EASY clamps (4389 e 4409).

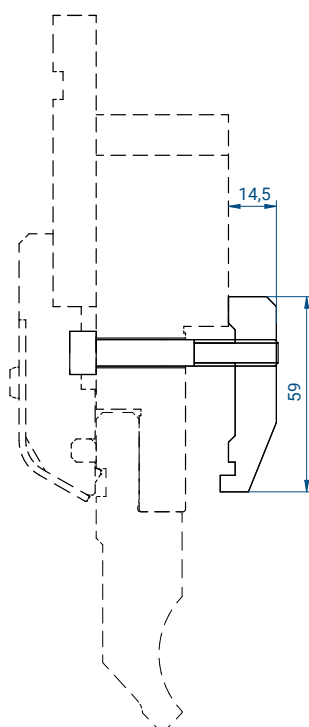
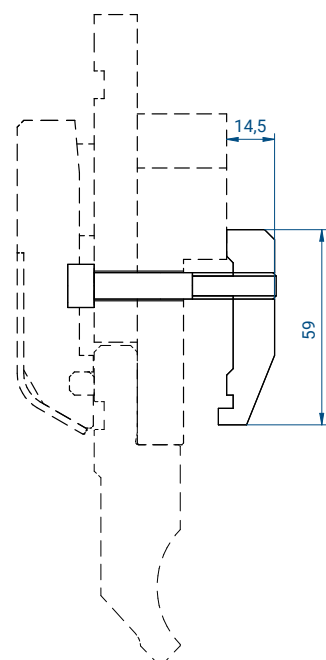
The rear clamp is operated by standing on the machine front and through two allen-key bolts.

For mounting the rear clamp, two additional holes Ø9mm need to be drilled on the intermediate body.

Modello / Model

4404

150 mm 0,8 kg



STAFFA POSTERIORE OPZIONALE, PER MODELLI M-TOP; P-EASY; P-TOP

Per installare punzoni con orientamento "rovesciato" su intermedi equipaggiati con sistemi M-TOP; P-EASY; P-TOP

La staffa posteriore viene operata da fronte macchina agendo su due viti a brugola.

Tutti i modelli M-TOP; P-EASY; P-TOP sono forniti completi di fori passanti, per cui non è necessaria alcuna lavorazione aggiuntiva per installare la staffa.

OPTIONAL REAR CLAMP, FOR MODELS M-TOP; P-EASY; P-TOP.

For inserting the punches in "reverse" direction on intermediates equipped with all the products M-TOP; P-EASY; P-TOP.

The rear clamp is operated by standing on the machine front and through two allen bolts.

All the models M-TOP; P-EASY; P-TOP are supplied with the pass-through holes already drilled on - ne need for any additional operation.

SISTEMI DI STAFFAGGIO PNEUMATICI - INTRODUZIONE PNEUMATIC CLAMPING SYSTEM - INTRODUCTION

Tutte le staffe presenti sulla tavola superiore sono operate tramite aria compressa, controllata da una centralina e trasferita tramite tubi che collegano in serie gli intermedi.

La gamma di sistemi pneumatici include un sistema analogo per gli utensili inferiori.

All of the clamps located on the machine upper table are operated by compressed air, managed by a pneumatic control unit and transferred through pipes that connect serially the intermediates.

The pneumatic system product range includes also a solution for the pneumatic clamping of lower tooling.



1 STAFFA SU TAVOLA
SUPERIORE (fissa)
TOP BEAM CLAMP (fixed)

2 INTERMEDIARIO (traslabile a
destra/sinistra e rimovibile)
INTERMEDIATE (shiftable right
or left and removable)

3 STAFFA SU INTERMEDIARIO
INTERMEDIATE CLAMP

Il Sistema pneumatico superiore Eurogrip sostituisce alcuni dei componenti standard forniti assieme alla macchina.

In base al modello scelto verranno sostituiti solo gli intermediari (P-EASY) oppure anche la staffa sulla tavola superiore (P-TOP).

L'installazione di un sistema pneumatico richiede una centralina pneumatica e un kit (comprensivo di tubi, connettori, cavi e pulsanti di comando).

The Eurogrip upper pneumatic clamping systems replaces some of the standard components supplied with the press brake.

Depending by the chosen model (P-EASY or P-TOP), only the assembly of intermediate body and its clamp will be replaced, or it will be supplied also a new top beam clamp.

The installation of any pneumatic clamping system requires a pneumatic control unit and a pneumatic connection kit (pipes, connectors, cables, switch).

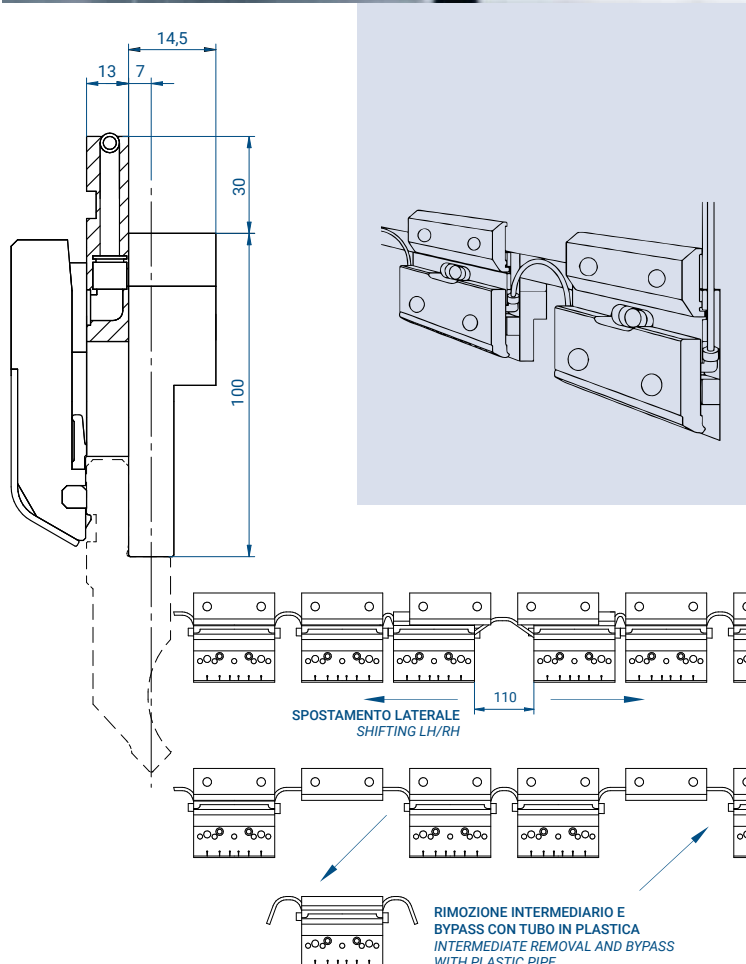
Modello / Model

4392
(P-EASY Z1)

SISTEMA PNEUMATICO EUROGRIP P-EASY:
STAFFA PNEUMATICA ASSEMBLATA SU INTERMEDIO SPECIFICO Z1

EUROGRIP PNEUMATIC SYSTEM P-EASY:
PNEUMATIC CLAMP ASSEMBLED TO SPECIFIC Z1 STYLE INTERMEDIATE

150 mm 5,2 kg



DESCRIZIONE

Assieme completo costituito da una speciale staffa, ad azionamento pneumatico, installata su un intermedio speciale (Z1) di alta qualità, disegnato per alloggiare la staffa maggiorata (vedere 2 e 3 a pag. 219).

Ciascun nuovo intermedio verrà installato al posto di quello esistente utilizzando le staffe già presenti sulla tavola superiore e verrà collegato in serie agli altri tramite tubo in plastica che ne permette lo spostamento orizzontale e la rimozione (tramite bypass). Soluzione raccomandata quando è necessario spostare/rimuovere gli intermediari raramente.

Il codice 4392 è già predisposto per l'installazione delle staffe manuali posteriori opzionali, codice 4404 (fori passanti).

SPECIFICHE TECNICHE

Solo su macchine predisposte ad installare intermedi di tipo Z1 (altezza 100mm; corpo 27mm; asse 7mm): per favore verificare la conformità dell'intermediario esistente a tutte le dimensioni del disegno su questa pagina. Peso= 5,2 Kg

DESCRIPTION

Full intermediate assembly made up of a special pneumatic clamp already installed over a special, superior quality (Z1), intermediate body conveniently machined for the movement of the operating fingers (see 2 and 3 on page 219).

Each new intermediate will be installed in place of the already existing one by utilizing the top beam clamp already mounted on the top beam and it will be connected in series with the others through a plastic pipe that will allow its horizontal shifting and removal (bypass). This is the recommended solution when the intermediate shifting (or removal) operation is required not more than few times a day.

The intermediate assembly code 4392 is already set for installing the optional rear clamp manually operated, code 4404 (pass-through holes).

TECHNICAL SPECIFICATIONS

Only on machines equipped for Z1 style intermediates (height 100mm; body width 27mm; bending axis located at 7mm). Please, verify the conformity of the existing intermediate to all of the dimension shown on the drawing. Weight= 5,2Kg

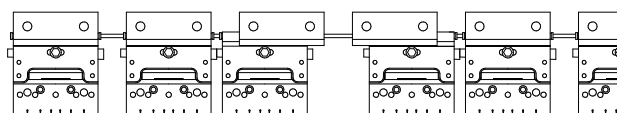
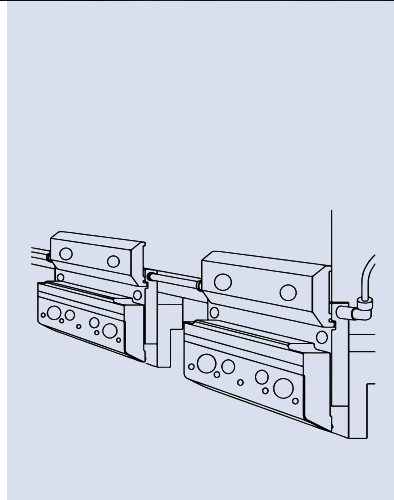
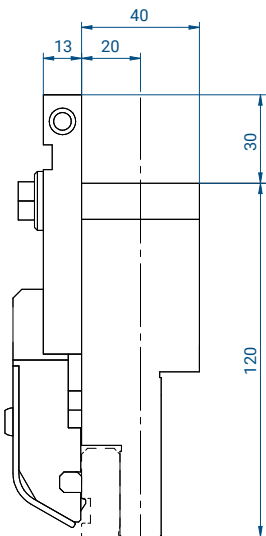
Modello / Model

4405
(P-EASY Z2)

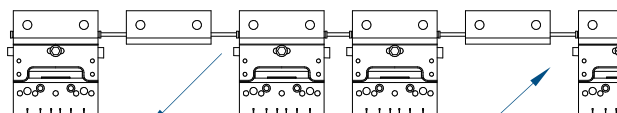
SISTEMA PNEUMATICO EUROGRIP P-EASY:
STAFFA PNEUMATICA ASSEMBLATA SU INTERMEDIO SPECIFICO Z2

EUROGRIP PNEUMATIC SYSTEM P-EASY:
PNEUMATIC CLAMP ASSEMBLED TO SPECIFIC Z2 STYLE INTERMEDIATE

150 mm 6,0 kg



SPOSTAMENTO LATERALE
SHIFTING LH/RH



RIMOZIONE INTERMEDIARIO E BYPASS
CON SPECIFICO TUBO IN ACCIAIO
INTERMEDIATE REMOVAL AND
BYPASS WITH SPECIFIC STEEL PIPE

DESCRIZIONE

Assieme completo costituito da una speciale staffa, ad azionamento pneumatico, installata su un intermedio speciale (Z2) di alta qualità, disegnato per alloggiare la staffa maggiorata (vedere 2 e 3 a pag. 219).

Ciascun nuovo intermedio verrà installato al posto di quello esistente utilizzando le staffe già presenti sulla tavola superiore e verrà collegato in serie agli altri tramite tubo in acciaio che ne permette lo spostamento orizzontale e la rimozione (tramite bypass). Soluzione raccomandata quando è necessario spostare/rimuovere gli intermediari raramente.

Il codice 4405 è già predisposto per l'installazione delle staffe manuali posteriori opzionali, 4404 (fori passanti).

SPECIFICHE TECNICHE

Solo su macchine predisposte ad installare intermedi di tipo Z2 (altezza 120mm; corpo 40mm; asse 20mm): per favore verificare la conformità dell'intermediario esistente a tutte le dimensioni del disegno su questa pagina. Peso= 5,9 Kg

DESCRIPTION

Full intermediate assembly made up of a special pneumatic clamp already installed over a special, superior quality (Z1), intermediate body conveniently machined for the movement of the operating fingers (see 2 and 3 on page 219).

Each new intermediate will be installed in place of the already existing one by utilizing the top beam clamp already mounted on the top beam and it will be connected in series with the others through a steel pipe that will allow its horizontal shifting and removal (bypass). This is the recommended solution when the intermediate shifting (or removal) operation is not required more than few times a day.

The intermediate assembly code 4405 is already set for installing the optional rear clamp manually operated, code 4404 (pass-through holes).

TECHNICAL SPECIFICATIONS

Only on machines equipped for Z2 style intermediates (height 120mm; body width 40mm; bending axis located at 7mm). Please, verify the conformity of the existing intermediate to all of the dimension shown on the drawing. Weight= 5,9Kg

Modello / Model

4399

(P-TOP common)

150 mm 1,0 kg

SISTEMA PNEUMATICO EUROGRIP P-TOP: STAFFA PNEUMATICA PER TAVOLA SUPERIORE – PREREQUISITO PER INSTALLAZIONE DI MODELLI P-TOP

EUROGRIP PNEUMATIC SYSTEM P-TOP: PNEUMATIC CLAMP TO BE INSTALLED ON THE MACHINE UPPER TABLE – MANDATORY FOR THE INSTALLATION OF ANY P-TOP MODEL



DESCRIZIONE

Staffa per tavola superiore da installare al posto di quella montata in origine (vedere 1 a pag. 219).

Ogni staffa è collegata in serie tramite tubo in acciaio e trasferisce l'aria in pressione all'intermediario connesso attraverso una valvola interna che ne consente lo spostamento e la rimozione senza necessità di operazioni aggiuntive (bypass).

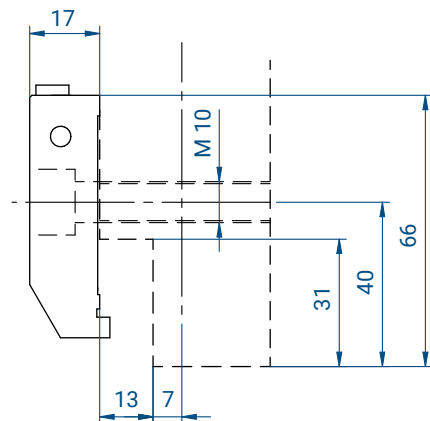
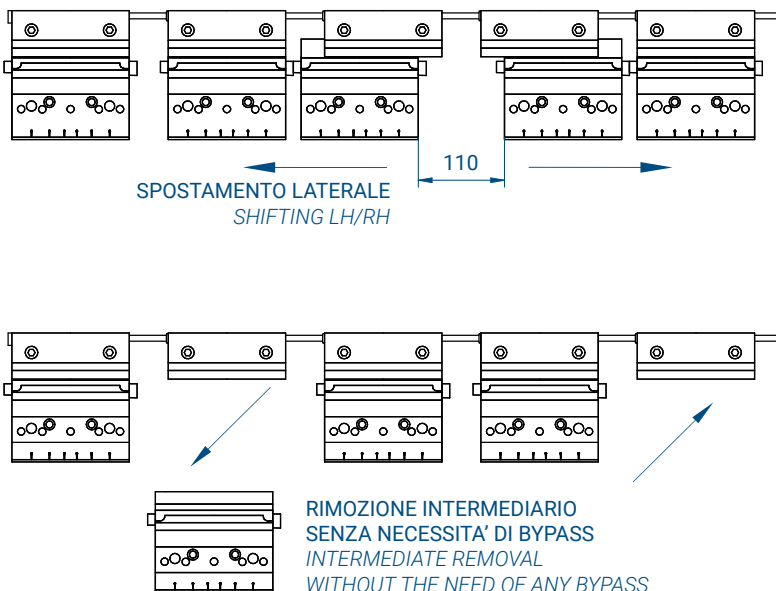
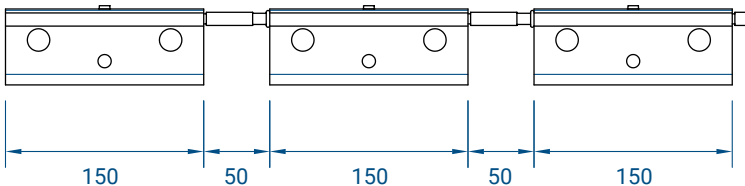
Soluzione raccomandata quando è necessario spostare (o rimuovere) gli intermediari con frequenza elevata.

DESCRIPTION

It must replace the actual standard clamps installed on the machine top beam (see 1 on page 219).

Each new top beam clamp is connected in series through a steel pipe and transfers the air flow to the connected intermediate by an internal valve that allows to shift the intermediate left or right and even to remove it without the need of any bypass.

This is the recommended solution when the intermediate shifting (or removal) operation must be performed many times a day.



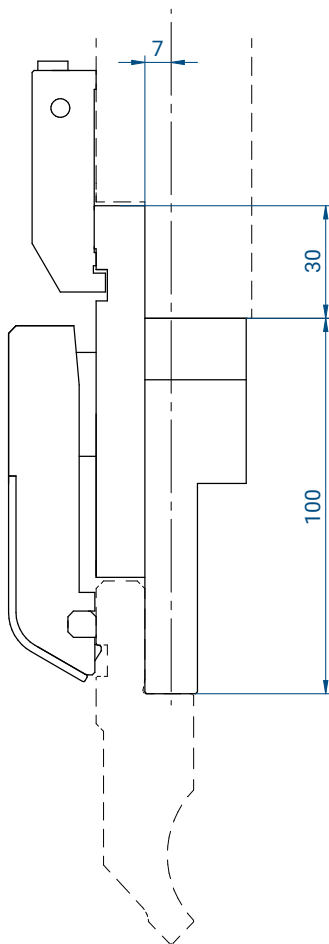
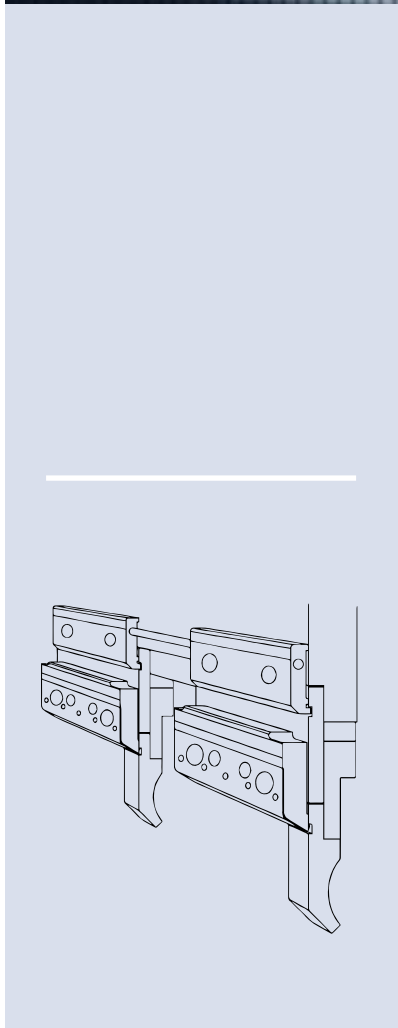
Modello / Model

4398 (P-TOP Z1)

150 mm 5,0 kg

SISTEMA PNEUMATICO EUROGRIP P-TOP: STAFFA PNEUMATICA ASSEMBLATA SU INTERMEDIO SPECIFICO Z1 - RICHIEDE INSTALLAZIONE DI STAFFA PER TAVOLA SUPERIORE 4399

EUROGRIP PNEUMATIC SYSTEM P-TOP: PNEUMATIC CLAMP ASSEMBLED TO SPECIFIC Z1 STYLE INTERMEDIATE - IT IS MANDATORY TO INSTALL THE UPPER BEAM CLAMP 4399



DESCRIZIONE

Assieme completo costituito da una speciale staffa, ad azionamento pneumatico, installata su un intermedio speciale (Z1) di alta qualità, disegnato per alloggiare la staffa maggiorata (vedere 2 e 3 a pag. 219).

Ciascun nuovo intermedio verrà installato utilizzando le staffe 4399 che ne gestiranno l'alimentazione di aria compressa.

L'assieme intermediario 4391 è già predisposto per l'installazione delle staffe manuali posteriori opzionali, codice 4404 (fori passanti).

SPECIFICHE TECNICHE

Solo su macchine predisposte ad installare intermedi di tipo Z1 (altezza 100mm; corpo 27mm; asse 7mm): per favore verificare la conformità dell'intermediario esistente a tutte le dimensioni del disegno su questa pagina.

Peso= 6,2 Kg

Il codice 4398 identifica l'assieme intermedio + staffa superiore (4391+ 4399)

DESCRIPTION

Full intermediate assembly made up of a special pneumatic clamp already installed over a special, superior quality (Z1), intermediate body conveniently machined for the movement of the operating fingers (see 2 and 3 on page 219).

Each new intermediate will be installed in place of the already existing one by utilizing the 4399 top beam clamp that will manage the pneumatic supply.

The intermediate assembly code 4391 is already set for installing the optional rear clamp manually operated, code 4404 (pass-through holes)

TECHNICAL SPECIFICATIONS

Only on machines equipped for Z1 style intermediates (height 100mm; body width 27mm; bending axis located at 7mm). Please, verify the conformity of the existing intermediate to all of the dimension shown on the drawing.
Weight= 6,2Kg

The code 4398 identifies the assembly of intermediate + top beam clamp (4391+4399).

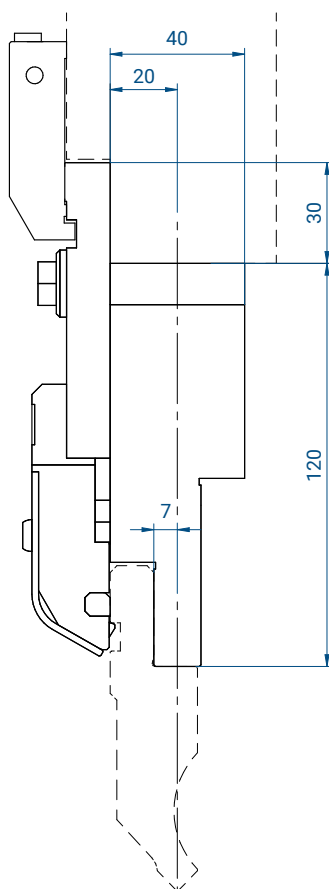
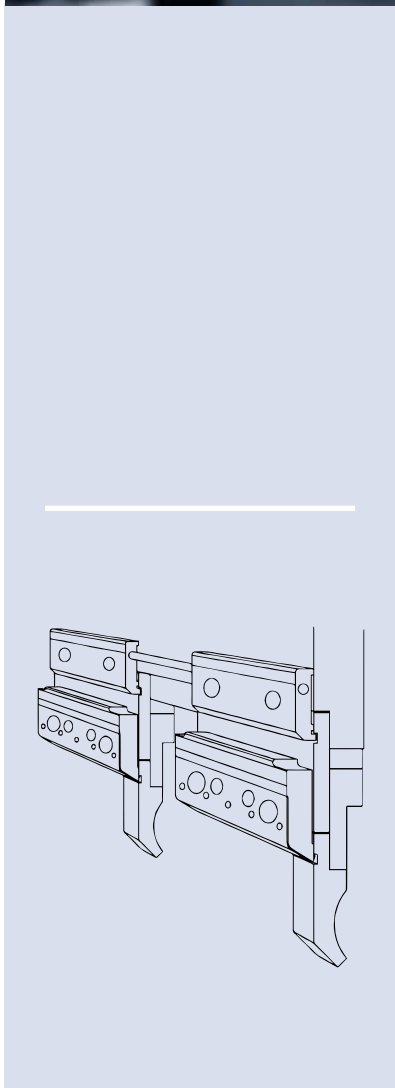
Modello / Model

4410
(P-TOP Z2)

150 mm 5,8 kg

SISTEMA PNEUMATICO EUROGRIP P-TOP: STAFFA PNEUMATICA ASSEMBLATA SU INTERMEDIO SPECIFICO Z2 RICHIEDE INSTALLAZIONE DI STAFFA PER TAVOLA SUPERIORE 4399

EUROGRIP PNEUMATIC SYSTEM P-TOP: PNEUMATIC CLAMP ASSEMBLED TO SPECIFIC Z2 STYLE INTERMEDIATE IT IS MANDATORY TO INSTALL THE UPPER BEAM CLAMP 4399



DESCRIZIONE

Assieme completo costituito da una speciale staffa, ad azionamento pneumatico, installata su un intermedio speciale (Z2) di alta qualità, disegnato per alloggiare la staffa maggiorata (vedere 2 e 3 a pag. 219).

Ciascun nuovo intermedio verrà installato utilizzando le staffe 4399 che ne gestiranno l'alimentazione di aria compressa.

L'assieme intermedio 4410 è già predisposto per l'installazione delle staffe manuali posteriori opzionali, codice 4404 (fori passanti).

SPECIFICHE TECNICHE

Solo su macchine predisposte ad installare intermedi di tipo Z2 (altezza 120mm; corpo 40mm; asse 20mm): per favore verificare la conformità dell'intermedio esistente a tutte le dimensioni del disegno su questa pagina. Peso= 6,2 Kg

Il codice 4412 identifica l'assieme intermedio + staffa superiore (4410+ 4399).

DESCRIPTION

Full intermediate assembly made up of a special pneumatic clamp already installed over a special, superior quality (Z2), intermediate body conveniently machined for the movement of the operating fingers (see 2 and 3 on page 219).

Each new intermediate will be installed in place of the already existing one by utilizing the 4399 top beam clamp that will manage the pneumatic supply.

The intermediate assembly code 4410 is already set for installing the optional rear clamp manually operated, code 4404 (pass-through holes).

TECHNICAL SPECIFICATIONS

Only on machines equipped for Z2 style intermediates (height 120mm; body width 40mm; bending axis located at 20mm). Please, verify the conformity of the existing intermediate to all of the dimension shown on the drawing. Weight= 6,2Kg

The code 4412 identifies the assembly of intermediate + top beam clamp (4410+4399).

Modello / Model

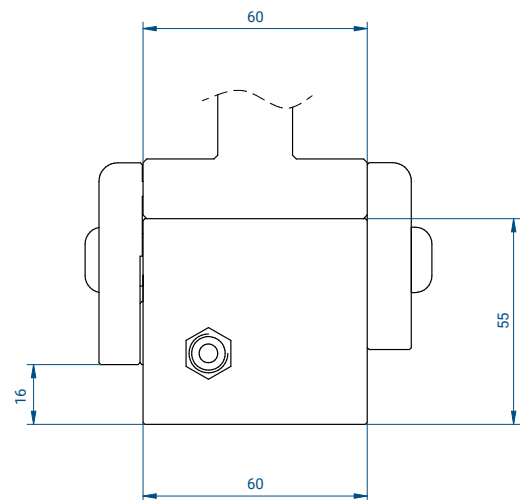
4394 (P-HOLD)

835 mm	27,8 kg
624 mm	18,6 kg
415 mm	13,8 kg



SISTEMA PNEUMATICO INFERIORE EUROGRIP P-DHOLD: SUPPORTO AD AZIONAMENTO PNEUMATICO PER MATRICI STILE AMADA

EUROGRIP LOWER PNEUMATIC SYSTEM P-DHOLD: PNEUMATIC DIE HOLDER FOR AMADA STYLE DIES

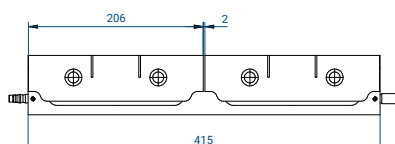
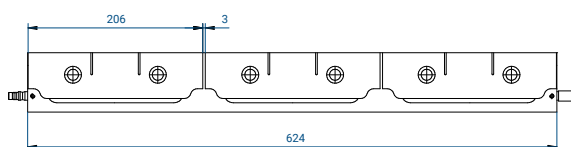
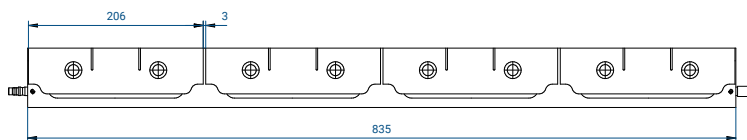
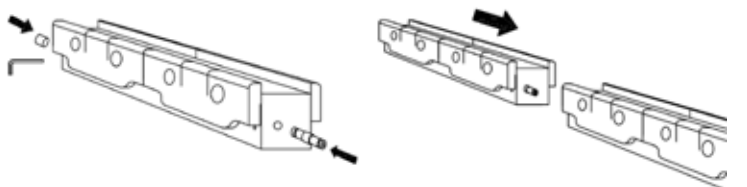


DESCRIZIONE

Supporto matrici modulare in stile Europeo (Stile Amada/Promecam). Sul lato frontale monta una serie di staffe ad azionamento pneumatico. Ogni modulo si connette al successivo tramite un connettore a scomparsa. Sistema raccomandato per clienti che devono sostituire frequentemente gli utensili inferiori perché consente il blocco/sblocco simultaneo di tutti gli utensili inferiori con la sola pressione di un pulsante.

SPECIFICHE TECNICHE

Installabile su macchine con tavola inferiore piana conforme allo standard stile Europeo (stile Amada /Promecam). Disponibile in moduli con lunghezza 835mm; 415mm; 625mm.



DESCRIPTION

Modular lower die support based on the standard European style (Amada/Promecam style) that carry on its front side a series of pneumatic clamps. Each module connects to the next one through a foldaway connector. This solution is recommended to those customers used to replace frequently the lower tooling because it allows to clamp/unclamp the whole lower table by simply operate a button.

TECHNICAL SPECIFICATIONS

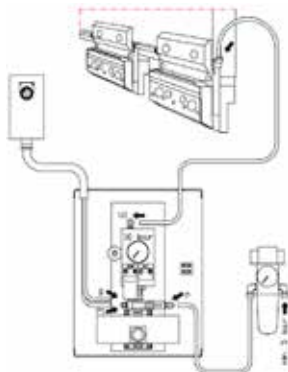
Can be installed on any machine equipped with a lower flat table that conforms to the European style (Amada/Promecam style). Available in modules long 835mm; 415mm; 625mm.

Per gestire i sistemi pneumatici Eurogrip è necessario installare una unità di controllo pneumatica, che contiene la componentistica elettrica e pneumatica per pilotare il sistema, oltre ad un kit, specifico per il modello ordinato, che comprende i tubi, i cavi ed i connettori da utilizzare per installare correttamente il sistema.

In order to manage correctly any Eurogrip pneumatic system it is required to install a pneumatic control unit, that contains the electric and pneumatic system components necessary for driving the system, and to utilize a hardware kit, specific for the ordered system, that includes the supply of the pipes, cables and connectors required for the correct installation of the system

Modello / Model

4395 (single line)



SISTEMA PNEUMATICO EUROGRIP:
CENTRALINA PNEUMATICA LINEA
SINGOLA, COMPRENSIVA DI
ACCESSORI

*EUROGRIP PNEUMATIC SYSTEM:
PNEUMATIC CONTROL UNIT SINGLE
LINE, ACCESSORIES INCLUDED*

DESCRIZIONE

Si connette alla sorgente di aria compressa disponibile in officina (pressione minima ingresso 6 Bar). Gestisce la pressione in uscita verso il sistema di connessione tramite una sola uscita per pilotare solamente un sistema di connessione (superiore o inferiore). Contiene i circuiti di controllo e di sicurezza.

DESCRIPTION

It connects to the job shop pressurized air supply (minimum input pressure 6 Bar).

It manages the output pressure to the clamping system through only one output connector (only upper or only lower).

It contains all of the electrical connections and the safety system.

DESCRIZIONE

Si connette alla sorgente di aria compressa disponibile in officina (pressione minima ingresso 6 Bar). Gestisce la pressione in uscita verso il sistema di connessione tramite due sole uscite per pilotare entrambi i sistemi di connessione (superiore e inferiore). Contiene i circuiti di controllo e di sicurezza.

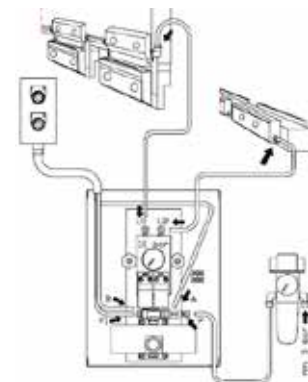
DESCRIPTION

It connects to the job shop pressurized air supply (minimum input pressure 6 Bar). It manages the output pressure to the clamping system through two output connector (upper and lower).

It contains all of the electrical connections and the safety system

Modello / Model

4396 (two lines)



SISTEMA PNEUMATICO EUROGRIP: CENTRALINA PNEUMATICA LINEA DOPPIA, COMPRENSIVA DI ACCESSORI

*EUROGRIP PNEUMATIC SYSTEM:
PNEUMATIC CONTROL UNIT
DOUBLE LINE, ACCESSORIES
INCLUDED*

Modello / Model

4397 (KIT P-EASY)

SISTEMA PNEUMATICO EUROGRIP:
KIT CONNESSIONI P-EASY

*EUROGRIP PNEUMATIC SYSTEM:
P-EASY CONNECTION KIT*

DESCRIZIONE

Assieme dei componenti necessari per installare e collegare il sistema P-EASY.

DESCRIPTION

Assembly of hardware required for installing and connecting the P-EASY system

Modello / Model

4381 (KIT P-TOP)

SISTEMA PNEUMATICO EUROGRIP:
KIT CONNESSIONI P-TOP

*EUROGRIP PNEUMATIC SYSTEM:
P-TOP CONNECTION KIT*

DESCRIZIONE

Assieme dei componenti necessari per installare e collegare il sistema P-TOP.

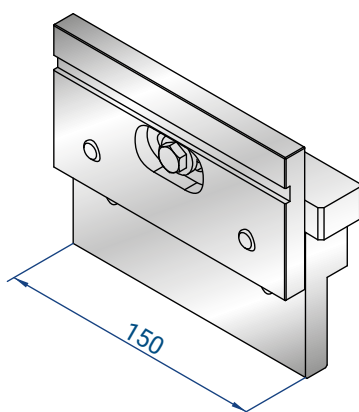
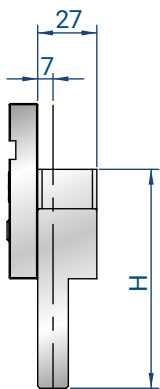
DESCRIPTION

Hardware kit required for installing and connecting the P-TOP system.

INTERMEDIARI REGISTRABILI ADJUSTABLE INTERMEDIATES

GLI INTERMEDIARI REGISTRABILI (COMPLETI CON CUNEO PER CENTINATURA) POTREBBERO ESSERE FORNITI IN VERSIONE MONOLITICA OPPURE ASSEMBLATA (CORPO INTERMEDIARIO + PIASTRA FRONTALE)

THE ADJUSTABLE INTERMEDIATES (ASSEMBLED WITH THE ADJUSTABLE WEDGE) COULD BE SUPPLIED IN MONOLITHIC VERSION OR IN THE ASSEMBLED VERSION (INTERMEDIATE BODY + FRONT PLATE)



4221

H = 100

150 mm 3,8 kg

4222

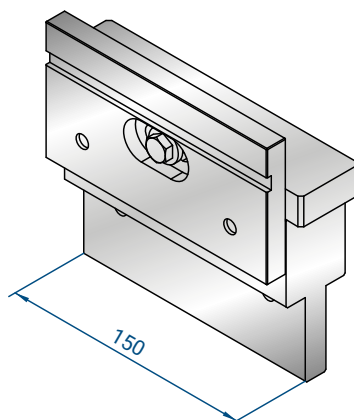
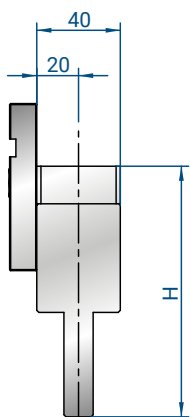
H = 120

150 mm 4,8 kg

4223

H = 150

150 mm 5,8 kg



4224

H = 100

150 mm 3,5 kg

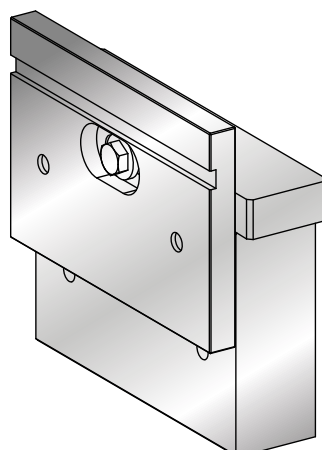
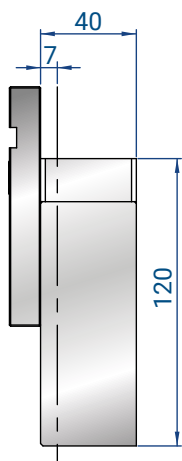
SOLO COMPATIBILE
CON STAFFA 5012

COMPATIBLE ONLY
WITH CLAMP 5012

4225

H = 120

150 mm 4,5 kg



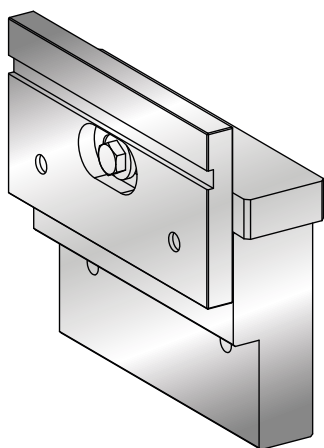
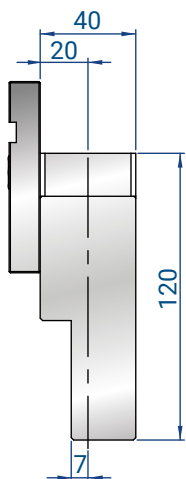
4073 - HD

H = 120

150 mm 7,2 kg

PER ALTI
TONNELLAGGI
HEAVY DUTY

INTERMEDIARI REGISTRABILI
ADJUSTABLE INTERMEDIATES



4411-HD

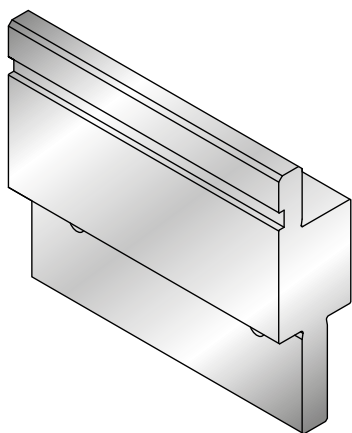
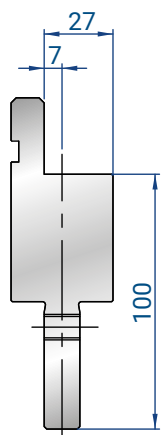
H = 120

150 mm 6,1 kg

PER ALTI
TONNELLAGGI

HEAVY DUTY

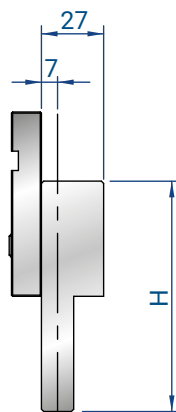
INTERMEDIARI FISSI / FIXED INTERMEDIATES



4282

H = 100

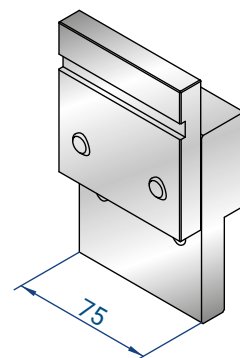
150 mm 3,8 kg



4226

H = 100

75 mm 3,8 kg



4227

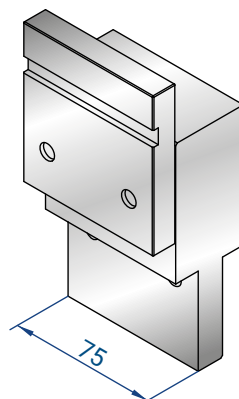
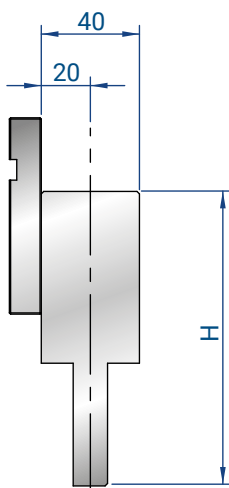
H = 150

75 mm 5,8 kg

4228

H = 120

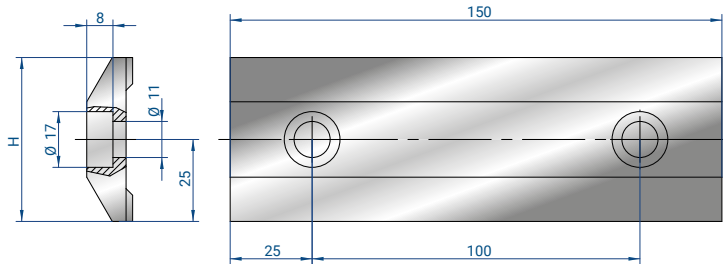
75 mm 4,5 kg



STAFFE / CLAMPS

LE VITI STANDARD M10X35 VERRANNO INCLUSE SOLO PER ORDINI RELATIVI ALL'INTERMEDIARIO PIU' STAFFA ASSIEME

THE STANDARD SCREWS M10X35 WILL BE INCLUDED ONLY FOR ORDERS RELATED TO INTERMEDIATE PLUS CLAMP ASSEMBLIES



DA INSTALLARE UTILIZZANDO VITI STANDARD M10X35
TO BE INSTALLED WITH STANDARD SCREWS M10X35

4016

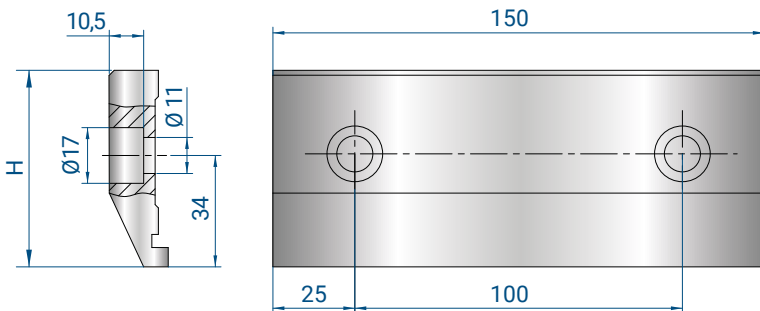
H = 50

150 mm 0,4 kg

5013

H = 43

150 mm 0,4 kg



DA INSTALLARE UTILIZZANDO VITI STANDARD M10X35
TO BE INSTALLED WITH STANDARD SCREWS M10X35

4020

H = 60

150 mm 0,8 kg

✗ #4000; #4224

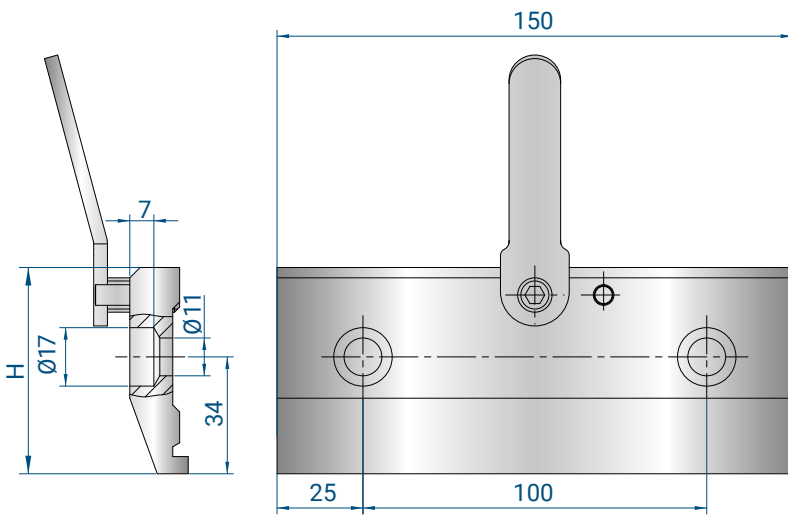
5012

H = 52

150 mm 0,8 kg

✓ #4000; #4224





4021

H = 60

150 mm 0,8 kg

✗ #4000; #4224

5011

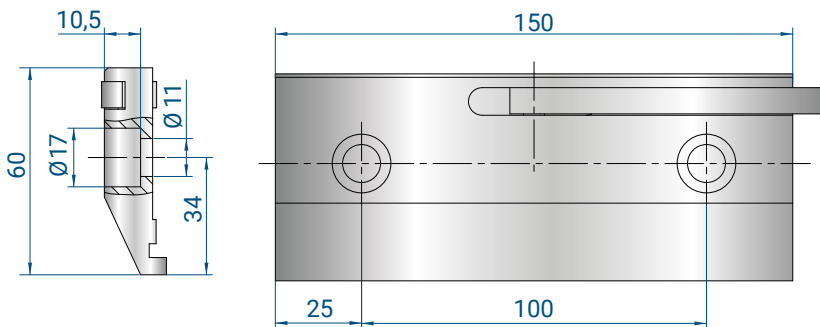
H = 52

150 mm 0,8 kg

✓ #4000

DA INSTALLARE UTILIZZANDO LE VITI SPECIALI 4281 "(IN DOTAZIONE)"

TO BE INSTALLED WITH SPECIAL SCREWS 4281 "(SUPPLIED WITH THE CLAMP)"



4009

H = 60

150 mm 0,8 kg

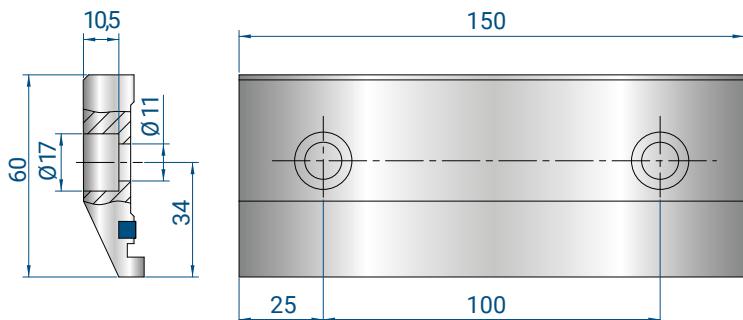
✗ #4000; #4001; #4224

DA INSTALLARE UTILIZZANDO VITI STANDARD M10X35

TO BE INSTALLED WITH STANDARD SCREWS M10X35

LE VITI STANDARD M10X35 VERRANNO INCLUSE SOLO PER ORDINI RELATIVI AD ASSIEME INTERMEDIO PIU' STAFFA

THE STANDARD SCREWS M10X35 WILL BE INCLUDED ONLY FOR ORDERS RELATED TO INTERMEDIATE PLUS CLAMP ASSEMBLIES



4199

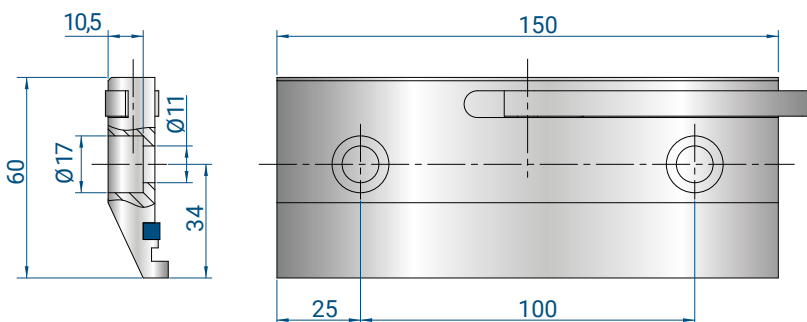
H = 60

150 mm 0,8 kg

DA INSTALLARE UTILIZZANDO VITI STANDARD M10X35

TO BE INSTALLED WITH STANDARD SCREWS M10X35

✕ #4000; #4001; #4224



4220

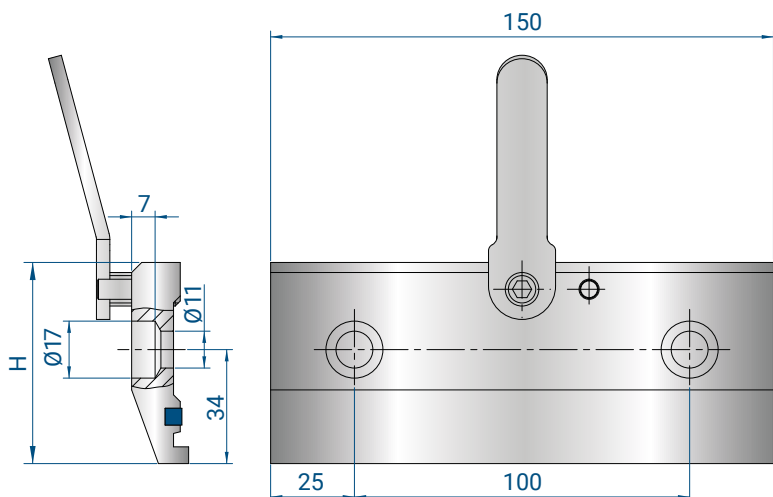
H = 60

150 mm 0,8 kg

DA INSTALLARE UTILIZZANDO VITI STANDARD M10X35

TO BE INSTALLED WITH STANDARD SCREWS M10X35

✕ #4000; #4001; #4224



4219

H = 60

150 mm 0,8 kg

DA INSTALLARE UTILIZZANDO LE VITI SPECIALI 4281 "(IN DOTAZIONE)"

TO BE INSTALLED WITH SPECIAL SCREWS 4281 (SUPPLIED WITH THE CLAMP)

✕ #4000; #4224

4349

LISTELLO IN POLIURETANO, RICAMBIO PER STAFFA:

POLYURETHANE STRIP, SPARE PART FOR:

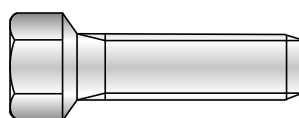
#4199; #4220; #4219

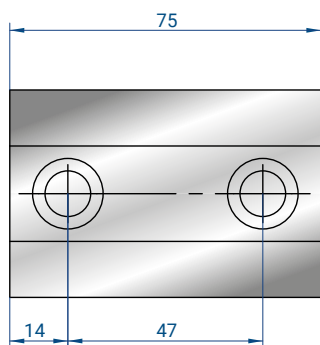
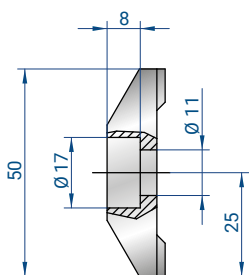


4281

VITI SPECIALI PER STAFFE 4021-5011-4219-4007, FORNITE CON STAFFA

SPECIAL SCREWS FOR CLAMPS 4021-5011-4219-4007, SUPPLIED WITH CLAMP





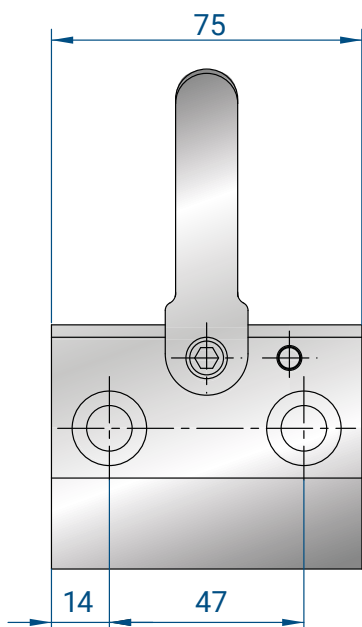
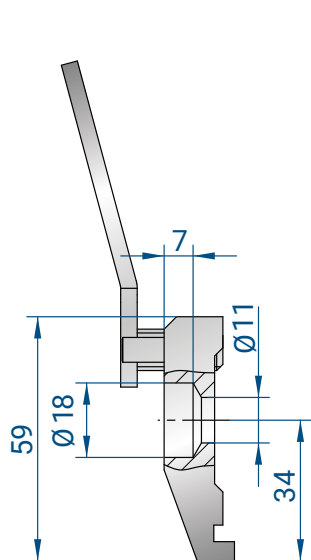
4008

DA INSTALLARE
UTILIZZANDO VITI
STANDARD M10X35

H = 50

75 mm 0,2 kg

TO BE INSTALLED WITH
STANDARD SCREWS
M10X35



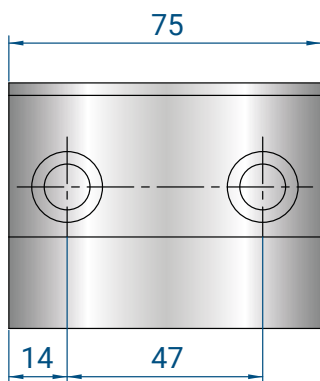
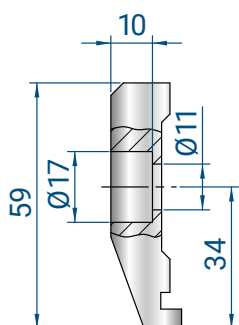
4007

DA INSTALLARE
UTILIZZANDO LE VITI
SPECIALI 4281

H = 59

75 mm 0,4 kg

TO BE INSTALLED WITH
SPECIAL SCREWS 4281



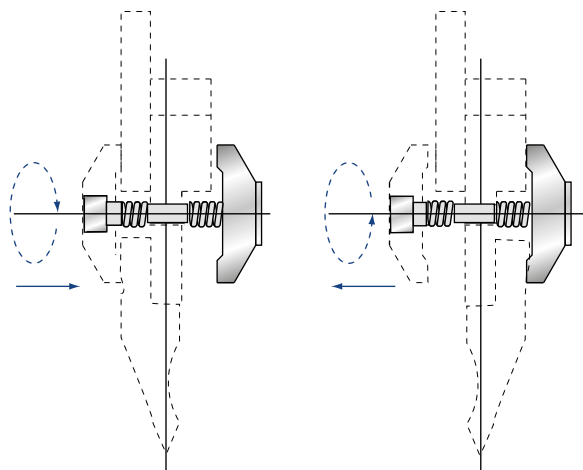
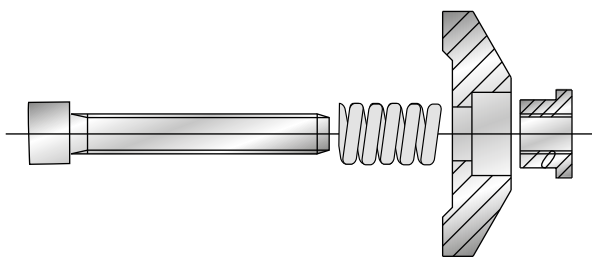
4090

DA INSTALLARE
UTILIZZANDO VITI
STANDARD M10X35

H = 59

75 mm 0,4 kg

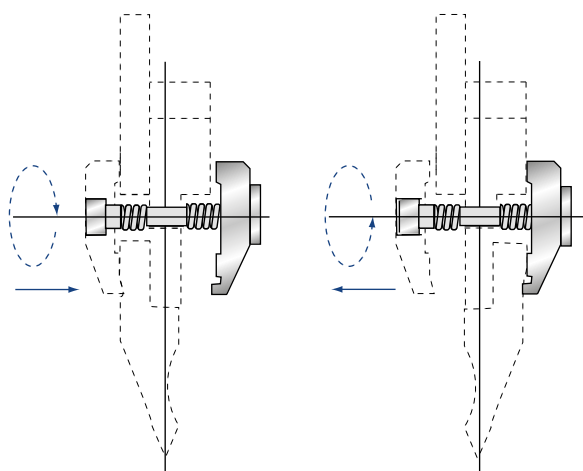
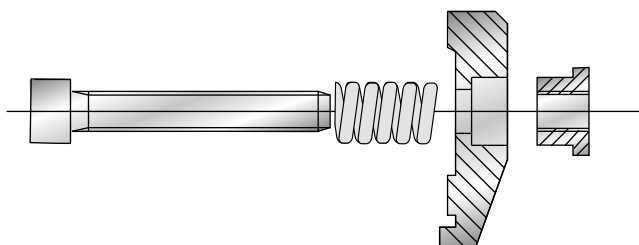
TO BE INSTALLED WITH
STANDARD SCREWS
M10X35



4031

KIT PER DOPPIO STAFFAGGIO
EQUIPMENT FOR DOUBLE CLAMPING

150 mm	1,0 kg
--------	--------

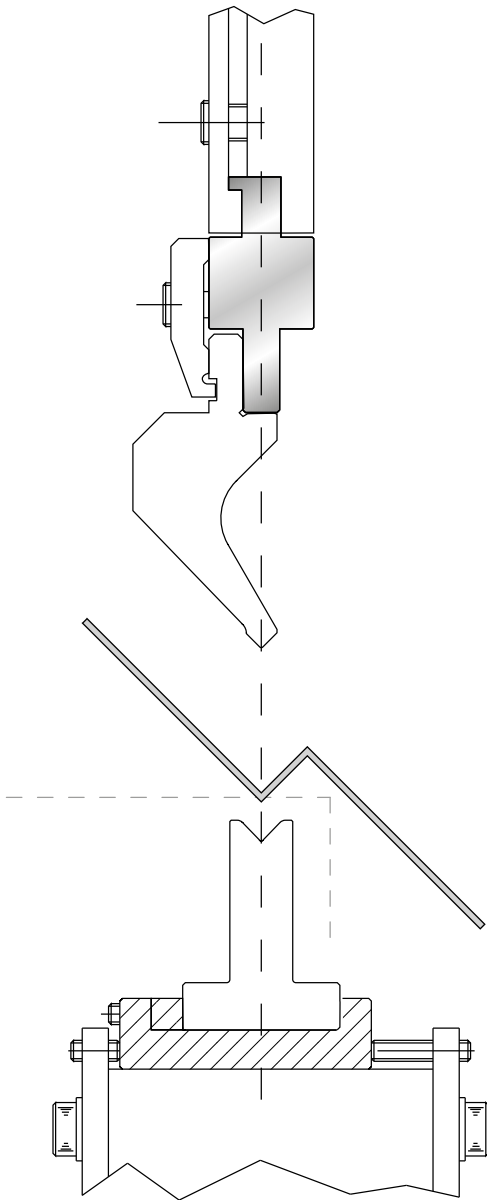


4032

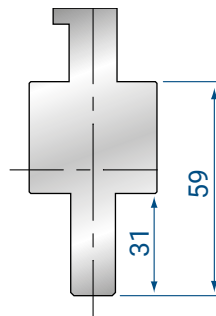
KIT PER DOPPIO STAFFAGGIO
EQUIPMENT FOR DOUBLE CLAMPING

150 mm	1,5 kg
--------	--------

ADATTATORI GENERICI PER UTENSILI SUPERIORI AMADA/PROMECAM STYLE
 GENERIC UPPER ADAPTERS FOR AMADA/PROMECAM STYLE TOOLING



ORDINE MINIMO N. 5 ADATTATORI
 MINIMUM ORDER N. 5 ADAPTERS

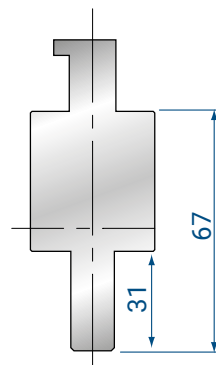


4000

150 mm 1,5 kg

STAFFA / CLAMP

5011; 5012

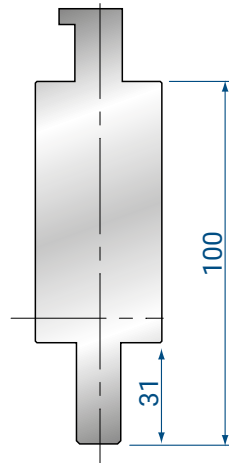


4001

150 mm 1,5 kg

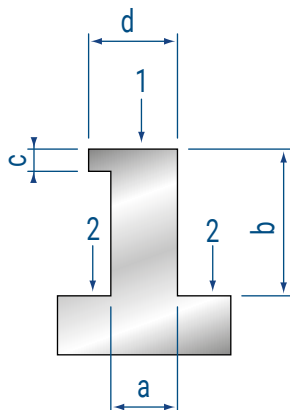
STAFFA / CLAMP

Max H = 60mm



4002

150 mm 1,5 kg

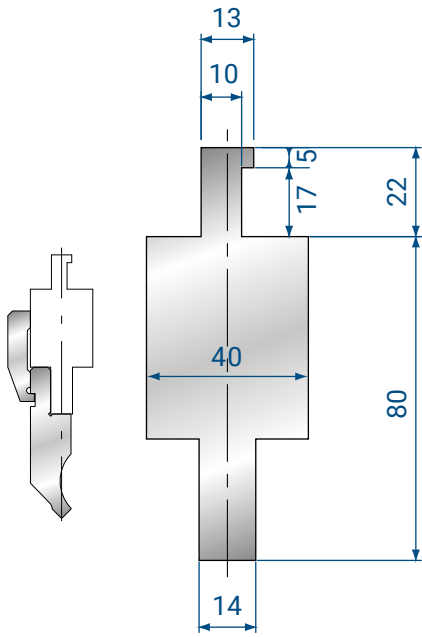


	1	2
a =		
b =		
c =		
d =		

INDICARE QUOTE D'ATTACCO
 E PUNTI DI SPINTA. (1)

PLEASE MARK CONTACT POINTS
 AND PRESSURE POINTS (2)

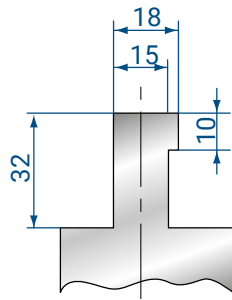
ADATTORI SPECIFICI PER UTENSILI SUPERIORI AMADA/PROMECAM
 SPECIFIC UPPER ADAPTERS FOR AMADA/PROMECAM STYLE TOOLING



4143

LVD STYLE S
 (small)
 STANDARD

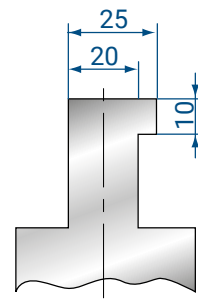
150 mm 3,0 kg



4144

LVD STYLE M
 (medium)
 SPECIAL

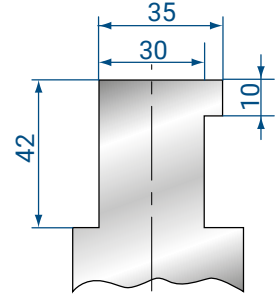
150 mm 3,0 kg



4145

LVD STYLE L
 (large)
 SPECIAL

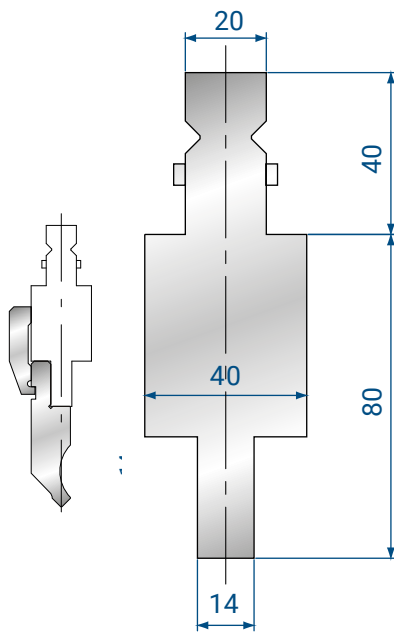
150 mm 3,0 kg



4146

LVD STYLE XL
 (Extra Large)
 SPECIAL

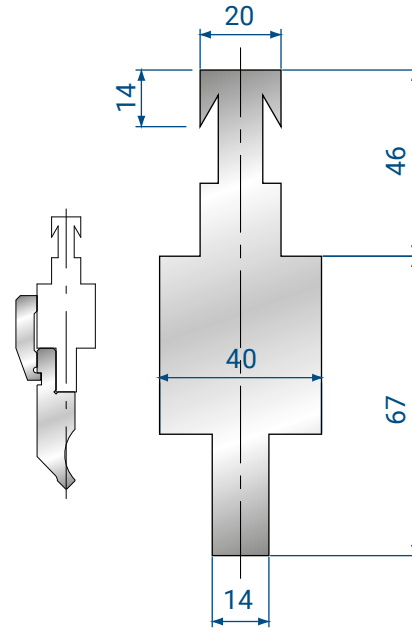
150 mm 3,0 kg



4191

TRUMPF/WILA
 STYLE

150 mm 4,0 kg

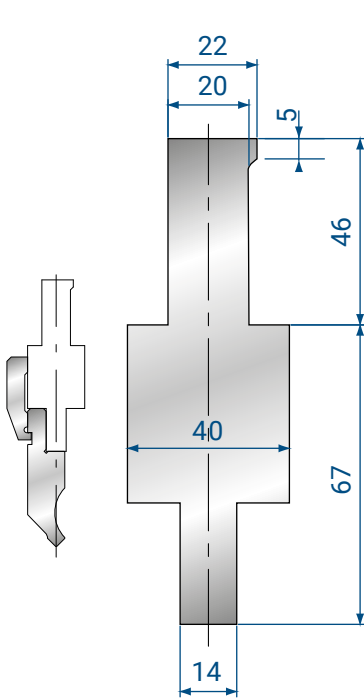


4192

BYSTRONIC-R
 STYLE

150 mm 3,2 kg

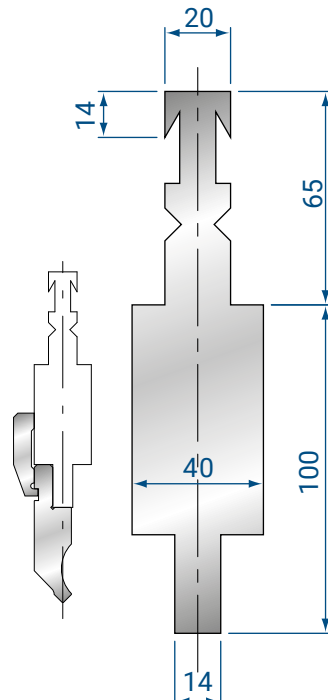
ADATTORI SPECIFICI PER UTENSILI SUPERIORI AMADA/PROMECAM
 SPECIFIC UPPER ADAPTERS FOR AMADA/PROMECAM STYLE TOOLING



4193

BYSTRONIC - S
 STYLE

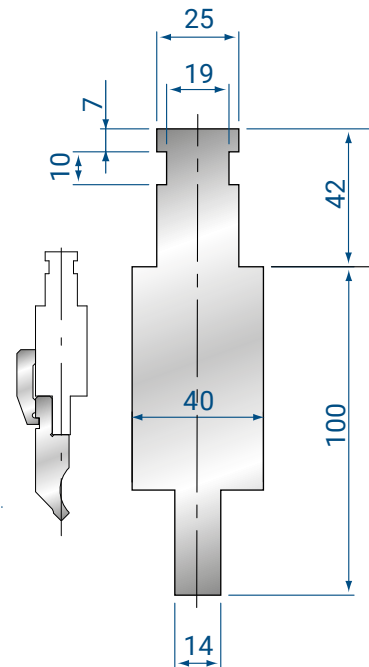
150 mm 3,5 kg



4214

BYSTRONIC -
 RF-A STYLE

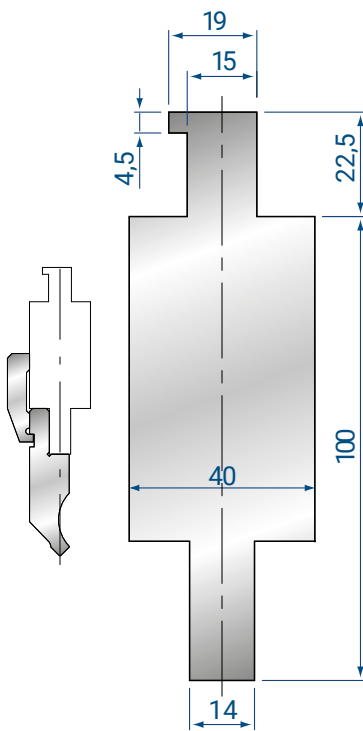
150 mm 5,0 kg



4215

WEINBRENNER
 STYLE

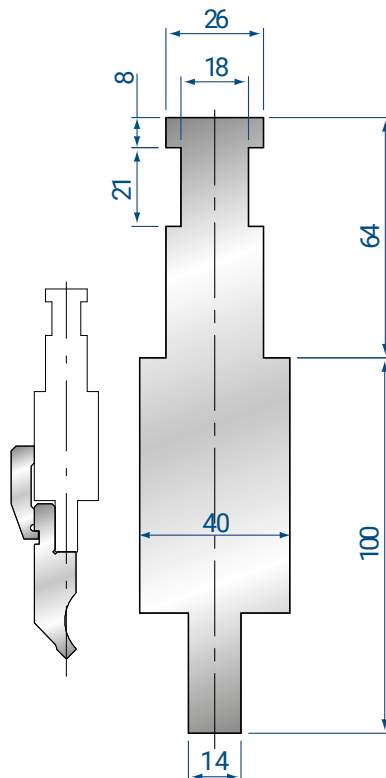
150 mm 5,0 kg



4216

CBC STYLE

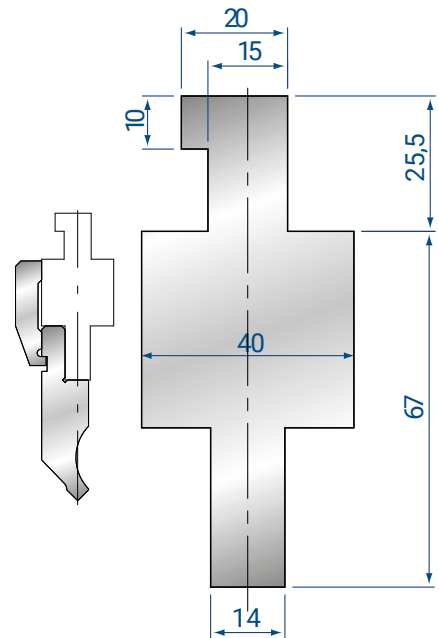
150 mm 4,5 kg



4217

EHT STYLE

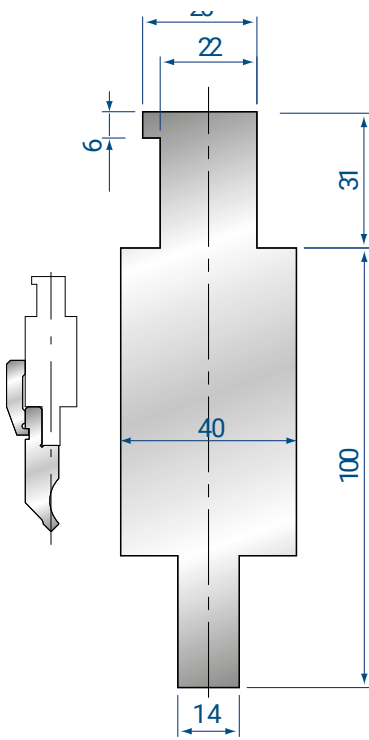
150 mm 5,5 kg



4218

DURMAZLAR
 STYLE

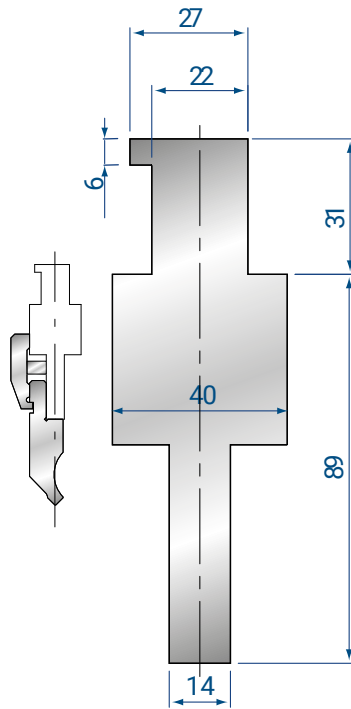
150 mm 3,0 kg



4229

DARLEY STYLE

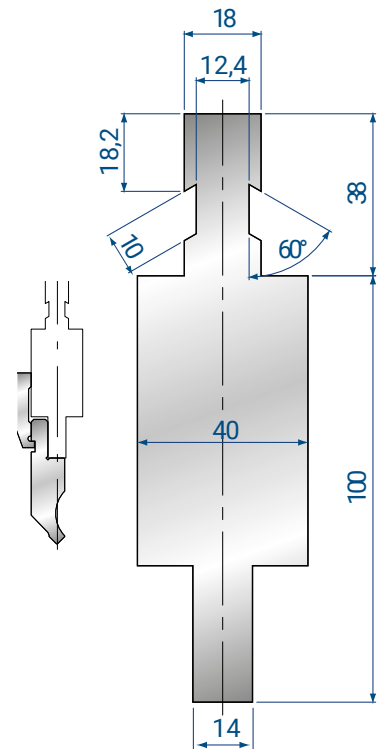
150 mm 4,5 kg



4272

BAYKAL STYLE

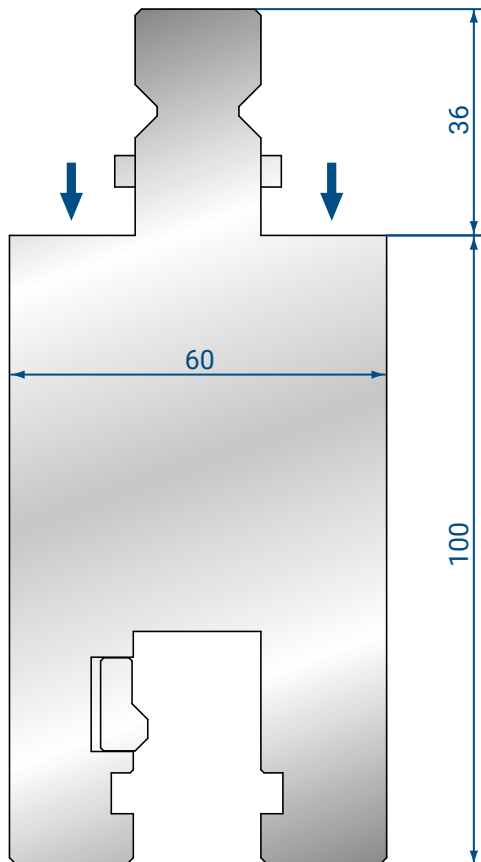
150 mm 4,5 kg



4273

COLGAR STYLE

150 mm 5,0 kg

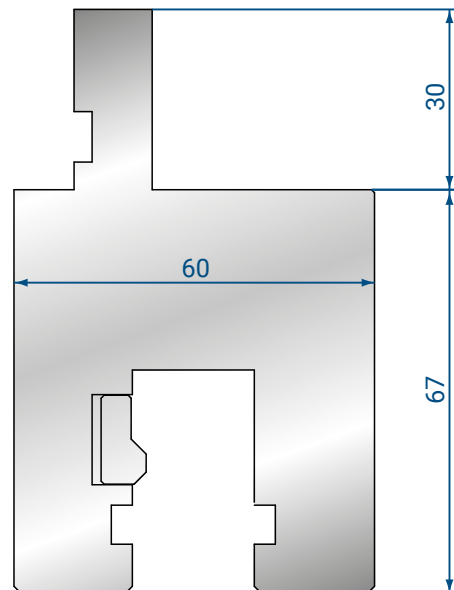


4361

PROLUNGA / EXTENTION FOR TRUMPF / WILA STYLE

H = 100

150 mm 6,9 kg

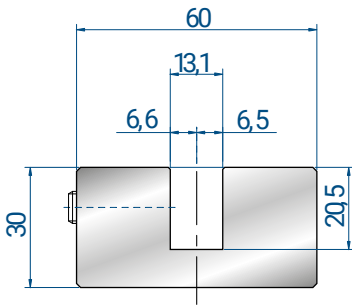


4362

ADATTATORE / ADAPTER FROM AMADA STYLE TO TRUMPF / WILA STYLE

H = 67

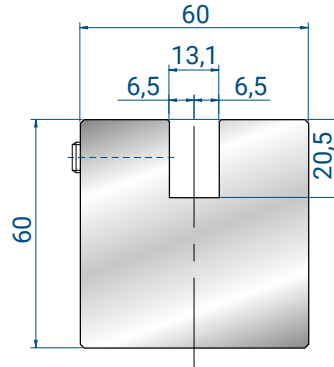
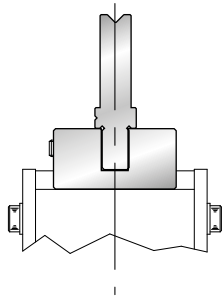
150 mm 4,0 kg



4301

FROM AMADA STYLE
TO TRUMPF - WILA -
BYSTRONIC STYLE

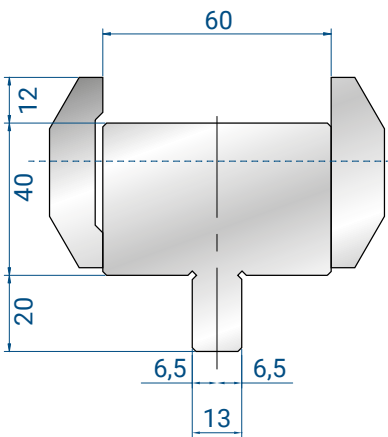
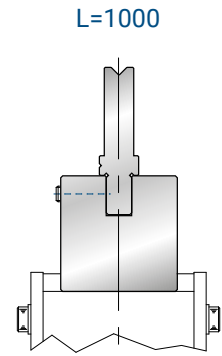
1000 mm	12,0 kg
500 mm	6,0 kg



4302

FROM AMADA STYLE
TO TRUMPF - WILA -
BYSTRONIC STYLE

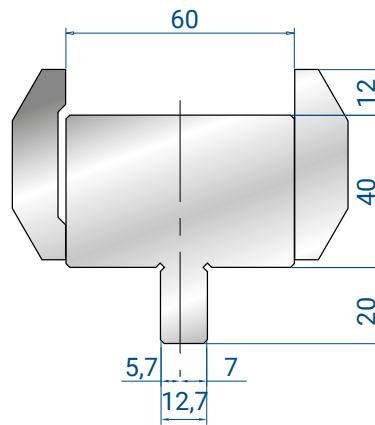
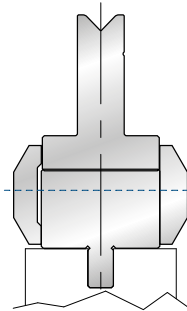
1000 mm	26,0 kg
500 mm	13,0 kg



4303

FROM TRUMPF - WILA - BYSTRONIC
STYLE TO AMADA STYLE

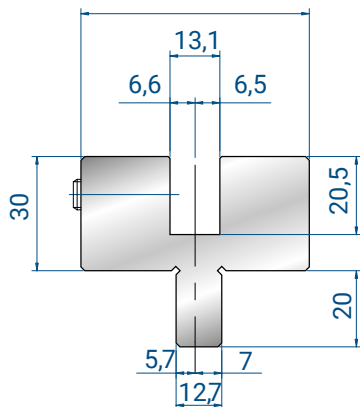
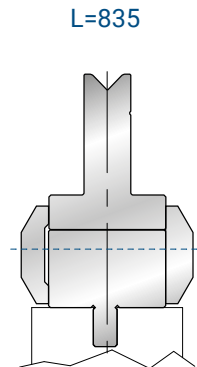
835 mm	25,0 kg
415 mm	12,0 kg



4304

FROM LVD STYLE TO
AMADA STYLE

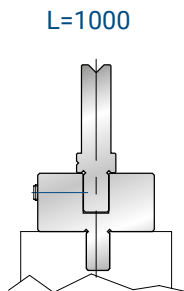
835 mm	25,0 kg
415 mm	12,0 kg



4305

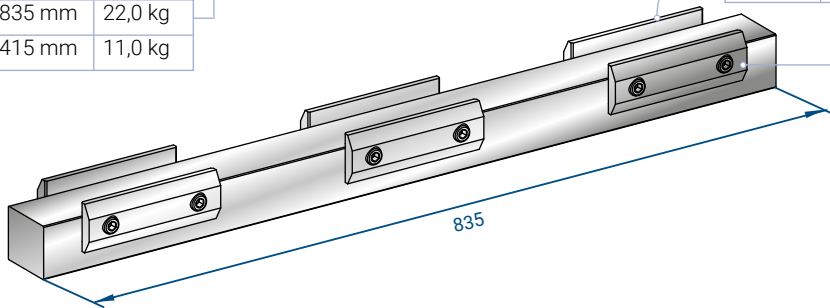
FROM LVD STYLE TO TRUMPF -
WILA - BYSTRONIC STYLE

1000 mm	11,0 kg
500 mm	5,0 kg



4033

835 mm	22,0 kg
415 mm	11,0 kg

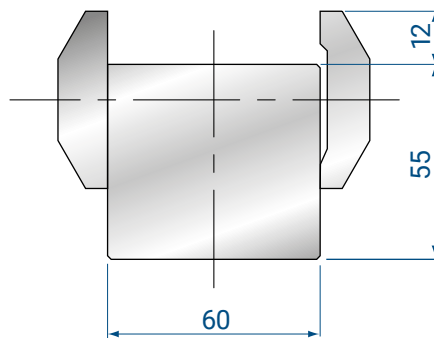


4034

150 mm	0,4 kg
--------	--------

4016

150 mm	0,4 kg
--------	--------

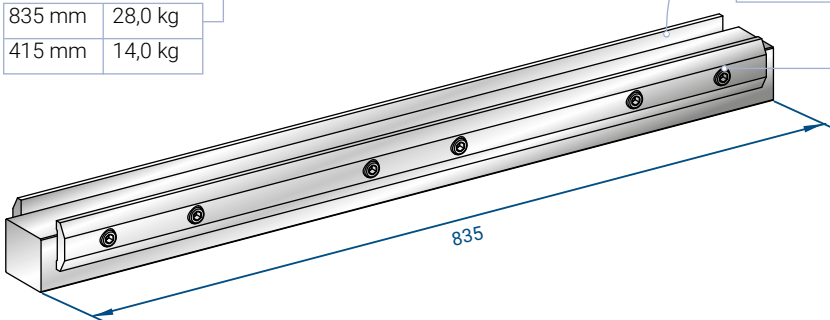


**CONTROTAVOLA
AMADA STYLE**

AMADA STYLE
LOWER ADAPTER

4050

835 mm	28,0 kg
415 mm	14,0 kg

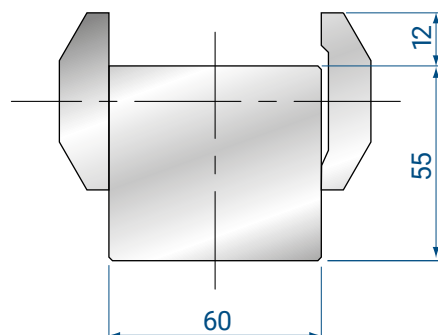


4041

800 mm	1,0 kg
380 mm	0,5 kg

4040

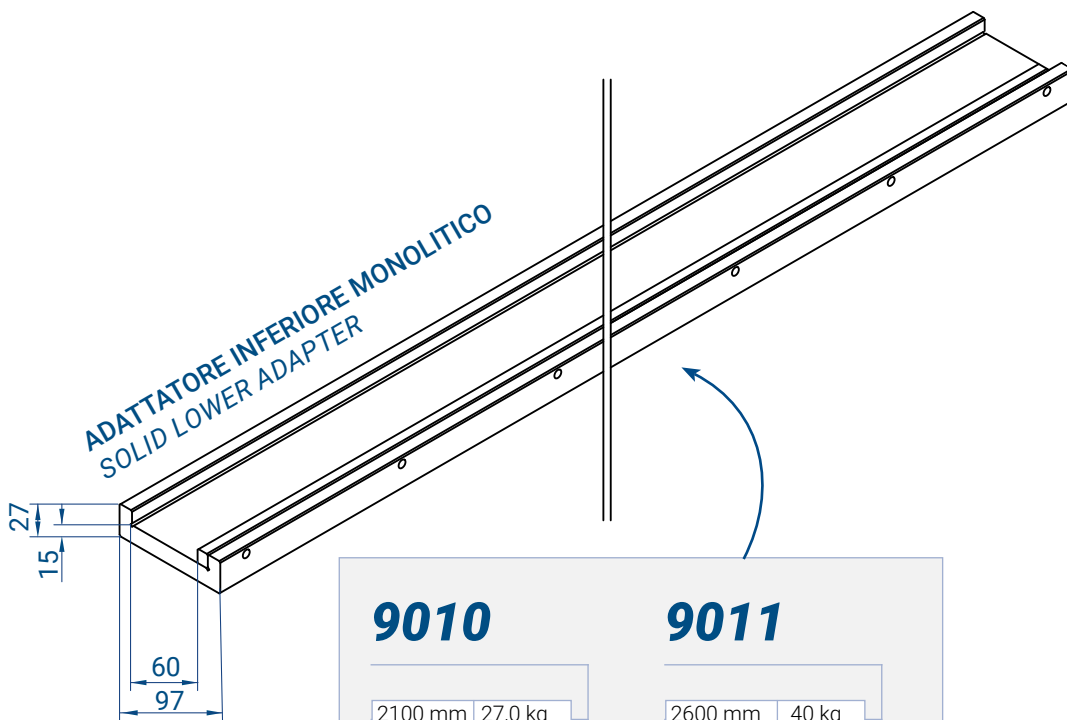
800 mm	1,0 kg
380 mm	0,5 kg



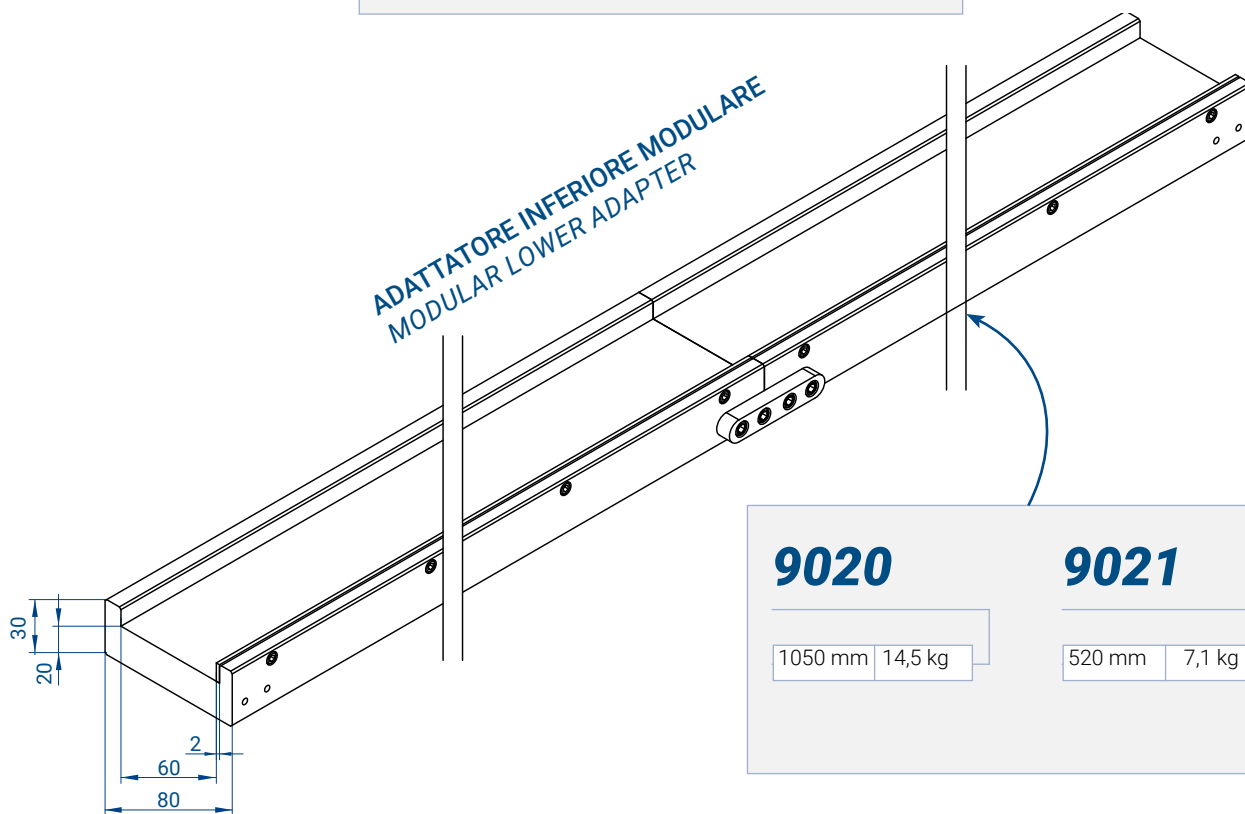
**CONTROTAVOLA
AMADA STYLE**

AMADA STYLE
LOWER ADAPTER

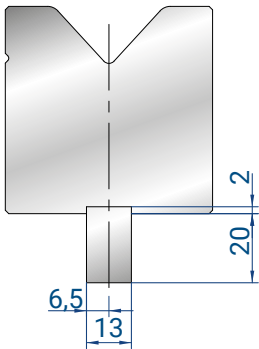
ADATTATORI PER UTENSILI INFERIORI STILE AMADA/PROMECAM
 LOWER ADAPTERS FOR LOWER TOOLING AMADA/PROMECAM STYLE



9010	9011
2100 mm 27,0 kg	2600 mm 40 kg
9012	9013
3100 mm 34,0 kg	4100 mm 53,0 kg



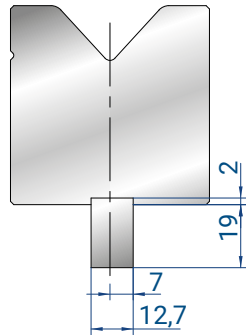
9020	9021
1050 mm 14,5 kg	520 mm 7,1 kg



8100

BYSTRONIC /
TRUMPF STYLE

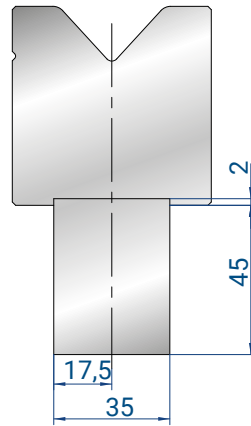
835 mm	1,8 kg
415 mm	0,9 kg



8101

LVD STYLE

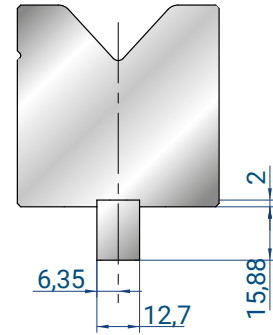
835 mm	1,8 kg
415 mm	0,9 kg



8102

WEINBRENNER
STYLE

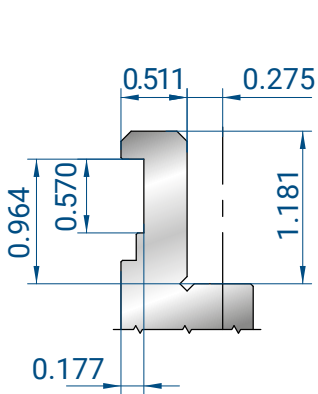
835 mm	10,5 kg
415 mm	5,2 kg



8107

AMERICAN
STYLE

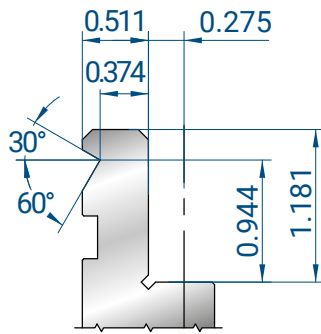
835 mm	1,4 kg
415 mm	0,7 kg



8010

BARRETTA
STYLE

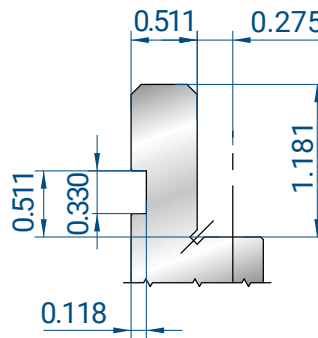
835 mm
415 mm
805 mm SEZIONATO



8011

BMB STYLE

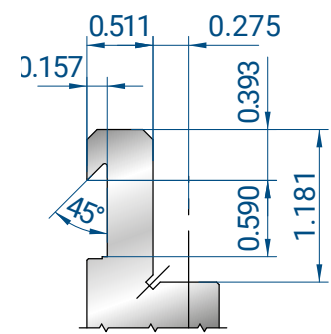
835 mm
415 mm
805 mm SEZIONATO



8012

AMADA /
PROMECAM
STYLE

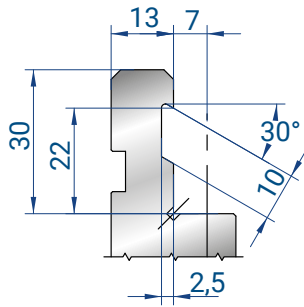
STANDARD



8013

GASPARINI
STYLE

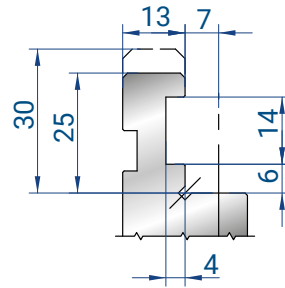
835 mm
415 mm
805 mm SEZIONATO



8014

TEDA STYLE

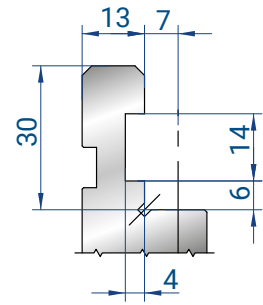
835 mm
415 mm
805 mm SEZIONATO



8016

EURO
BYSTRONIC
STYLE

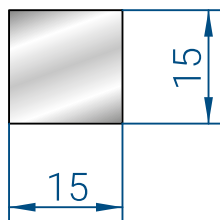
835 mm
415 mm
805 mm SEZIONATO



8017

BYSTRONIC
STYLE

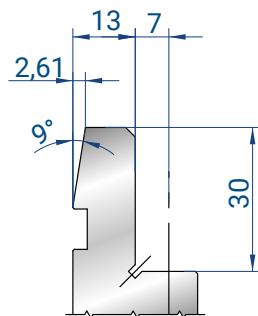
835 mm
415 mm
805 mm SEZIONATO



8106

TRAFILATI 15X15
SQUARE BAR 15X15

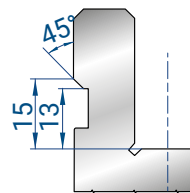
835 mm	2,9 kg
--------	--------



8020

ONE TOUCH
STYLE

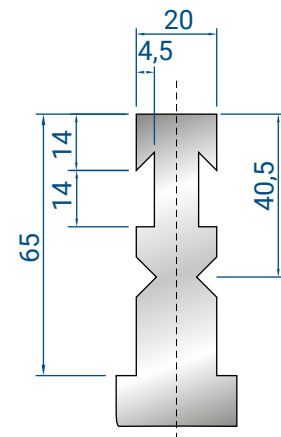
835 mm
415 mm
805 mm SEZIONATO



8021

SMART CLAMP
STYLE

835 mm
415 mm
805 mm SEZIONATO



8022

BYSTRONIC
RF - A STYLE

INCLUDED
ON DEMAND

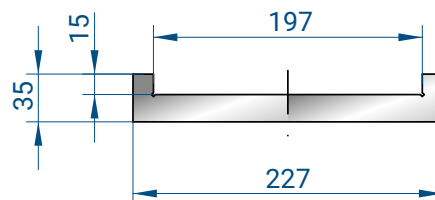
SUPPORTI INFERIORI PER MATRICI REGOLABILI LOWER HOLDER FOR ADJUSTABLE DIES

SUPPORTI SPECIFICI PER OGNI MODELLO DI MATRICE REGOLABILE
SPECIFIC HOLDER FOR EACH ADJUSTABLE DIE HOLDER

9015

2000 mm	80,0 kg
1000 mm	40,0 kg
500 mm	20,0 kg

PER MATRICE / FOR DIE
3190



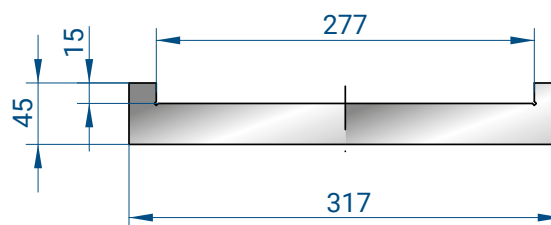
9018

SPECIFICO PER ATTACCO WILA / TRUMPF
WILA / TRUMPF DEDICATED TANG

9016

2000 mm	212,0 kg
1000 mm	106,0 kg
500 mm	53,0 kg

PER MATRICE / FOR DIE
3191



9019

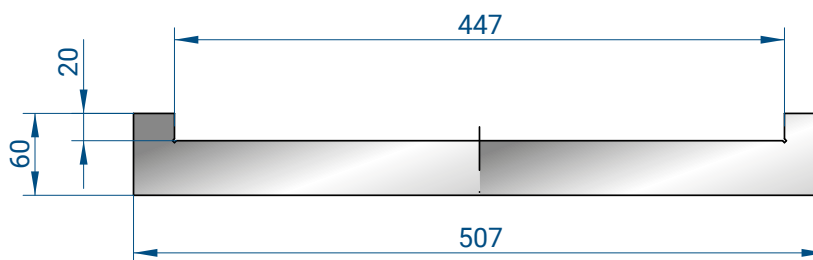
SPECIFICO PER ATTACCO WILA / TRUMPF
WILA / TRUMPF DEDICATED TANG

9014

2000 mm	396,0 kg
1000 mm	198,0 kg
500 mm	99,0 kg

PER MATRICE
FOR DIE

3192

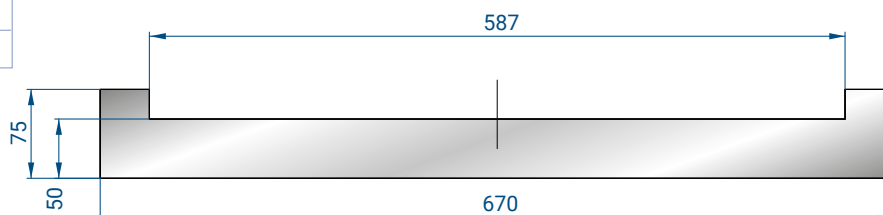


9017

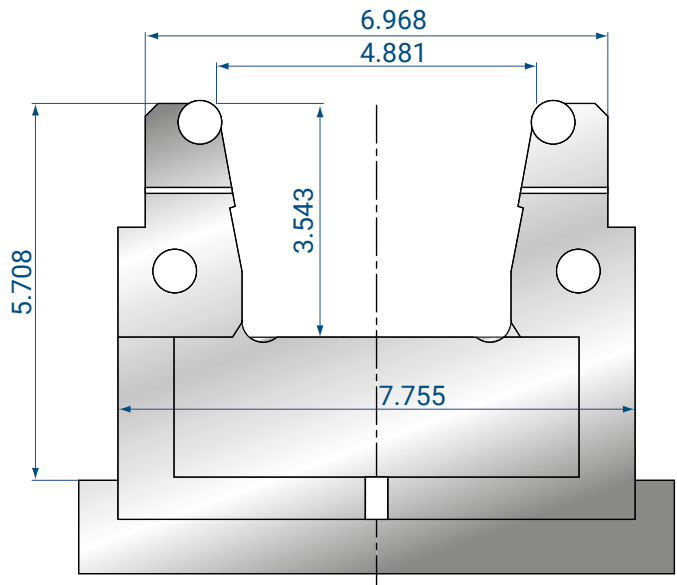
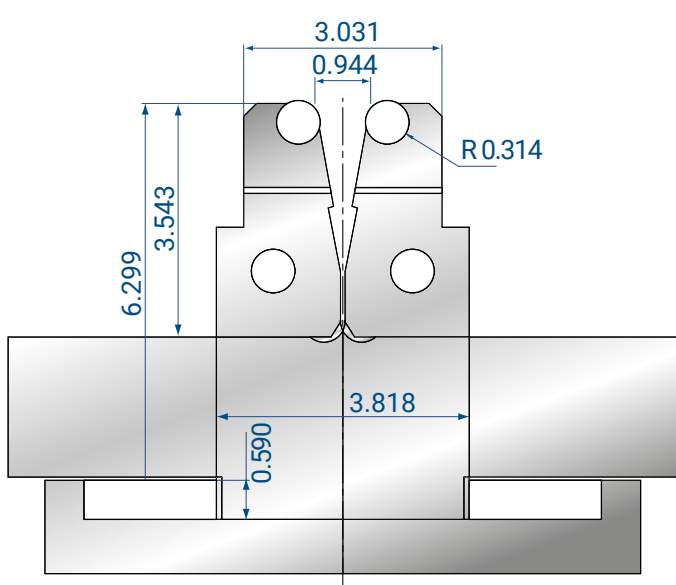
2000 mm	600,0 kg
1000 mm	300,0 kg
500 mm	150,0 kg

PER MATRICE
FOR DIE

3242



OGNI MODELLO DI MATRICE RICHIEDE UNO SPECIFICO SUPPORTO
EACH DIE REQUIRES THE PROPER SUPPORT



3190

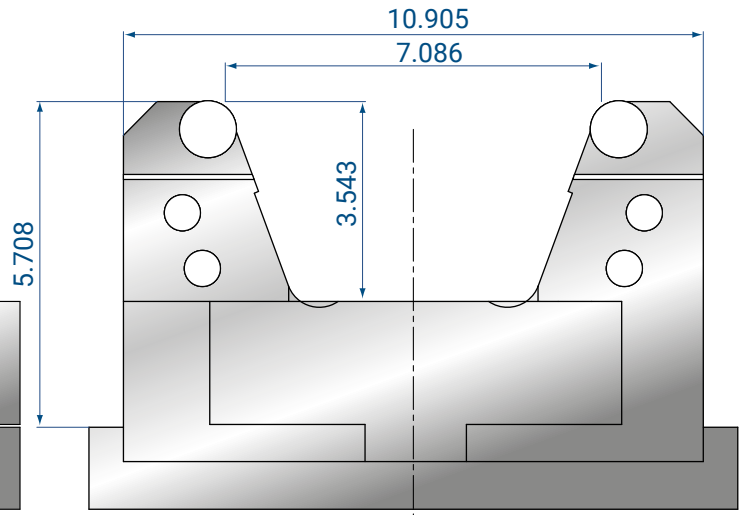
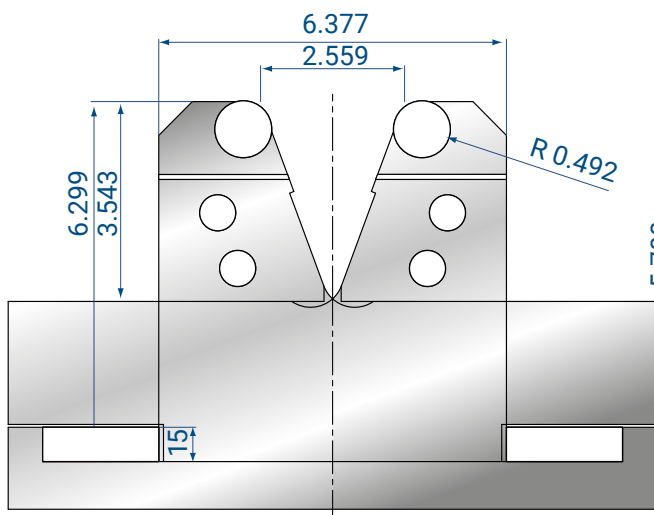
1050 mm	133,0 kg
1000 mm	125,0 kg
550 mm	72,0 kg
500 mm	64,0 kg
250 mm	34,0kg

Angolo minimo di piega / Minimum bend angle = 30°

Apertura V / V width = min 24mm – max. 124mm

F Max = 125 Ton/m at 90°

#9015; #9018 (pag 243)



3191

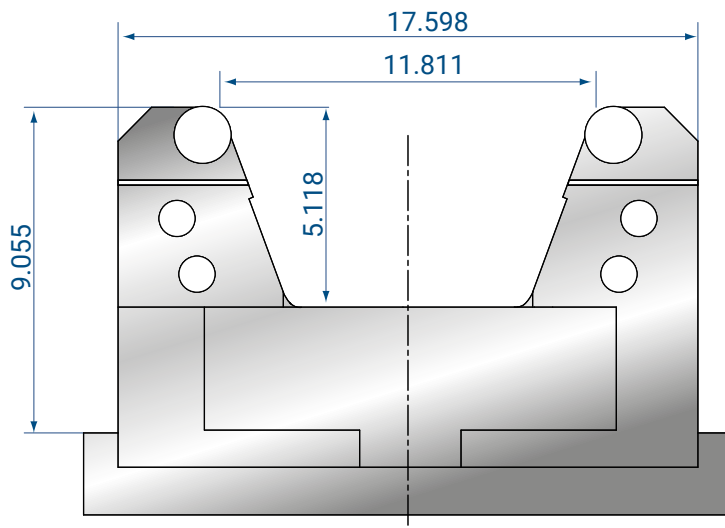
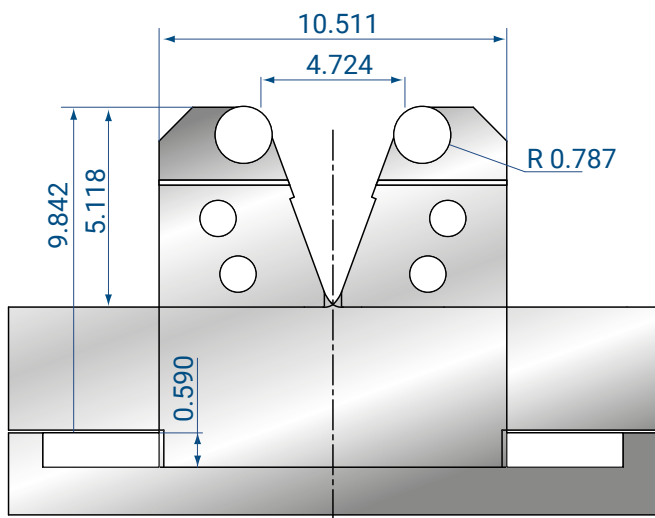
1050 mm	180,0 kg
1000 mm	170,0 kg
550 mm	96,0 kg
500 mm	86,0 kg
250mm	44,0kg

Angolo minimo di piega / Minimum bend angle = 60°

Apertura V / V width = min 65mm – max. 180mm

F max = 200 Ton/m at 90°

#9016; #9019 (pag 243)



3192

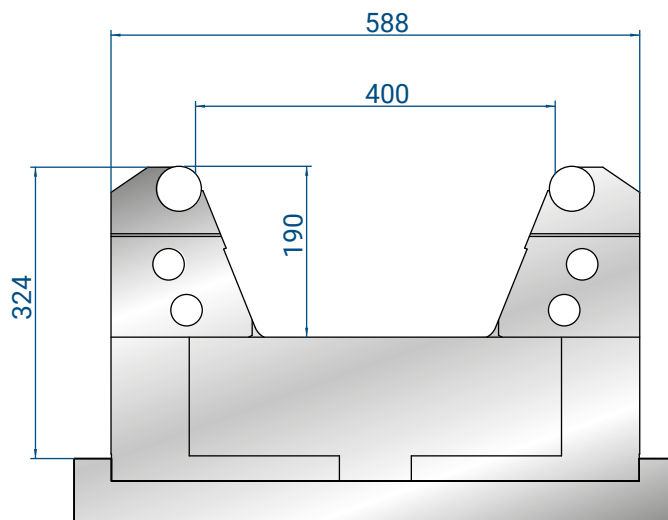
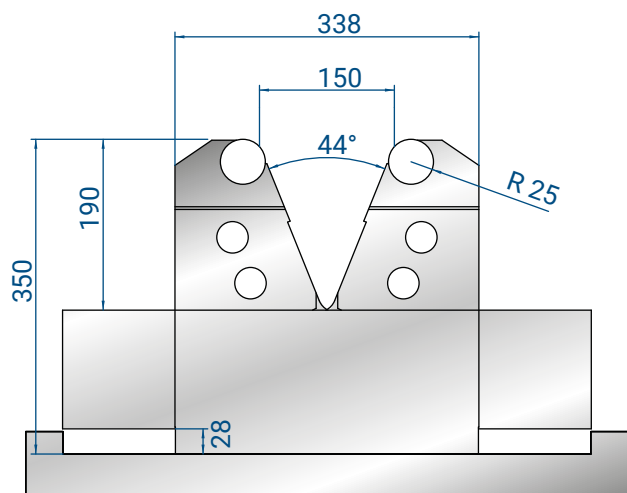
600 mm 360,0 kg

Angolo minimo di piega / Minimum bend angle = 60°

Apertura V / V width = min. 120mm – max. 300mm

F Max = 400 T/m at 90°

#9014 (pag 243)



3243

600 mm 560,0 kg

Angolo minimo di piega / Minimum bend angle = 60°

Apertura V / V width = min 150mm – max. 400mm

F Max = 600 Ton/m at 90°

#9017 (pag 243)



COPPIA DI SUPPORTI PER PELLICOLE / TESSUTI
PROTETTIVI
COUPLE OF SUPPORT FOR PROTECTIVE SHEET / FABRIC

4309

2,0 kg



PELLICOLA DI POLIURETANO ANTIGRAFFIO
SCRATCH-RESISTANT POLYURETHANE FILM

4308

Spessore / *thickness* = 0,5 mm
Larghezza / *width* = 105 mm
Lunghezza / *length* = 33 m
Peso / *weight* = 1,7 kg

4314

Spessore / *thickness* = 0,8 mm
Larghezza / *width* = 95 mm
Lunghezza / *length* = 33 m
Peso / *weight* = 2,7 kg



TESSUTO PROTETTIVO PER PREVENIRE E
RIDURRE ENTITÀ DI MARCATURE SU LAMIERA
PROTECTIVE FABRIC FOR AVOIDING / LIMITING
THE ENTITY OF MARKS OF THE SHEET METAL

4379

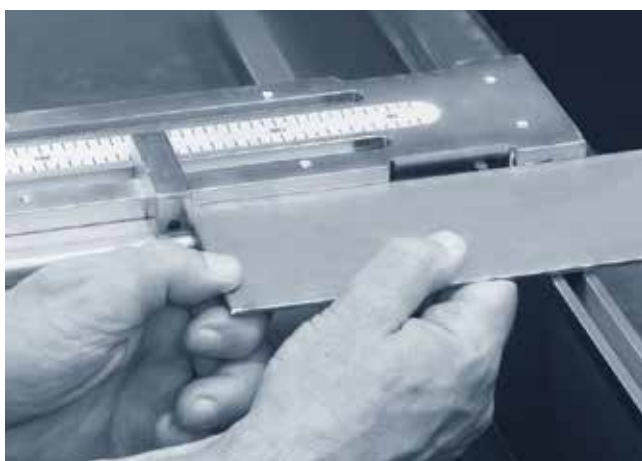
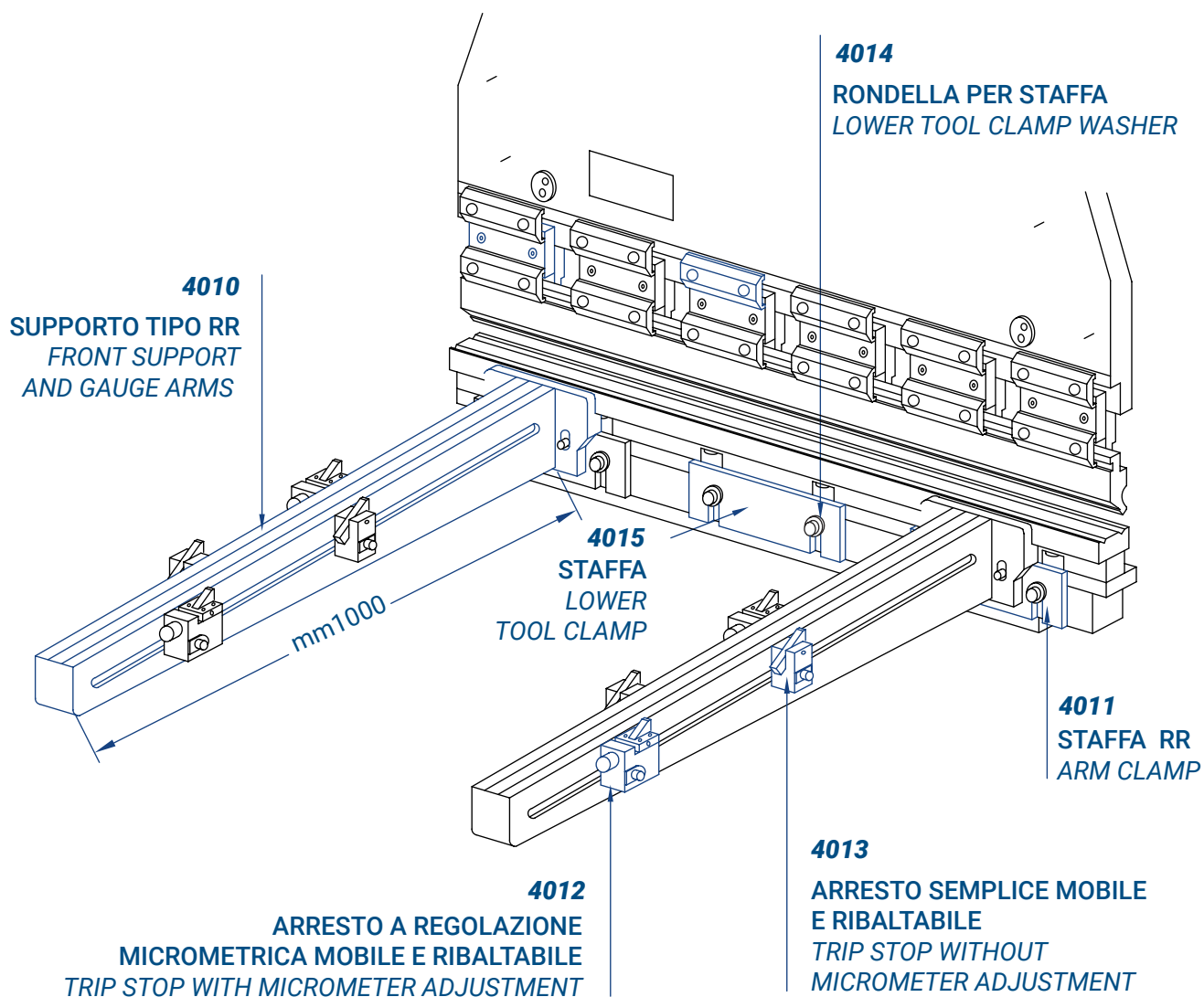
L = 5 m / 0,4 kg
L = 10 m / 0,8 kg
Spessore / *thickness* = Max 3 mm



4380

L = 5 m / 0,4 kg
L = 10 m / 0,8 kg
Spessore / *thickness* = Max 6 mm





4306

SQUADRE DI RIFERIMENTO
REFERENCE SQUARES

3,0 kg



4307

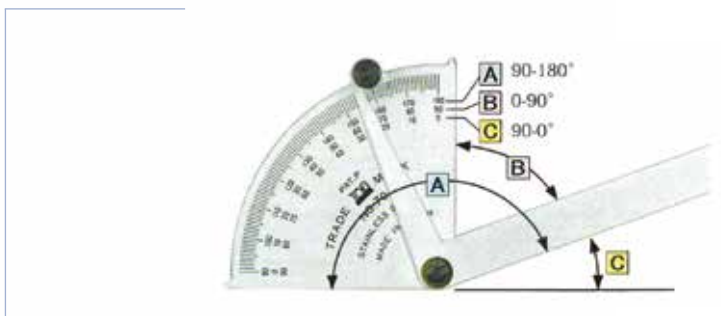
SQUADRE DI RIFERIMENTO ORIENTABILI
ADJUSTSABLE REFERENCE SQUARES

3,5 kg

GONIOMETRO MANUALE PER LA MISURAZIONE DI ANGOLI INTERNI ED ESTERNI CON LA MINIMA INTERFERENZA
MANUAL PROTRACTOR FOR MEASURING INTERNAL AND EXTERNAL ANGLES WITHOUT INTERFERENCE

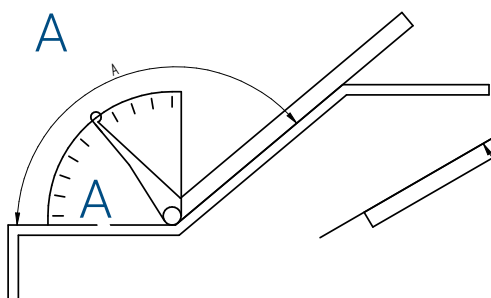
4883

TRIPLA MODALITÀ DI LETTURA
THREE SETS OF READING

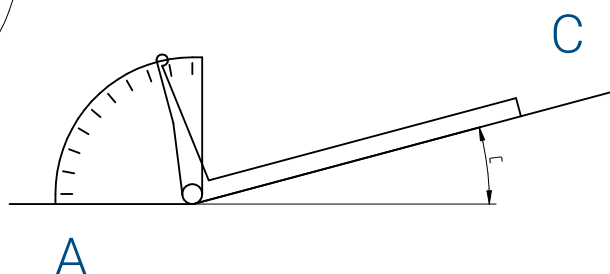
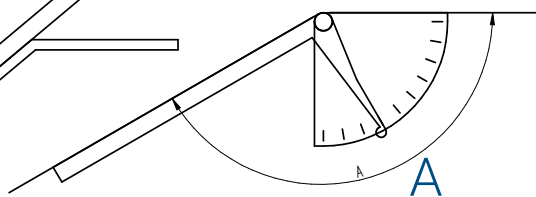


PRECISIONE ACCURACY	DIMENSIONI DIMENSIONS	UNITÀ GRADUATION	MATERIALE MATERIAL
+/- 0,2°	L = 255 mm H = 80 mm	1°	ACCIAIO INOX 1,2 mm

MODALITÀ DI UTILIZZO
HOW TO USE



MISURA ANGOLO INTERNO
INTERNAL ANGLE MEASUREMENT



MISURA ANGOLO ESTERNO
OUTSIDE ANGLE MEASUREMENT

CALIBRO DIGITALE PER LA MISURA DI SMUSSI A 45° E DI RAGGI
DIGITAL GAUGE FOR 45° CHAMFERS AND RADIUS

4384



Utilizzabile per misurare le dimensioni di smussi a 45° e di raggi
Il pulsante C/R commuta fra misura di smusso (c) e di raggio (r)
Possibilità di effettuare misure assolute e relative
Definizione del punto 0 in qualsiasi posizione
Pezzo campione \varnothing 20 mm per calibrazione compreso nella confezione

*Measures a small 45° chamfer and radius.
The C/R toggles between chamfer and radius measurement
Absolute and relative measurement functions are available
Zero setting at any point
Setting master pin gauge for calibration included*

MISURAZIONE <i>MEASUREMENT</i>	Smusso a 45° su angolo retto; raggio esterno di piegatura. <i>45° chamfer on a square corner; outer corner radius.</i>	
GAMMA DI MISURAZIONE <i>MEASUREMENT RANGE</i>	Smusso su angoli 45° (C) Raggio su angoli 90° (R) Raggio su angoli acuti ≤ 89° (R)	0,01 - 15,00 mm 0,01 - 25,00 mm 0,06 - 25,00 mm
	<i>Chamfer on angle 45° (C)</i> <i>Radius on angle 90° (R)</i> <i>Radius on acute angles ≤ 89° (R)</i>	<i>0,01 - 15,00 mm</i> <i>0,01 - 25,00 mm</i> <i>0,06 - 25,00 mm</i>
RISOLUZIONE <i>RESOLUTION</i>	0,01 mm	
TOLLERANZA <i>ACCURACY</i>	Smussi = +/- 0,05mm <i>Chamfer = +/- 0,05mm</i>	Raggi= +/- 0,08mm <i>Radius= +/- 0,08mm</i>
MATERIALE <i>MATERIAL</i>	Acciaio inox <i>Stainless steel</i>	



ARMADI PORTA UTENSILI / TOOLING CABINETS

COLORE STANDARD NERO / STANDARD COLOUR BLACK



CODICE CODE	STILE STYLE	ANTE DRAWERS	LUNGHEZZA LENGTH (mm)
ACARM0NE0003	Amada	3	835
ACARM1NE0003	Trumpf / Wila / Bystronic / LVD	3	1100
ACARM2NE0003	Trumpf / Wila / Bystronic / LVD	3	550










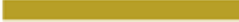
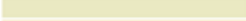



















































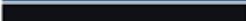







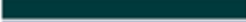
















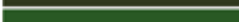














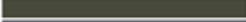
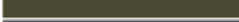








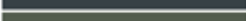

















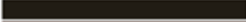








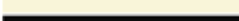

















CODICE CODE	STILE STYLE	ANTE DRAWERS	LUNGHEZZA LENGTH (mm)
ACARM0NE0004	Amada	4	835
ACARM1NE0004	Trumpf / Wila / Bystronic / LVD	4	1100
ACARM2NE0004	Trumpf / Wila / Bystronic / LVD	4	550



CODICE CODE	STILE STYLE	ANTE DRAWERS	LUNGHEZZA LENGTH (mm)
ACARM0NE0005	Amada	5	835
ACARM1NE0005	Trumpf / Wila / Bystronic / LVD	5	1100
ACARM2NE0005	Trumpf / Wila / Bystronic / LVD	5	550

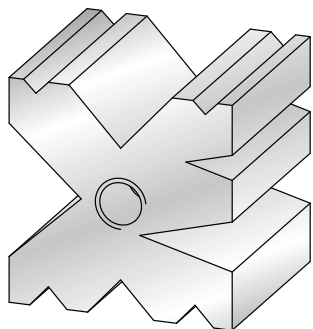


CODICE CODE	STILE STYLE	ANTE DRAWERS	LUNGHEZZA LENGTH (mm)
CARRELLO0005	Carrello mobile per utensili Amada 5 ripiani - L= 835 mm Mobile trolley for Amada tools 5 shelves - L= 835 mm		

RAL 1001		RAL 1002	
RAL 1004		RAL 1005	
RAL 1006		RAL 1007	
RAL 1011		RAL 1012	
RAL 1013		RAL 1014	
RAL 1015		RAL 1017	
RAL 1018		RAL 1019	
RAL 1020		RAL 1021	
RAL 1023		RAL 1028	
RAL 1032		RAL 1033	
RAL 1034		RAL 2000	
RAL 2001		RAL 2002	
RAL 2003		RAL 2004	
RAL 2008		RAL 2009	
RAL 2011		RAL 2012	
RAL 3000		RAL 3001	
RAL 3002		RAL 3003	
RAL 3004		RAL 3005	
RAL 3009		RAL 3012	
RAL 3013		RAL 3014	
RAL 3015		RAL 3016	
RAL 3017		RAL 3018	
RAL 3020		RAL 3022	
RAL 3027		RAL 3031	
RAL 4001		RAL 4002	
RAL 4003		RAL 4004	
RAL 4005		RAL 4006	
RAL 4007		RAL 4008	
RAL 4009		RAL 5001	
RAL 5002		RAL 5003	
RAL 5004		RAL 5007	
RAL 5009		RAL 5010	
RAL 5011		RAL 5012	
RAL 5013		RAL 5014	
RAL 5015		RAL 5017	
RAL 5018		RAL 5019	
RAL 5020		RAL 5022	
RAL 5024		RAL 6000	
RAL 6001		RAL 6002	
RAL 6003		RAL 6004	
RAL 6005		RAL 6006	
RAL 5021		RAL 6007	
RAL 6009		RAL 6010	
RAL 6011		RAL 6012	
RAL 6013		RAL 6014	
RAL 6016		RAL 6017	
RAL 6018		RAL 6019	
RAL 6020		RAL 6021	
RAL 6024		RAL 6025	
RAL 6026		RAL 6027	
RAL 6028		RAL 6029	
RAL 6033		RAL 6034	
RAL 7000		RAL 7001	
RAL 7003		RAL 7006	
RAL 7011		RAL 7015	
RAL 7016		RAL 7021	
RAL 7023		RAL 7024	
RAL 7026		RAL 7030	
RAL 7031		RAL 7032	
RAL 7033		RAL 7034	
RAL 7035		RAL 7036	
RAL 7037		RAL 7038	
RAL 7040		RAL 7042	
RAL 7043		RAL 7044	
RAL 8000		RAL 8001	
RAL 8002		RAL 8003	
RAL 8004		RAL 8007	
RAL 8011		RAL 8012	
RAL 8014		RAL 8015	
RAL 8016		RAL 8017	
RAL 8019		RAL 8023	
RAL 8024		RAL 8025	
RAL 8028		RAL 9001	
RAL 9002		RAL 9004	
RAL 9005		RAL 9006	
RAL 9010		RAL 9011	
RAL 9016		RAL 9017	
RAL 9018			

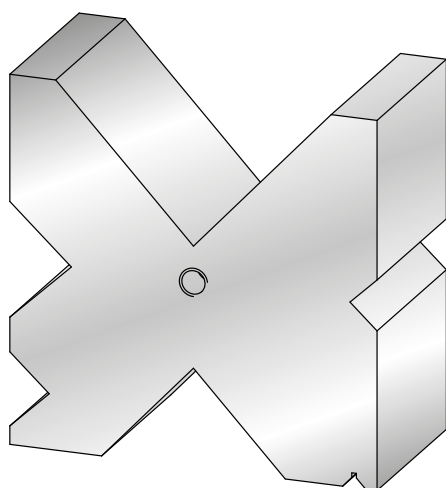
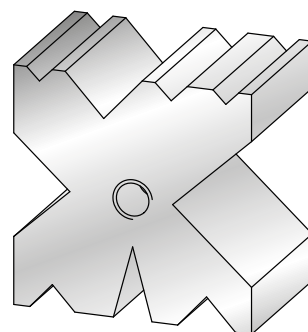


MATRICI MULTICAVA A RICHIESTA
MULTI V DIES ON REQUEST



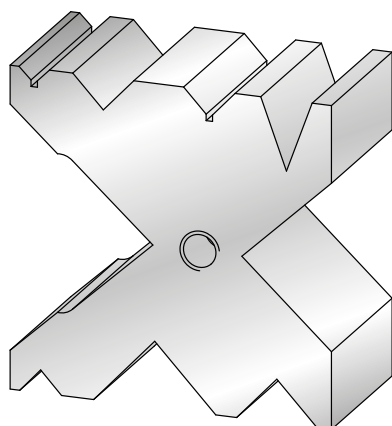
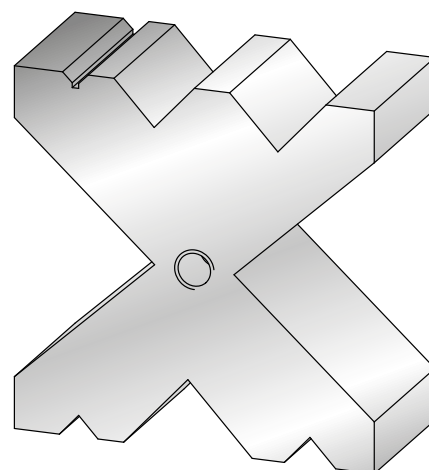
MATERIALI
MATERIALS

1.2312
C45
42CrM04



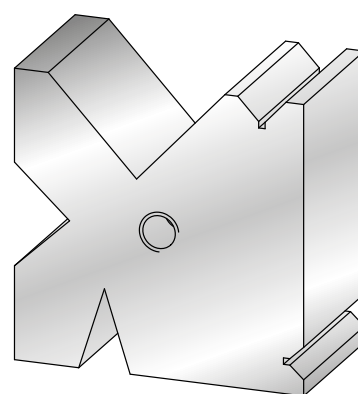
LAVORAZIONI
PROCESSING

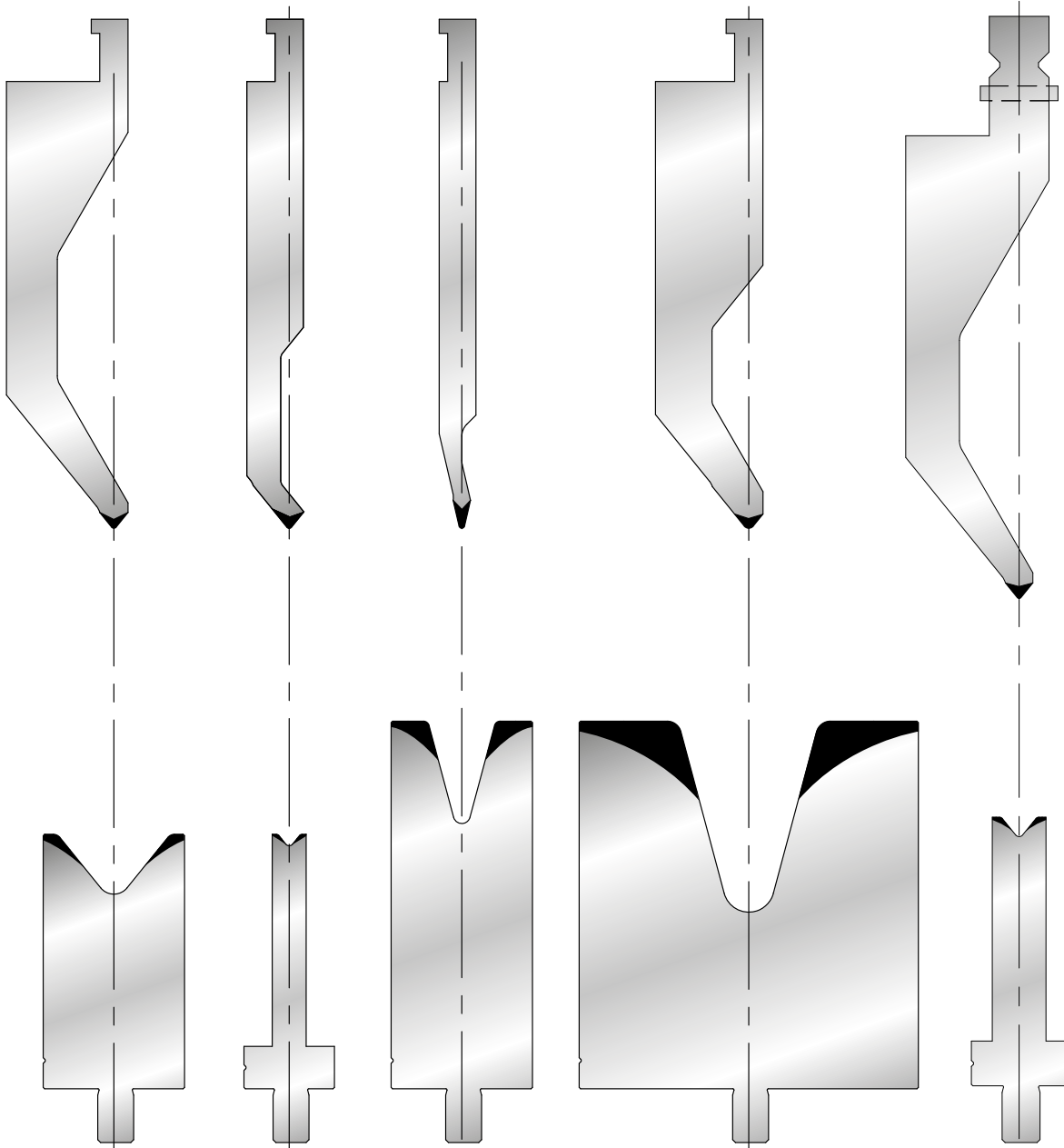
Temprato / *Hardened*
Bonificato nitrurato /
Tempered - nitrided
Piallato / *Planed*
Rettificato / *Ground*



LUNGHEZZE
LENGTHS (MM)

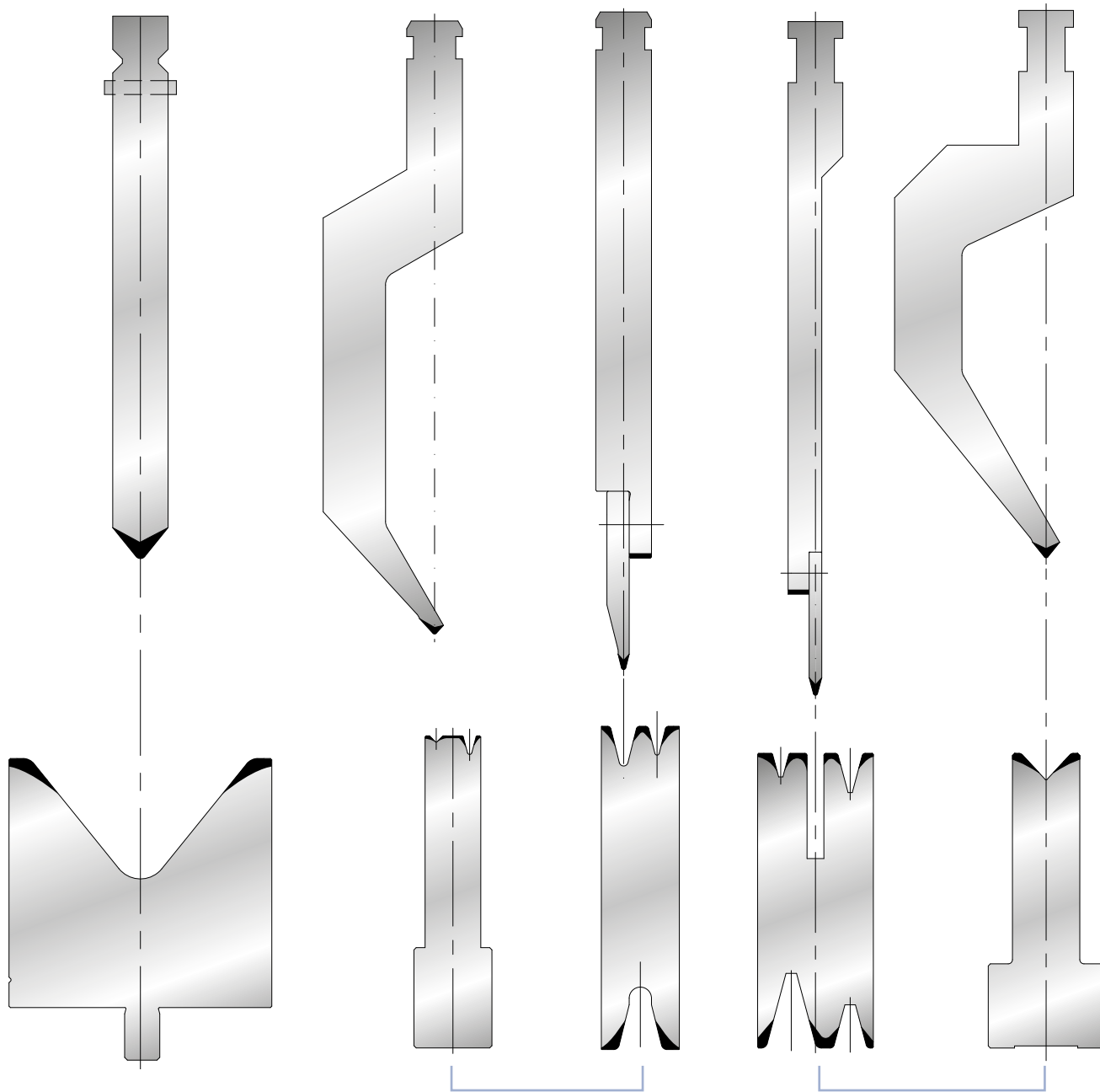
2000
3000
4000
6000
8000





LVD Style

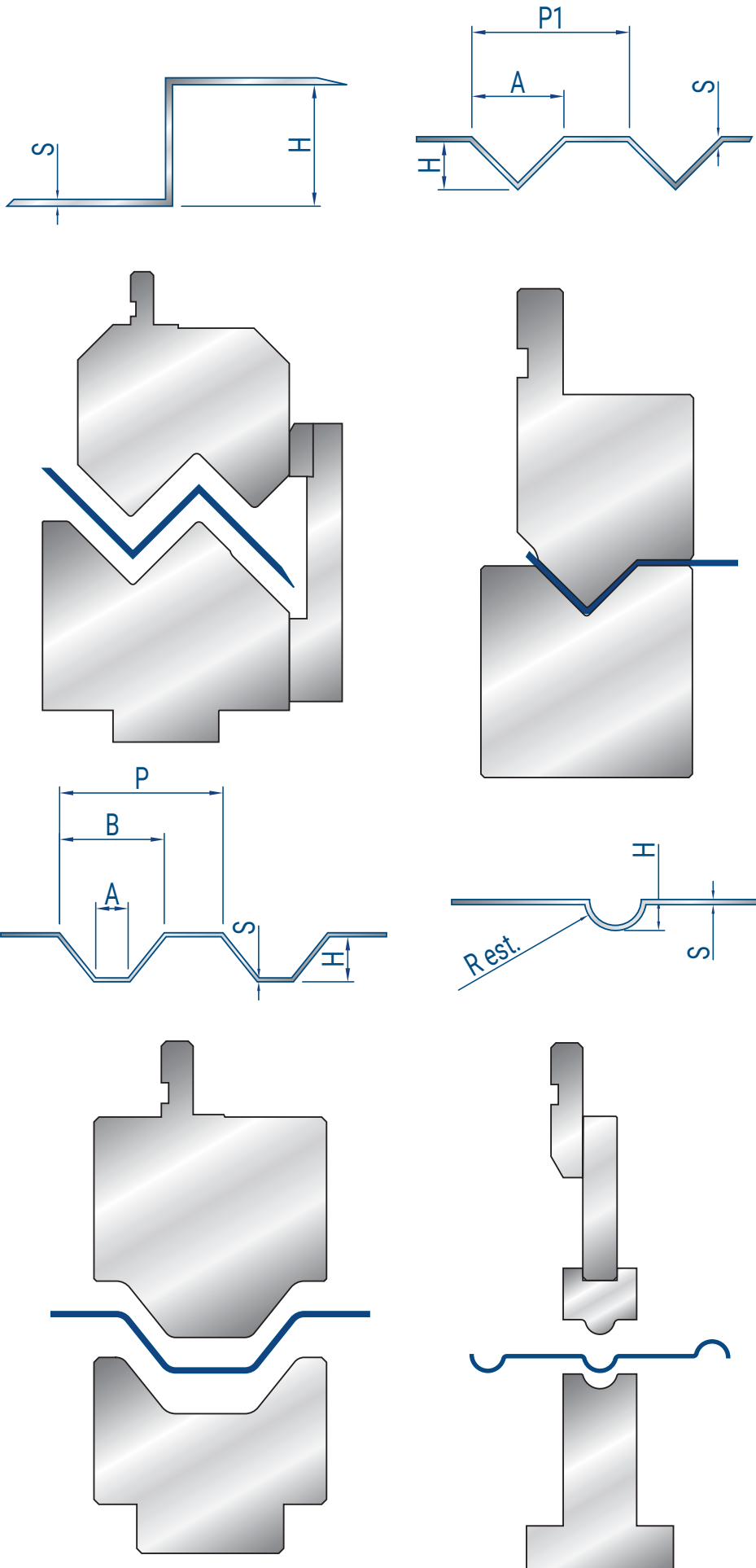
LVD Wila Style



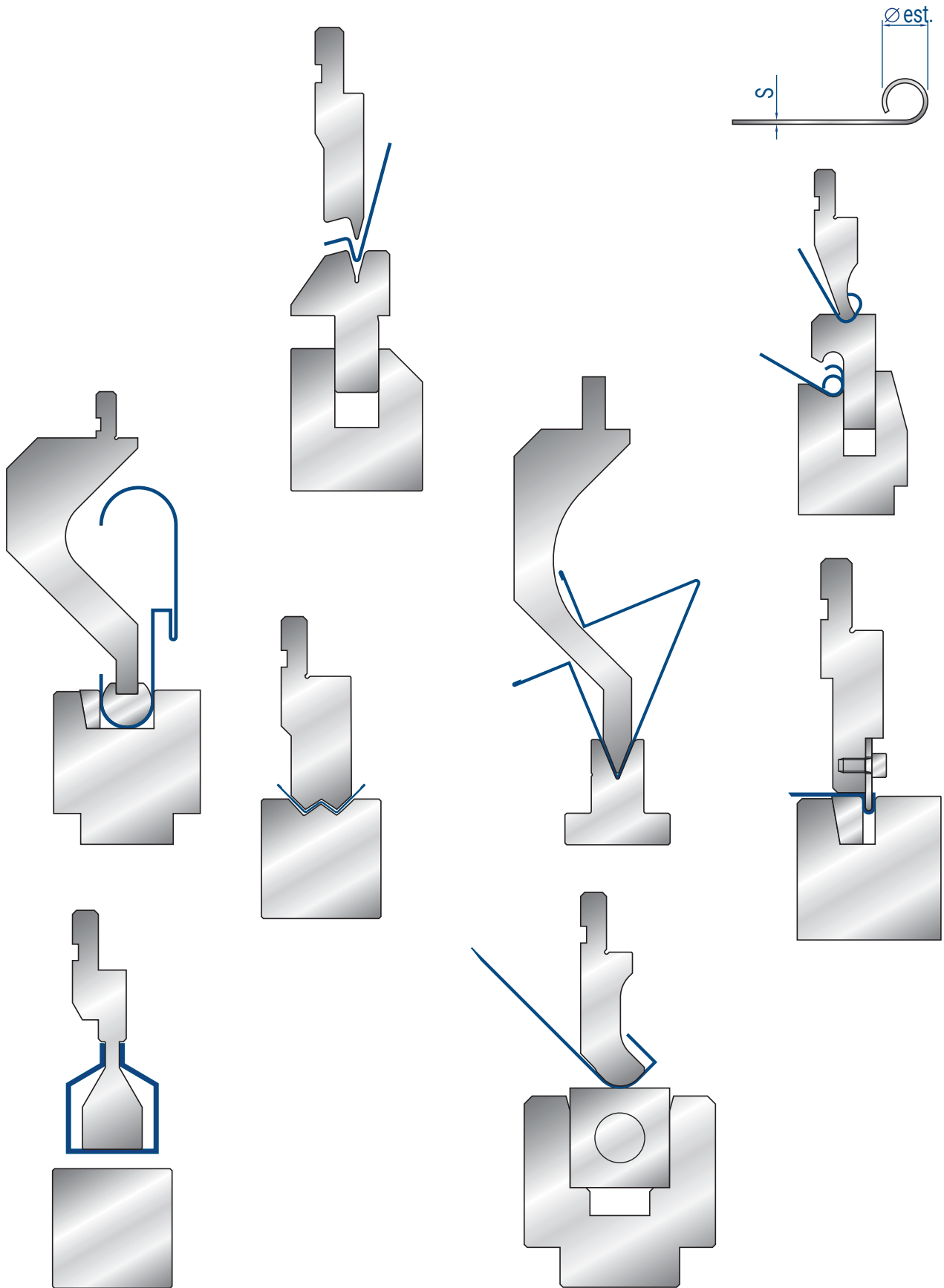
LVD - Wila Style

Weinbrenner Style

EHT Style



UTENSILI SPECIALI SU RICHIESTA
SPECIAL TOOLS ON REQUEST



MATERIALE TAGLIATO / CUT MATERIAL:

- Alluminio / *Aluminium*
- Ferro / *Mild steel*
- Acciaio inossidabile / *Stainless steel*
- Altro materiale / *Other material:*

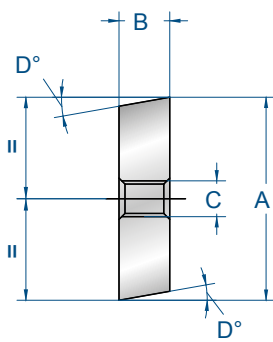
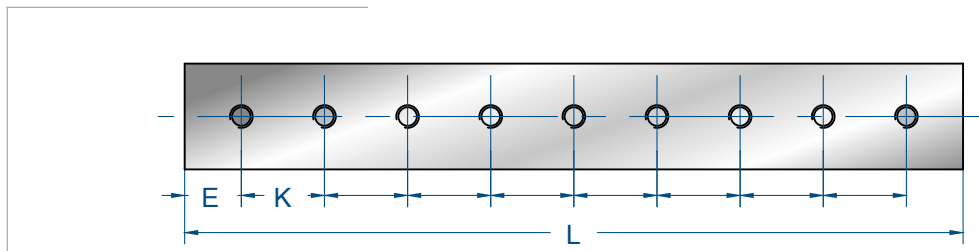
.....

MOD.....

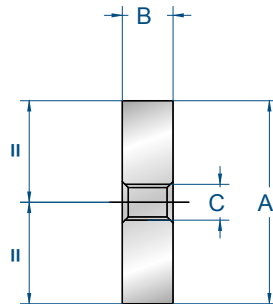
PR.....

QUOTA <i>DIMENSION</i>	MISURA (mm) <i>MEASURE (mm)</i>
A	
B	
C	
D	
E	
F	
H	
I	
K	
L	
N° fori / <i>N° holes</i>	

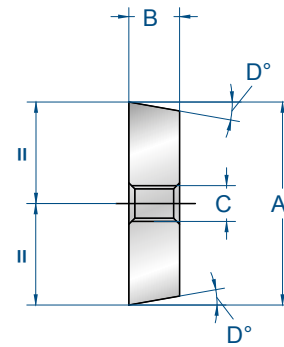
PROFILO / PROFILE



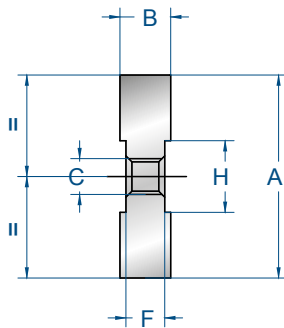
mod. 2000



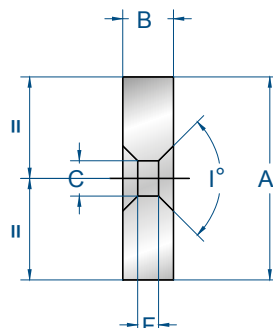
mod. 2001



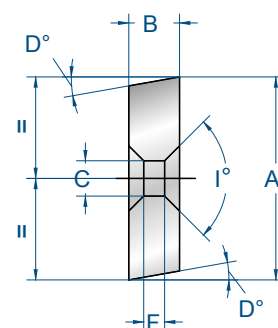
mod. 2002



mod. 2003



mod. 2004



mod. 2005



8201

FOSFATAZIONE

Trattamento superficiale che aumenta la resistenza alla corrosione

PHOSPHATING TREATMENT

Surface treatment able to increase the corrosion resistance

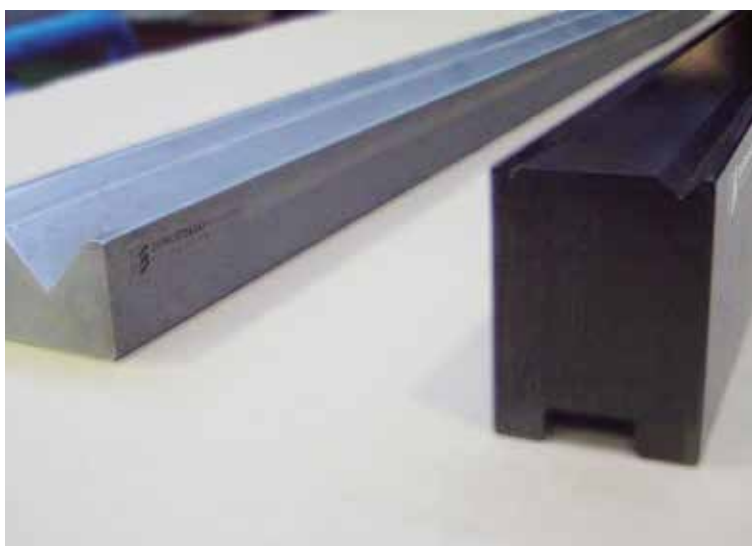
8205

NITRURAZIONE

Trattamento di indurimento superficiale che aumenta la resistenza all'usura, alla fatica e agli intagli.

NITRIDING TREATMENT

Surface hardening treatment able to increase the tool resistance to wear, to fatigue, to notches.



8202

NITRURAZIONE + FOSFATAZIONE

Indurimento superficiale + resistenza alla corrosione

NITRIDING TREATMENT + PHOSPHATING

Surface hardening + corrosion resistance

AMADA PROMECAM STYLE

PUNZONI / PUNCHES

Lunghezze standard <i>Standard lengths</i>	10	Punzoni 60° <i>Punches 60°</i>	22/25
Modifiche a richiesta <i>Modifications on request</i>	10/11	Punzoni 45° <i>Punches 45°</i>	26
Scarpette mobili <i>Moving horns</i>	11	Punzoni 35° <i>Punches 35°</i>	27
Punzoni 88° <i>Punches 88°</i>	12/19	Punzoni 30° <i>Punches 30°</i>	28/30
Punzoni 85° <i>Punches 85°</i>	20/21	Punzoni 26° <i>Punches 26°</i>	31
Punzoni 75° <i>Punches 75°</i>	22		

MATRICI / DIES

Lunghezze standard <i>Standard lengths</i>	34	Matrici 1V 45° <i>1V dies 45°</i>	47/48
Modifiche a richiesta <i>Modifications on request</i>	35	Matrici 1V 30° <i>1V dies 30°</i>	48
Supporti per matrici 2V <i>Die holders for 2V dies</i>	36	Matrici T H80 - 88° <i>T dies H80 - 88°</i>	50/51
Supporti per matrici 2V <i>Die holders for 2V dies</i>	36	Matrici T H80 - 85° <i>T dies H80 - 85°</i>	52/53
Supporti per matrici autocentranti <i>Die holders for self centering dies</i>	37	Matrici T H80 - 60° <i>T dies H80 - 60°</i>	54/55
Matrici 2V 88° <i>2V dies 88°</i>	38	Matrici T H80 - 45° <i>T dies H80 - 45°</i>	56/57
Matrici 2V 60° <i>2V dies 60°</i>	39	Matrici T H80 - 30° <i>T dies H80 - 30°</i>	58/59
Matrici 2V 30° <i>2V dies 30°</i>	39	Matrici T H120 - 88° <i>T dies H120 - 88°</i>	60/61
Matrici 2V autocentranti 88° <i>2V self centering dies 88°</i>	40	Matrici T H120 - 85° <i>T dies H120 - 85°</i>	62/63
Matrici 2V autocentranti 30° <i>2V self centering dies 30°</i>	41	Matrici T H120 - 60° <i>T dies H120 - 60°</i>	64/65
Matrici 3U <i>3U dies</i>	41	Matrici T H120 - 45° <i>T dies H120 - 45°</i>	66/67
Matrici 4V <i>4V dies</i>	42	Matrici T H120 - 30° <i>T dies H120 - 30°</i>	68/69
Matrici 1V 85° <i>1V dies 85°</i>	43	Supporto per inserti matrice <i>Die inserts holder</i>	70
Matrici 1V 80° <i>1V dies 80°</i>	44	Inserti matrici 88° <i>Die inserts 88°</i>	72
Matrici 1V 70° <i>1V dies 70°</i>	45	Inserti matrici 60° <i>Die inserts 60°</i>	73
Matrici 1V 60° <i>1V dies 60°</i>	46	Inserti matrici 30° <i>Die inserts 30°</i>	74

PIEGASCHIACCIA / FLATTENING HEMMING TOOLS

Piegaschiaccia <i>Flattening hemming tools</i>	76/77	Piegaschiaccia pneumatici <i>Pneumatic flattening hemming tool</i>	78
Tonnellaggi per schiacciatura <i>Hemming power</i>	78	Piegaschiaccia <i>Flattening hemming tools</i>	79/80

TRUMPF STYLE

PUNZONI / PUNCHES

Lunghezze standard <i>Standard lengths</i>	84	Punzoni 60° <i>Punches 60°</i>	94/95
Modifiche a richiesta <i>Modifications on request</i>	85	Punzoni 28° <i>Punches 28°</i>	96/98
Punzoni <i>Punches</i>	86/88	Punzoni 26° <i>Punches 26°</i>	99
Punzoni 86° <i>Punches 86°</i>	90/93	Pulsanti <i>Safety buttons</i>	100
Punzoni 80° <i>Punches 80°</i>	94		

MATRICI / DIES

Lunghezze standard <i>Standard lengths</i>	103	Matrici 1V H100 - 60° <i>1V dies H100 - 60°</i>	116
Modifiche a richiesta <i>Modifications on request</i>	104	Matrici 1V H100 - 30° <i>1V dies H100 - 30°</i>	117/119
Matrici <i>Dies</i>	105/107	Matrici 1V H100 - 30° R3 <i>1V dies H100 - 30° R3</i>	120/121
Matrici 1V H100 - 86° <i>1V dies H100 - 86°</i>	108/110	Matrici 1V H100 - 86° <i>1V dies H100 - 86°</i>	122/124
Matrici 1V H100 - 84° <i>1V dies H100 - 84°</i>	110/112	Matrici 1V H100 - 80° <i>1V dies H100 - 80°</i>	124/125
Matrici 1V H100 - 80° <i>1V dies H100 - 80°</i>	112/114	Matrici 1V H100 - 30° <i>1V dies H100 - 30°</i>	126/127
Matrici 1V H100/120 - 80° <i>1V dies H100/120 - 80°</i>	115	Matrici 1V H150 - 86° <i>1V dies H150 - 86°</i>	128/129
Matrici 1V H120 - 80° <i>1V dies H120 - 80°</i>	116	Matrici 1V H150 - 30° <i>1V dies H150 - 30°</i>	130/132

PIEGASCHIACCIA / FLATTENING HEMMING TOOLS

Accessorio piegaschiaccia <i>Flattening hemming tools accessory</i>	133/134	Piegaschiaccia <i>Flattening hemming tools</i>	135/137
--	----------------	---	----------------

WILA STYLE

PUNZONI / PUNCHES

Lunghezze standard <i>Standard lengths</i>	140	Punzoni 80° <i>Punches 80°</i>	143/144
Modifiche a richiesta <i>Modifications on request</i>	141	Punzoni 60° <i>Punches 60°</i>	146
Punzoni 86° <i>Punches 86°</i>	142	Punzoni 28° <i>Punches 28°</i>	147/148

MATRICI / DIES

Lunghezze standard <i>Standard lengths</i>	150	Matrici 86° <i>Dies 86°</i>	152/155
Modifiche a richiesta <i>Modifications on request</i>	151	Matrici 80° <i>Dies 86°</i>	156
		Matrici 30° <i>Dies 30°</i>	157/161

BYSTRONIC STYLE

PUNZONI / PUNCHES

Lunghezze standard <i>Standard lengths</i>	164	Punzoni 86° <i>Punches 86°</i>	168
Modifiche a richiesta <i>Modifications on request</i>	165	Punzoni 85° <i>Punches 85°</i>	169
Punzoni 88° <i>Punches 88°</i>	166	Punzoni 30° RFA (H175-H250) <i>Punches 30° RFA (H175-H250)</i>	170/171
Punzoni 30° R (H155) <i>Punches 30° R (H155)</i>	167	Punzoni 28° <i>Punches 28°</i>	172

MATRICI / DIES

Lunghezze standard <i>Standard lengths</i>	173	Matrici 1V 85° <i>1V dies 85°</i>	176
Modifiche a richiesta <i>Modifications on request</i>	173	Matrici 1V 60° <i>1V dies 60°</i>	177
Matrici 1V 88° <i>1V dies 88°</i>	174/175	Matrici 1V 30° <i>1V dies 30°</i>	178/179

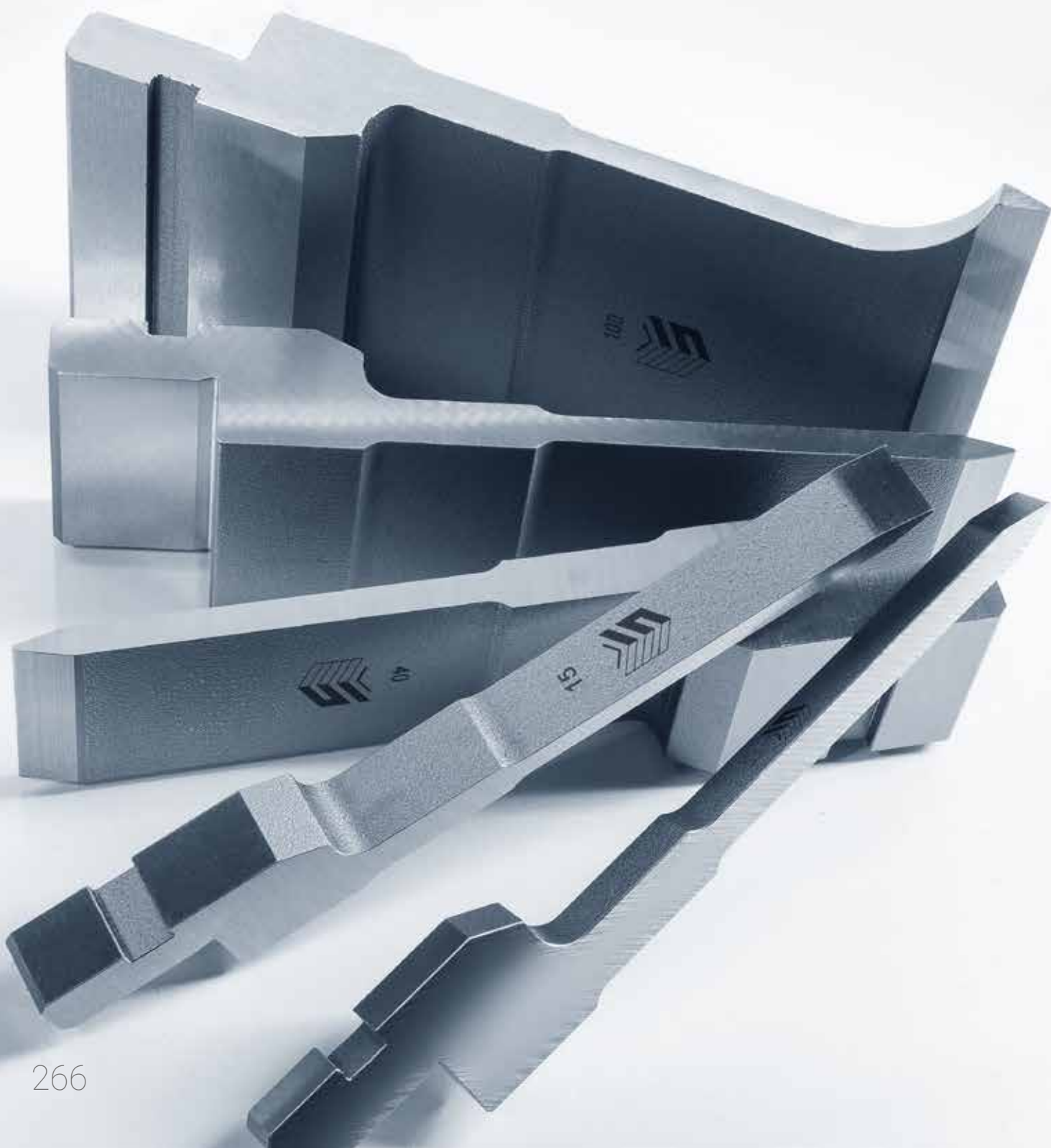
PIEGASCHIACCIA / FLATTENING HEMMING TOOLS

Piegaschiaccia <i>Flattening hemming tools</i>	180/181
---	----------------

ACCESSORI / ACCESSORIES

Supporti per inserti raggiati <i>Radius inserts holders</i>	184/186	Staffe <i>Clamps</i>	229/233
Supporti per inserti raggiati piccoli <i>Small radius inserts holders</i>	187	Adattatori generici per utensili superiori Amada-Promecam <i>Generic upper adapters for Amada-Promecam style tooling</i>	234
Inserti raggiati piccoli <i>Small radius inserts</i>	188	Adattatori specifici per utensili superiori Amada-Promecam <i>Specific upper adapters for Amada-Promecam style tooling</i>	235/237
Inserti raggiati <i>Radius inserts</i>	189/193	Adattatori inferiori <i>Lower Adapters</i>	238/239
Inserti quadri e accessori <i>Flattening inserts and accessories</i>	194	Adattatori per utensili inferiori stile Amada-Promecam <i>Lower adapters for lower tooling Amada-Promecam style</i>	240
Contenitori per inserti a Z <i>Offset tool holders</i>	195	Attacchi su richiesta <i>Tangs on request</i>	241/242
Tabella inserti a Z <i>Offset tool holders</i>	196	Supporti inferiori per matrici regolabili <i>Lower holder for adjustable dies</i>	243
Inserti a Z - 140° - 150° - 160° <i>Joggle tools - 140° - 150° - 160°</i>	197	Matrici regolabili <i>Adjustable dies</i>	244/245
Inserti a Z - 90° <i>Joggle tools - 90°</i>	198/203	Protezione dalle marcature <i>Protection against marks</i>	246
Contenitori e inserti in nylon <i>Nylon inserts and holder</i>	204	Complementi ausiliari <i>Auxiliary complements</i>	248
Contenitori e inserti in poliuretano <i>Polyurethane inserts and holder</i>	205/206	Goniometro manuale <i>Manual protractor</i>	249
Sistema Eurogrip <i>Eurogrip system</i>	207/226	Calibro digitale <i>Digital gauge</i>	250/251
Intermediari registrabili <i>Adjustable intermediates</i>	227/228		
Intermediari fissi <i>Fixed intermediates</i>	228		

Armadi porta utensili <i>Tooling cabinets</i>	252/253	Utensili speciali su richiesta <i>Special tools on request</i>	258/259
Matrici multicava a richiesta <i>Multi V dies on request</i>	255	Lame per cesoia <i>Shear blades</i>	260/261
Utensili su richiesta <i>Tools on request</i>	256/257	Trattamenti termici su richiesta <i>Special heat treatments on request</i>	262





EUROSTAMP TOOLING
the Italian excellence



EUROSTAMP TOOLING
the Italian excellence

Via dell'Industria 11
29010 Gagnano Trebbiense
(PC-ITALY)

Tel. +39 0523 489 954
Tel. +39 0523 499 254
Fax +39 0523 400 490
info@eurostampsrl.it
www.eurostampsrl.it